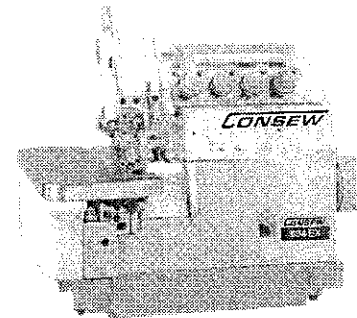
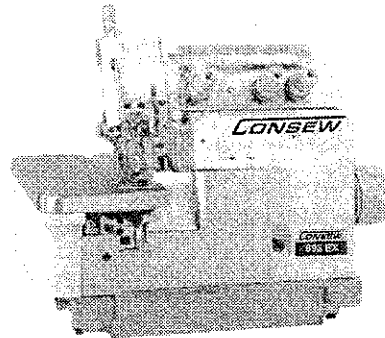


Since 1898
CONSEW®

— CONSOLIDATED SEWING MACHINE CORP.

PARTS MANUAL FOR Models 693EX & 694EX



Safety Stitch & Overedging Machines



PARTS MANUAL FOR Models 693EX & 694EX

TABLE OF CONTENTS

	PAGE
A. MACHINE BED FRAME -----	2-3
B. MACHINE BED FRAME -----	4-5
C. MACHINE BED FRAME -----	6-7
D. MISCELLANEOUS THREAD EYELETS -----	8-9
E. CRANKSHAFT DRIVE MECHANISM -----	10-11
F. THREAD TENSION MECHANISM -----	12-13
G. NEEDLE DRIVE MECHANISM -----	14-15
H. UPPER LOOPER DRIVE MECHANISM -----	16-17
I. LOWER LOOPER DRIVE MECHANISM-----	18-19
J. FEED MECHANISM -----	20-21
K. FEED MECHANISM-----	22-23
L. KNIFE DRIVE MECHANISM-----	24-25
M. PRESSER FOOT MECHANISM -----	26-27
N. LUBRICATION MECHANISM-----	28-29
O. LUBRICATION MECHANISM-----	30-31
P. PARTS FOR SEMI-SUBMERGED INSTALLATION-----	32-33
Q. ACCESSORIES -----	34-35

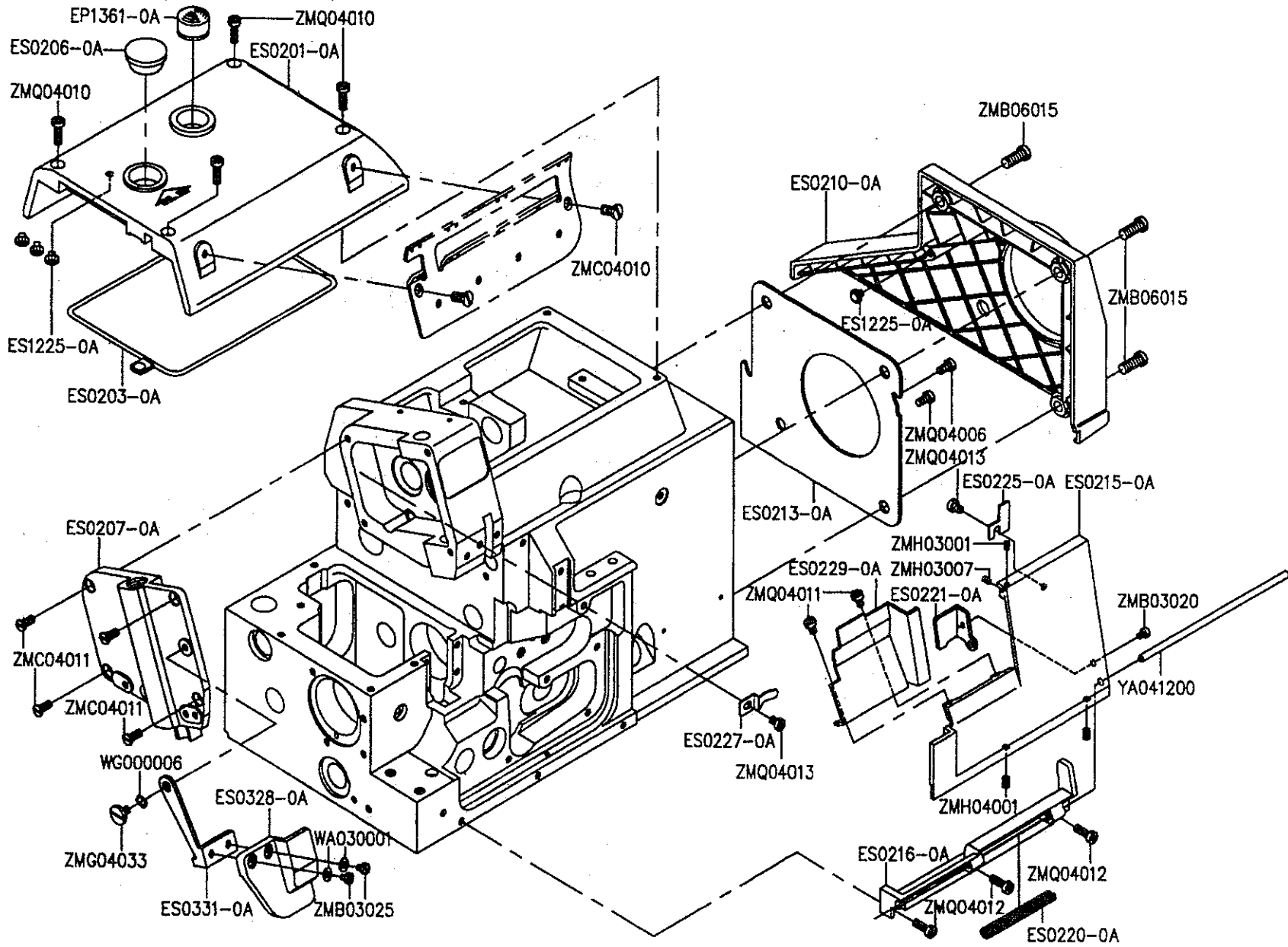
A. MACHINE BED FRAME

Consew 693EX/694EX

Part No	Name of Part	Q'TY	Part No	Name of Part	Q'TY
A1019-0A	PIN -----	4	XA300015	OIL WICK -----	1
ES1015-0A	NAME PLATE -----	1	XA300120	OIL WICK -----	1
ES1018-0A	SERIAL NUMBER	1	XB400038	FELT -----	1
ES0108-0A	PIPE -----	2	XB400040	FELT -----	1
ES0109-0A	PIN -----	1	XP400037	TUBE -----	1
ES0111-0A	BRACKET ASSEMBLY	1	YA070100	PIN -----	1
ES0113-0A	BED PIN -----	4	YD050010	PIN -----	1
ES0116-0A	OIL MARK -----	1	YD050014	PIN -----	1
ES0117-0A	MARK -----	3	YD050018	PIN -----	1
ES0318-0A	LATCH -----	1	ZMB03507	SCREW (M3.5-0.6x4.5) ---	1
ES0320-0A	PLATE -----	1	ZMC04007	SCREW (M4-0.7x7.3) -----	2
ES1016-01B	NAME PLATE -----	1	ZMC04010	SCREW (M4-0.7x7.5) -----	2
ES1115-0A	PLUG FILTER-----	1	ZMH04001	SCREW (M4-0.7x4) -----	1
ES1223-0A	BRACKET (FRONT)	1	ZMJ06015	SCREW (M6-1.0x25) -----	2
ES1225-0A	CUSHION RUBBER	2	ZMQ04011	SCREW (M4-0.7x6) -----	1
ES1226-0A	BRACKET (REAR) -----	1	ZMQ04012	SCREW (M4-0.7x12) -----	3
ES1903-0A	PLUG -----	1	ZMQ04014	SCREW (M4-0.7x10) -----	5
ES2220-0C	CLAMP -----	2	WA040014	WASHER -----	1
ES2317-0A	PIPE -----	1			
ES2319-0A	PLUG -----	1			
ES2341-0A	OIL LEVER GAUGE	1			
ES2401-0A	SILICONE OIL	1			
ES2402-0A	COVER -----	1			
ES2406-0A	THREAD GUIDE -----	1			
ES2409-0A	SILICONE OIL	1			
ES2410-0A	COVER -----	1			
ES2416-0A	NEEDLE THREAD	1			
ES2420-0A	PIN -----	1			
ES2426-0A	PLATE -----	1			
ES6005-0A	NEEDLE GUARD	1			
OBM00040	PLUG -----	1			

B. MACHINE BED FRAME

Consew 693EX/694EX



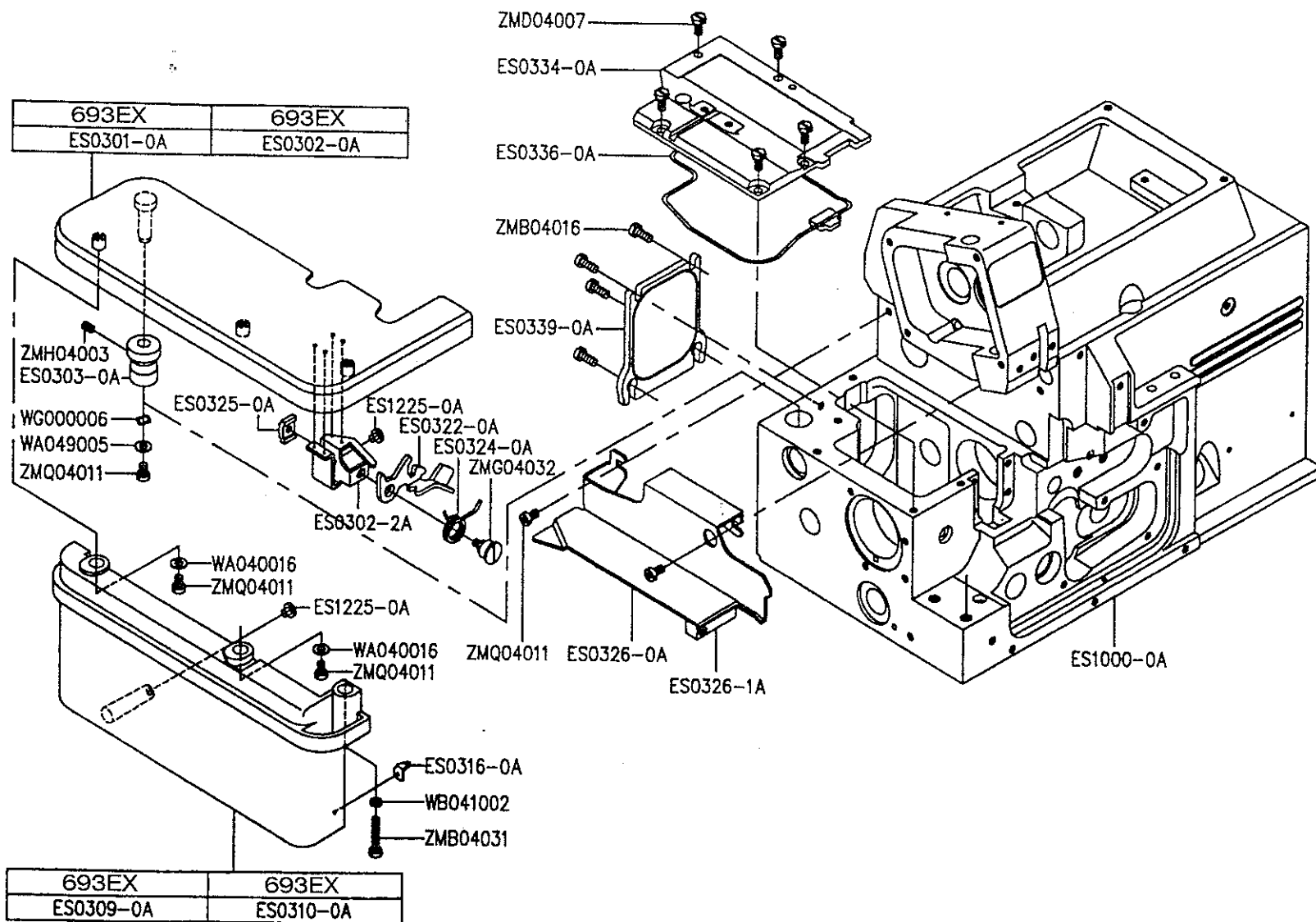
A. MACHINE BED FRAME

Consew 693EX/694EX

Part No	Name of Part	Q,TY
EP1361-0A	OIL SIGHT WINDOW-----	1
ES0201-0A	TOP COVER-----	1
ES0203-0A	GASKET-----	1
ES0206-0A	PLUG-----	1
ES0207-0A	SIDE COVER-----	1
ES0210-0A	BELT COVER-----	1
ES0213-0A	FAN COVER-----	1
ES0215-0A	FRONT COVER (RIGHT)-----	1
ES0216-0A	HINGE-----	1
ES0220-0A	SPRING-----	1
ES0221-0A	LATCH-----	1
ES0225-0A	LATCH-----	1
ES0227-0A	FLAT SPRING-----	1
ES0229-0A	FRONT COVER (LEFT)-----	1
ES0328-0A	EYE GUARD-----	1
ES0331-0A	BRACKET-----	1
ES1225-0A	CUSHION RUBBER-----	4
WA030001	WASHER-----	2
WG000006	WASHER-----	1
YA041200	PIN-----	1
ZMB03020	SCREW (M3-0.5x5)-----	1
ZMB03025	SCREW (M3-0.5x6)-----	2
ZMB06015	SCREW (M6-1.0x14)-----	3
ZMC04010	SCREW (M4-0.7x7.5)-----	2
ZMC04011	SCREW (M4-0.7x10)-----	4
ZMG04033	SCREW (M4-0.7x3.8)-----	1
ZMH03001	SCREW (M3-0.5x4)-----	1
ZMH03007	SCREW (M3-0.5x12)-----	1
ZMH04001	SCREW (M4-0.7x4)-----	2
ZMQ04006	SCREW (M4-0.7x8)-----	2
ZMQ04011	SCREW (M4-0.7x6)-----	2
ZMQ04012	SCREW (M4-0.7x12)-----	3
ZMQ04013	SCREW (M4-0.7x5)-----	2
ZMQ04010	SCREW (M4-0.7x16)-----	4

C. MACHINE BED FRAME

Consew 693EX/694EX



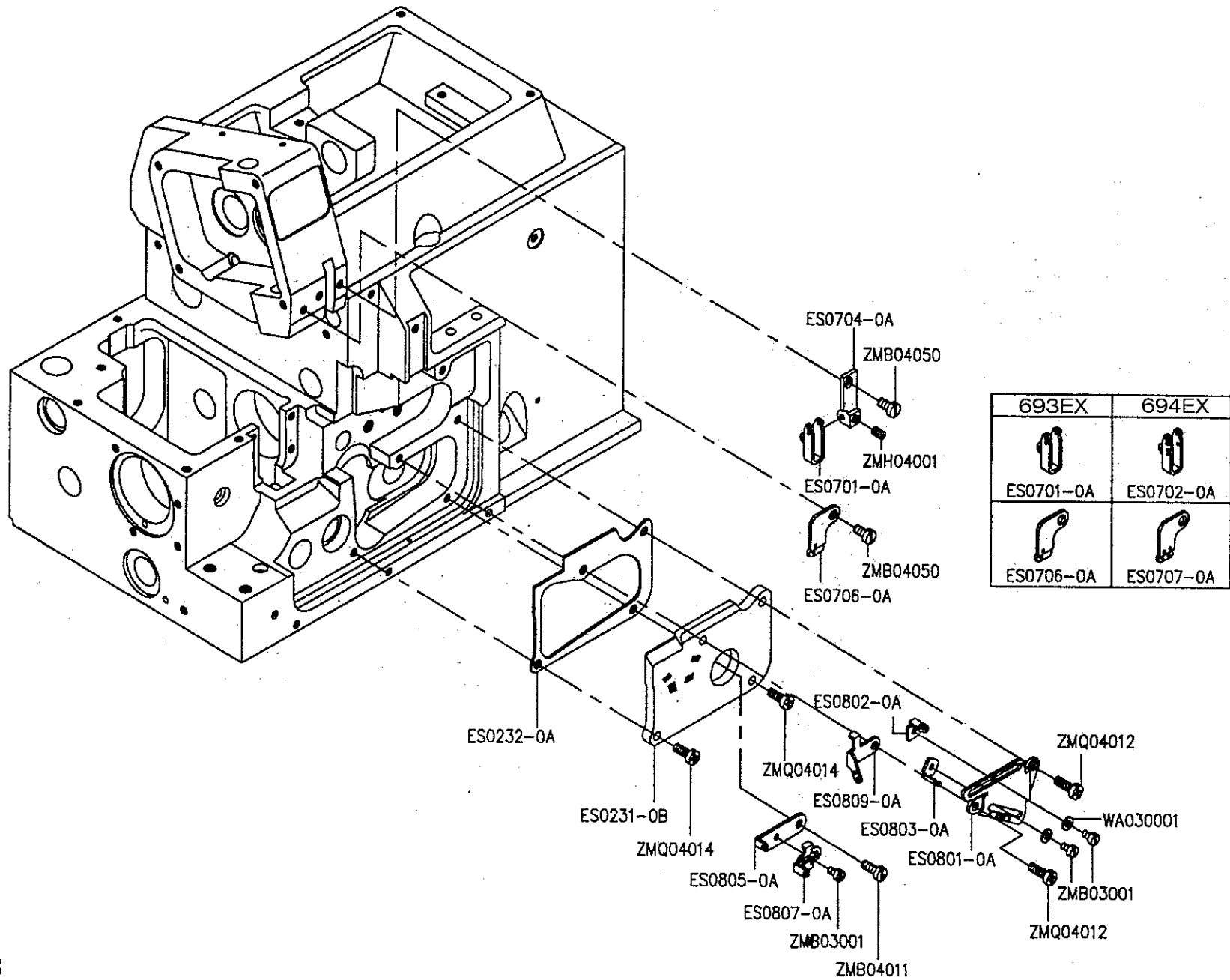
A. MACHINE BED FRAME

Consew 693EX/694EX

Part No	Name of Part	Q'TY	Notes
ES0301-0A	CLOTH PLATE (WIDE) -----	1	693EX
ES0302-0A	CLOTH PLATE (NARROW) -----	1	694EX
ES0302-2A	PLATE -----	1	
ES0303-0A	BUSHING -----	1	
ES0309-0A	SIDE COVER -----	1	693EX
ES0310-0A	SIDE COVER -----	1	694EX
ES0316-0A	LATCH -----	1	
ES0322-0A	LEVER -----	1	
ES0324-0A	SPRING -----	1	
ES0325-0A	BRACKET -----	1	
ES0326-0A	FABRIC GUARD -----	1	
ES0326-1A	SWAB -----	1	
ES0334-0A	BED COVER PLATE ASSEMBLY ---	1	
ES0336-0A	GASKET -----	1	
ES0339-0A	COVER PLATE -----	1	
ES1000-0A	MACHINE BED COMPLETE -----	1	
ES1225-0A	CUSHION RUBBER -----	2	
WA040016	WASHER -----	2	
WA049005	WASHER -----	1	
WB041002	SPRING WASHER -----	1	
WG000006	WASHER -----	1	
ZMB04016	SCREW (M4-0.7x10) -----	4	
ZMB04031	SCREW (M4-0.7x20) -----	1	
ZMD04007	SCREW (M4-0.7x8) -----	4	
ZMG04032	SCREW (M4-0.7x5) -----	1	
ZMH04003	SCREW (M4-0.7x5) -----	1	
ZMQ04011	SCREW (M4-0.7x6) -----	5	

D. MISCELLANEOUS THREAD EYELETS

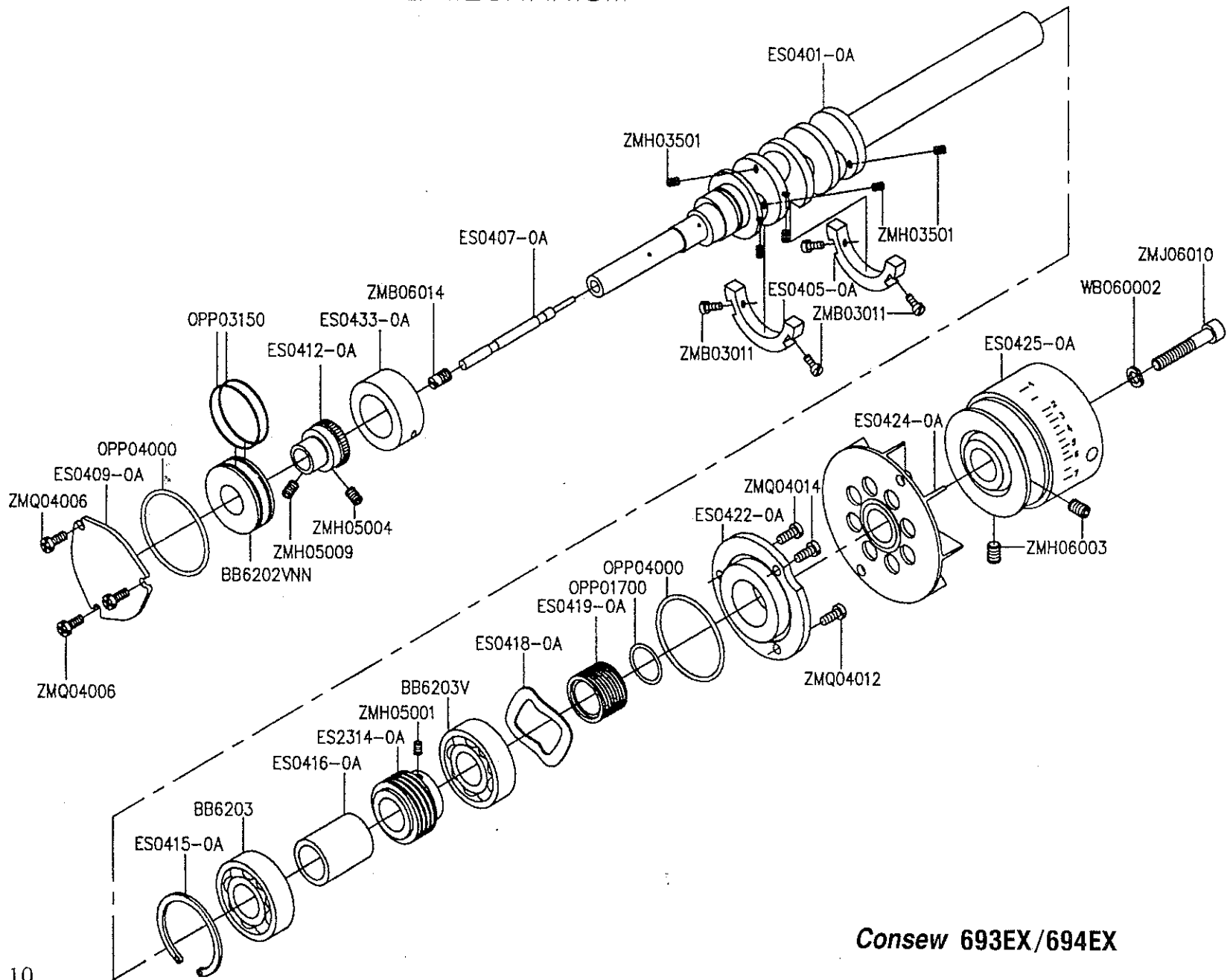
Consew 693EX/694EX



D. MISCELLANEOUS THREAD EYELETS

Part No	Name of Part	Q'TY	Notes
ES0231-0B	COVER -----	1	
ES0232-0A	GASKET-----	1	
ES0701-0A	THREAD EYELET -----	1	693EX
ES0702-0A	THREAD EYELET -----	1	694EX
ES0704-0A	BRACKET -----	1	
ES0706-0A	THREAD EYELET -----	1	693EX
ES0707-0A	THREAD EYELET -----	1	694EX
ES0801-0A	BRACKET -----	1	
ES0802-0A	THREAD GUIDE -----	1	
ES0803-0A	THREAD GUIDE -----	1	
ES0805-0A	THREAD GUIDE -----	1	
ES0807-0A	THREAD GUIDE -----	1	
ES0809-0A	THREAD GUIDE -----	1	
WA030001	WASHER -----	2	
ZMB03001	SCREW (M3-0.5x4) ----	3	
ZMB04011	SCREW (M4-0.7x8) ----	1	
ZMB04050	SCREW (M4-0.7x8) ----	2	
ZMH04001	SCREW (M4-0.7x4) ----	1	
ZMQ04012	SCREW (M4-0.7x12) ---	2	
ZMQ04014	SCREW (M4-0.7x10) ---	2	

E. CRANKSHAFT DRIVE MECHANISM



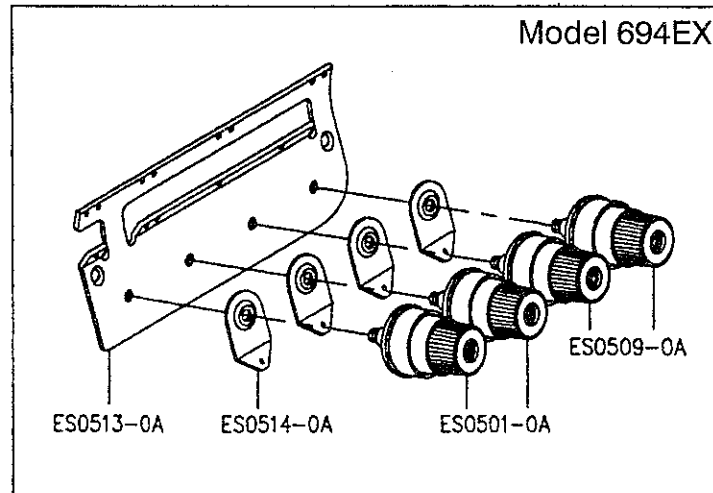
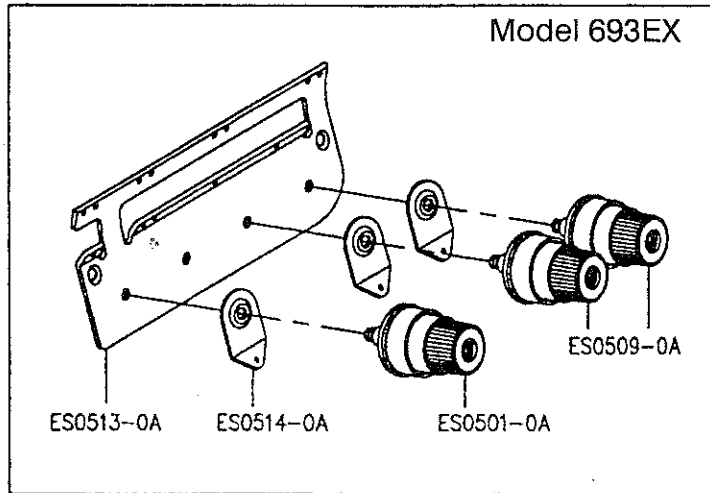
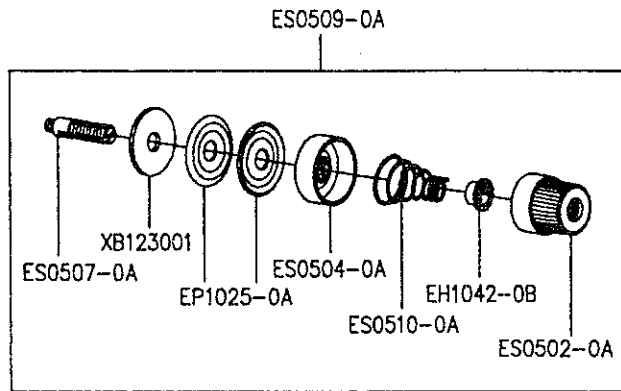
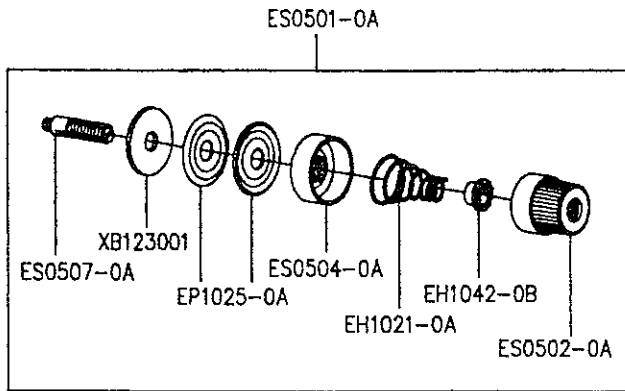
Consew 693EX/694EX

E. CRANKSHAFT DRIVE MECHANISM

Part No	Name of Part	Q'TY
BB6202VN	BALL BEARING -----	1
BB6203	BALL BEARING -----	1
BB6203V	BALL BEARING -----	1
ES0401-0A	CRANKSHAFT -----	1
ES0405-0A	BALANCE WEIGHT -----	2
ES0407-0A	PIN -----	1
ES0409-0A	COVER -----	1
ES0412-0A	BALL BEARING COMPLETE ----	1
ES0415-0A	RING -----	1
ES0416-0A	RING -----	1
ES0418-0A	WASHER -----	1
ES0419-0A	OIL SEAL -----	1
ES0422-0A	BALL BEARING RETAINER ----	1
ES0424-0A	FAN COMPLETE -----	1
ES0425-0A	MACHINE PULLEY -----	1
ES0433-0A	RING -----	1
ES2314-0A	WORM -----	1
OPP01700	O RING -----	1
OPP03150	O RING -----	2
OPP04000	O RING -----	1
WB060002	SPRING WASHER -----	1
ZMB03011	SCREW (M3-0.5x8) -----	4
ZMB06014	SCREW (M6-1.0x6) -----	1
ZMH03501	SCREW (M3.5-0.6x3) -----	5
ZMH05001	SCREW (M5-0.8x5) -----	1
ZMH05004	SCREW (M5-0.8x10) -----	1
ZMH05009	SCREW (M5-0.8x5) -----	1
ZMH06003	SCREW (M5-1.0x8) -----	2
ZMJ06010	SCREW (M6-1.0x35) -----	1
ZMQ04006	SCREW (M4-0.7x8) -----	3
ZMQ04014	SCREW (M4-0.7x10) -----	3

F. THREAD TENSION MECHANISM

Consew 693EX/694EX



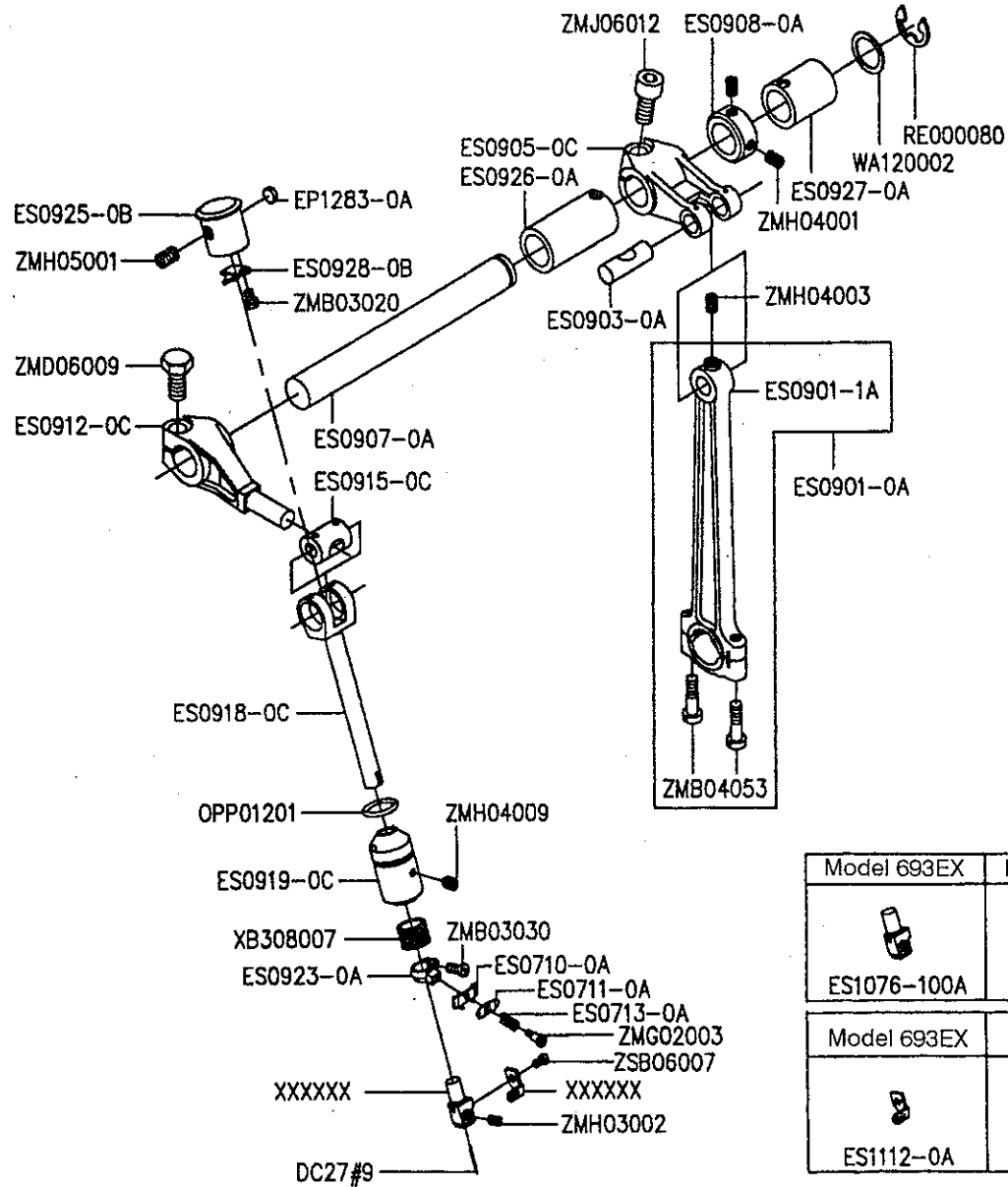
F. THREAD TENSION MECHANISM





Part No	Name of Part	Q'TY
EH1021-0A	SPRING (HEAVY) -----	2
EP1025-0A	TENSION DISC -----	8
ES0501-0A	THREAD TENSION COMPLETE ----	2
ES0502-0A	POST NUT -----	4
ES0503-0A	SPRING BUSHING -----	4
ES0504-0A	CUP -----	4
ES0507-0A	SCREW STUD -----	4
ES0509-0A	THREAD TENSION COMPLETE ----	2
ES0510-0A	SPRING (MEDIUM) -----	2
ES0513-0A	THREAD EYELET -----	1
ES0514-0A	TENSION GUIDE -----	4
XB123001	FELT -----	4

Notes: Model 693EX, Model 694EX -- ES0501-0A

G. NEEDLE DRIVE MECHANISM

Consew 693EX/694EX



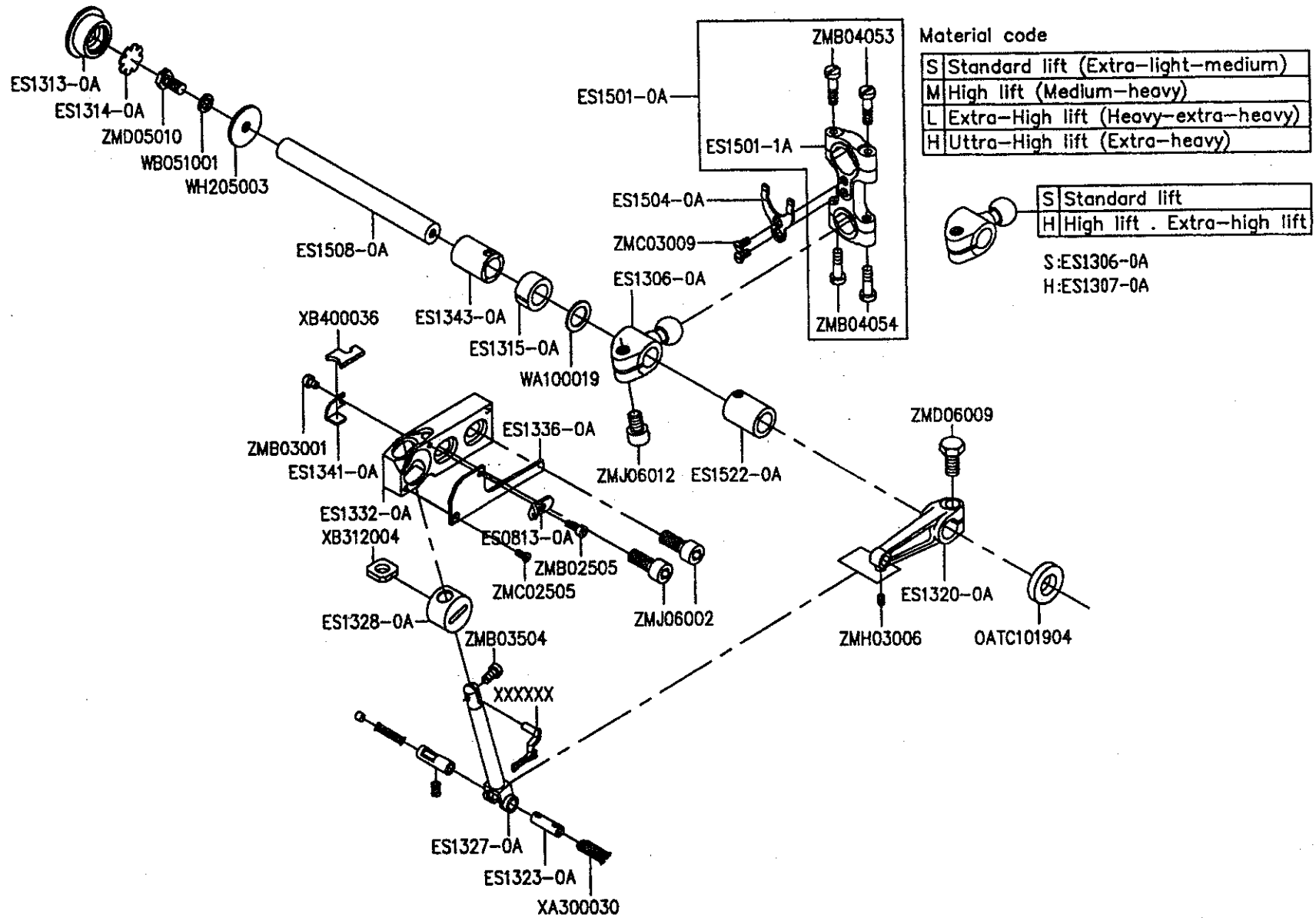
Model 693EX	Model 693EX
	
ES1076-100A	ES1076-220A
Model 693EX	Model 694EX
	
ES1112-0A	ES1117-0A

G. NEEDLE DRIVE MECHANISM

Part No	Name of Part	Q'TY	NOTES
DC27#9	NEEDLE -----	2	
EP1283-0A	RUBBER SEAT -----	1	
ES0710-0A	BRACKET -----	1	
ES0711-0A	THREAD RETAINER -----	1	
ES0713-0A	SPRING -----	1	
ES0901-0A	CONNECTION -----	1	
ES0901-1A	CONNECTION -----	1	
ES0903-0A	PIN -----	1	
ES0905-0C	CRANK -----	1	
ES0907-0A	SHAFT -----	1	
ES0908-0A	COLLAR -----	1	
ES0912-0C	LEVER -----	1	
ES0915-0C	SHAFT -----	1	
ES0918-0C	NEEDLE BAR -----	1	
ES0919-0C	BUSHING -----	1	
ES0923-0A	RING -----	1	
ES0925-0B	PLUG -----	1	
ES0926-0A	BUSHING -----	1	
ES0927-0A	BUSHING -----	1	
ES0928-0B	PLATE -----	1	
ES1076-100A	NEEDLE HOLDER ASSEMBLY ----	1	693EX
ES1076-220A	NEEDLE HOLDER ASSEMBLY ----	1	694EX
ES1112-0A	THREAD GUIDE -----	1	693EX
ES1117-0A	THREAD GUIDE -----	1	694EX
OPP01201	O RING -----	1	
RE000080	E RING -----	1	
WA120002	WASHER -----	1	
XB308007	FELT -----	1	
ZMB03020	SCREW (M3-0.5x5) -----	1	
ZMB03030	SCREW (M3-0.5x5.5) -----	1	
ZMB04053	SCREW (M4-0.7x16) -----	2	
ZMD06009	SCREW (M6-1.0x12) -----	1	
ZMG02003	SCREW (M2-0.4x3) -----	1	
ZMH03002	SCREW (M3-0.5x3) -----	2	693EX
ZMH04001	SCREW (M4-0.7x4) -----	2	
ZMH04003	SCREW (M4-0.7x5) -----	1	
ZMH04009	SCREW (M4-0.7x5) -----	1	
ZMH05001	SCREW (M5-0.8x5) -----	1	
ZMJ06012	SCREW (M6-0.75x12) -----	1	
ZSB06007	SCREW (3/32-56x3) -----	1	

H. UPPER LOOPER DRIVE MECHANISM

Consew 693EX/694EX

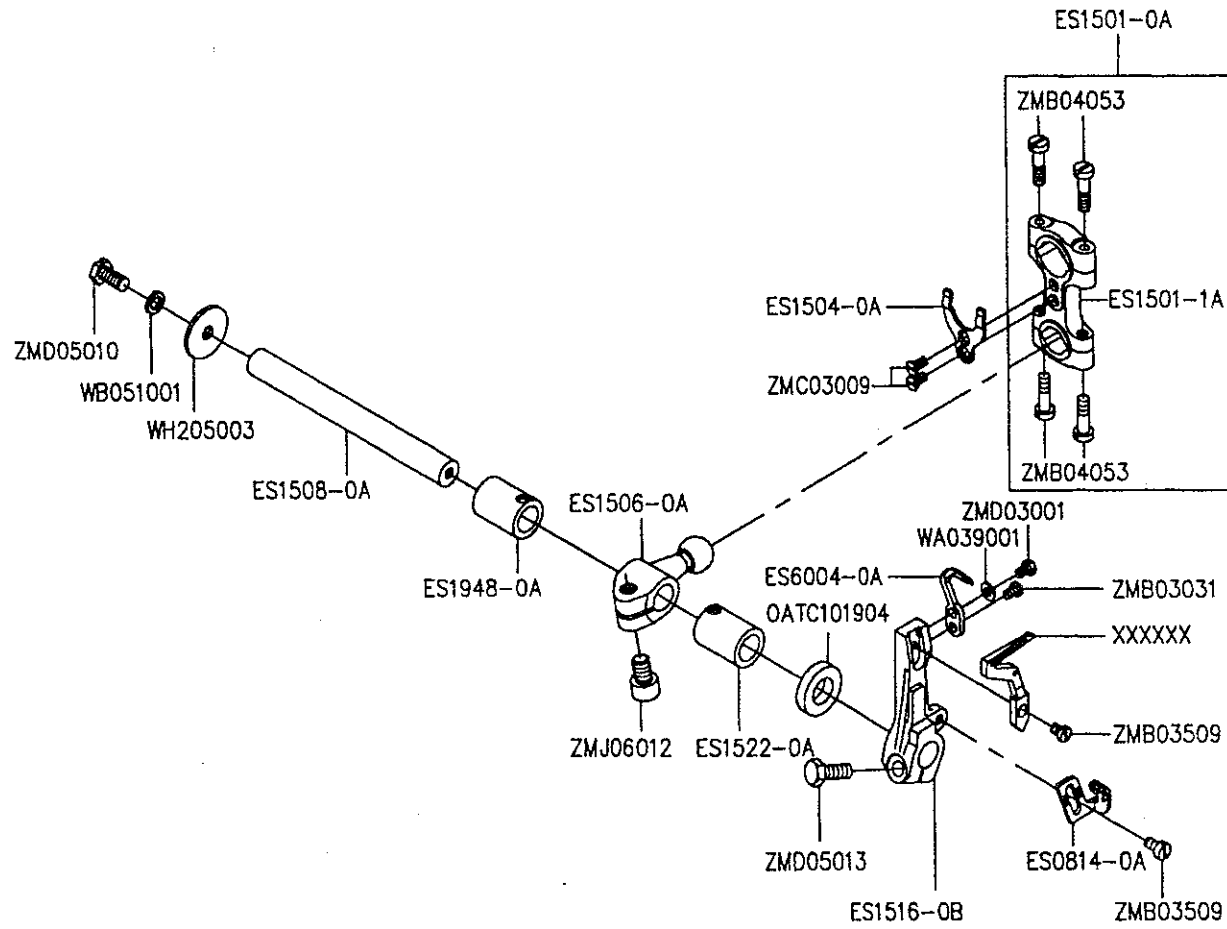


H. UPPER LOOPER DRIVE MECHANISM

Part No	Name of Part	Q'TY
ES0813-0A	--- TENSION GUIDE -----	1
ES1306-0A	--- CARNK -----	1
ES1307-0A	--- CARNK -----	1
ES1313-0A	--- PLUG -----	1
ES1314-0A	--- FILTER -----	1
ES1315-0A	--- SPACER -----	1
ES1320-0A	--- LEVER -----	1
ES1323-0A	--- PIN -----	1
ES1327-0A	--- UPPER LOOPER HOLDER -----	1
ES1328-0A	--- GUIDE/UPPER LOOPER HOLDER ---	1
ES1332-0A	--- BASE/UPPER LOOPER HOLDER ----	1
ES1336-0A	--- COVER -----	1
ES1341-0A	--- PLATE -----	1
ES1343-0A	--- BUSHING -----	1
ES1501-0A	--- CONNECTION -----	1
ES1501-1A	--- CONNECTION -----	1
ES1504-0A	--- GUIDE -----	1
ES1508-0A	--- SHAFT -----	1
ES1522-0A	--- BUSHING -----	1
OATC101904	--- OIL SEAL -----	1
WA100019	--- WASHER -----	1
WB051001	--- SPRIN WASHER -----	1
WH205003	--- WASHER -----	1
XA300030	--- OIL WICK -----	1
XB312004	--- FELT -----	1
XB400036	--- FELT -----	1
ZMB02505	--- SCREW (M2.5-0.45x6) -----	1
ZMB03001	--- SCREW (M3-0.5x4) -----	1
ZMB03504	--- SCREW (M3.5-0.6x6) -----	1
ZMB04053	--- SCREW (M4-0.7x16) -----	2
ZMB04054	--- SCREW (M4-0.7x13) -----	2
ZMC02505	--- SCREW (M2.5-0.45x4) -----	1
ZMC03009	--- SCREW (M3-0.5x5) -----	2
ZMD05010	--- SCREW (M5-0.8x10) -----	1
ZMD06009	--- SCREW (M6-1.0.7x12) -----	1
ZMH03006	--- SCREW (M3-0.5x4) -----	1
ZMJ06002	--- SCREW (M6-1.0x15) -----	2
ZMJ06012	--- SCREW (M6-0.75x12) -----	1

I. LOWER LOOPER DRIVE MECHANISM

Consew 693EX/694EX



I, LOWER LOOPER DRIVE MECHANISM

Part No	Name of Part	Q'TY
ES0814-0A	--- TENSION GUIDE -----	1
ES1501-0A	--- CONNECTION -----	1
ES1501-1A	--- CONNECTION -----	1
ES1504-0A	--- GUIDE -----	1
ES1506-0A	--- CRANK -----	1
ES1508-0A	--- SHAFT -----	1
ES1516-0B	--- SHAFT -----	1
ES1522-0A	--- BUSHING -----	1
ES1948-0A	--- BUSHING -----	1
ES6004-0A	--- NEEDLE GUARD (REAR) ---	1
OATC10190	--- OIL SEAL -----	1
WA039001	--- WASHER -----	1
WB051001	--- SPRING WASHER -----	1
WH205003	--- WASHER -----	1
ZMB03031	--- SCREW (M3-0.5x2.5) -----	1
ZMB03509	--- SCREW (M3.5-0.6x6) -----	2
ZMB04053	--- SCREW (M4-0.7x16) -----	4
ZMC03009	--- SCREW (M3-0.5x5) -----	2
ZMD03001	--- SCREW (M3-0.5x5) -----	1
ZMD05010	--- SCREW (M5-0.8x10) -----	1
ZMD05013	--- SCREW (M5-0.8x13) -----	1
ZMJ06012	--- SCREW (M6-0.75x12) -----	1

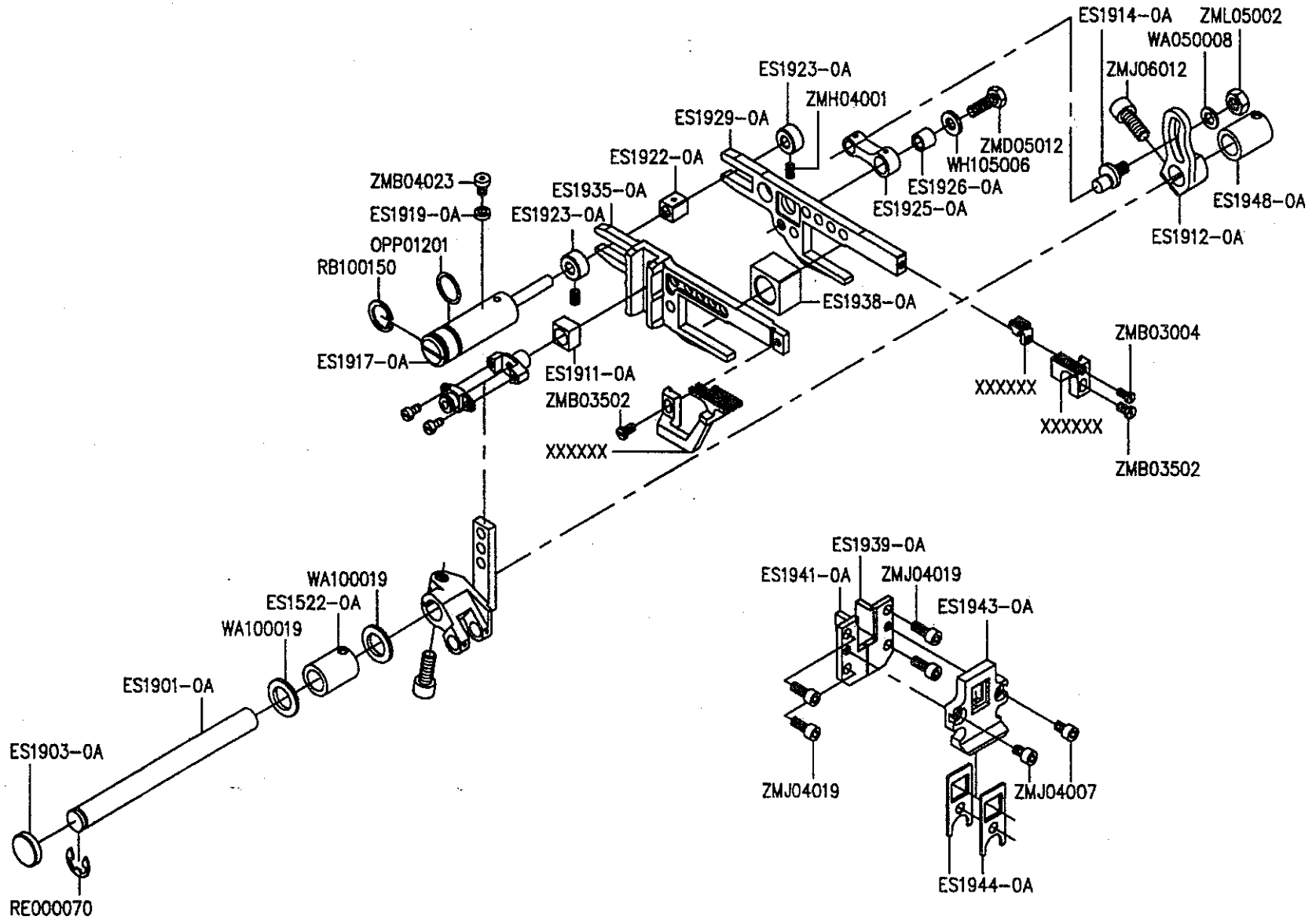
J. FEED MECHANISM

	Name of Part	Q'TY
BN222610	NEEDLE BEARING -----	1
ES0903-0A	PIN -----	1
ES1801-0A	CONNECTION -----	1
ES1805-0A	ECCENTRIC -----	1
ES1806-0A	GUIDE/FEED ECCENTRIC	1
ES1807-0A	FLAT SPRING -----	1
ES1810-0A	REGULATOR -----	1
ES1812-0A	ECCENTRIC ASSEMBLY	1
ES1813-0A	SPRING -----	1
ES1815-0A	RATCHET -----	1
ES1816-0A	PUSH BUTTON -----	1
ES1817-0A	GASKET -----	1
ES1819-0A	SPRING -----	1
ES1821-0A	LINK -----	1
ES1824-0A	LEVER -----	1
ES1826-0A	LEVER -----	1
ES1828-0A	SHAFT -----	1
ES1830-0A	SPRING -----	1
ES1831-0A	REGULATOR PLATE -----	1
ES1833-0A	SPACER -----	2
ES1834-0A	NUT -----	1
ES1837-0A	STOPPER -----	2
ES1840-0A	ADJUSTING BAR -----	1
ES1841-0A	SEAL -----	1
ES1843-0A	SPRING -----	1
ES1844-0A	PIN -----	1
ES1845-0A	BUSHING -----	1
ES1906-0A	CRANK -----	1
ES1908-0A	CRANK PIN -----	1
ES1909-0A	CRANK PIN -----	1
OPP00400	O RING -----	1

Part No	Name of Part	Q'TY
OPP00600	O RING -----	1
RE000030	E RING -----	1
RE000060	E RING -----	1
WA040013	WASHER -----	2
WA059006	WASHER -----	1
WC060004	SPRING WASHER -----	1
ZMB03004	SCREW (M3-0.5x5.7) -----	2
ZMG02004	SCREW (M2-0.4x3) -----	1
ZMG05016	SCREW (M5-0.8x8.4) -----	1
ZMG05017	SCREW (M5-0.8x5.5) -----	1
ZMH03001	SCREW (M3-0.5x4) -----	2
ZMH04005	SCREW (M4-0.7x6) -----	1
ZMH05009	SCREW (M5-0.8x5) -----	2
ZMJ06012	SCREW (M6-0.75x12) -----	2
ZMK06018	SCREW (M6-1.0x17.7) -----	1
ZMQ04011	SCREW (M4-0.7x6) -----	2
ZMQ04012	SCREW (M4-0.7x12) -----	2

K. FEED MECHANISM

Consew 693EX/694EX

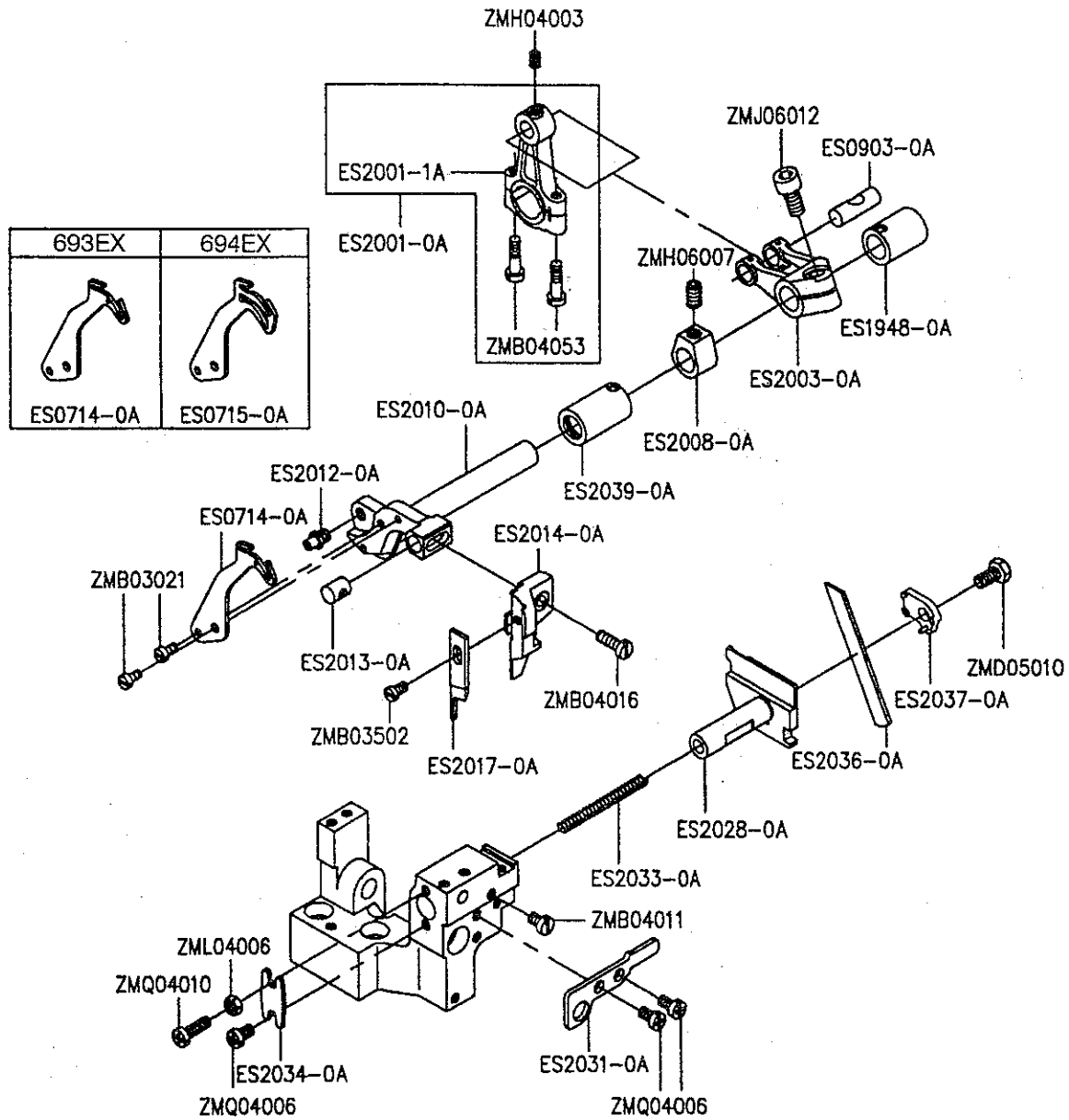


K. FEED MECHANISM

Part No	Name of Part	Q'TY
ES1522-0A	BUSHING -----	1
ES1901-0A	SHAFT -----	1
ES1903-0A	PLUG -----	1
ES1911-0A	BLOCK -----	1
ES1912-0A	CRANK -----	1
ES1914-0A	PIN -----	1
ES1917-0A	PIN -----	1
ES1919-0A	GASKET -----	1
ES1922-0A	BLOCK -----	1
ES1923-0A	COLLAR -----	2
ES1925-0A	LINK -----	1
ES1926-0A	BUSHING -----	1
ES1929-0A	MAIN FEED BAR -----	1
ES1935-0A	DIFFERENTIAL FEED BAR -----	1
ES1938-0A	BLOCK -----	1
ES1939-0A	GUIDE/FEED BAR -----	1
ES1941-0A	GUIDE(LEFE)/FEED BAR -----	1
ES1943-0A	GUIDE/FEED BAR OIL SEAL ---	1
ES1944-0A	OIL SEAL -----	2
ES1948-0A	BUSHING -----	1
OPP01201	O RING -----	1
RB100150	C RING -----	1
RE000070	E RING -----	1
WA050008	WASHER -----	1
WA100019	WASHER -----	2
WH105006	WASHER -----	1
ZMB03004	SCREW (M3-0.5x5.7) -----	1
ZMB03502	SCREW (M3.5-0.6x8) -----	2
ZMB04023	SCREW (M4-0.7x6) -----	1
ZMD05012	SCREW (M5-0.8x13) -----	1
ZMH04001	SCREW (M4-0.7x4) -----	2
ZMJ04007	SCREW (M4-0.7x5) -----	2
ZMJ04019	SCREW (M4-0.7x8) -----	4
ZMJ06012	SCREW (M6-0.75x12) -----	1
ZML05002	NUT (M5) -----	1

L. KNIFE DRIVE MECHANISM

Consew 693EX/694EX

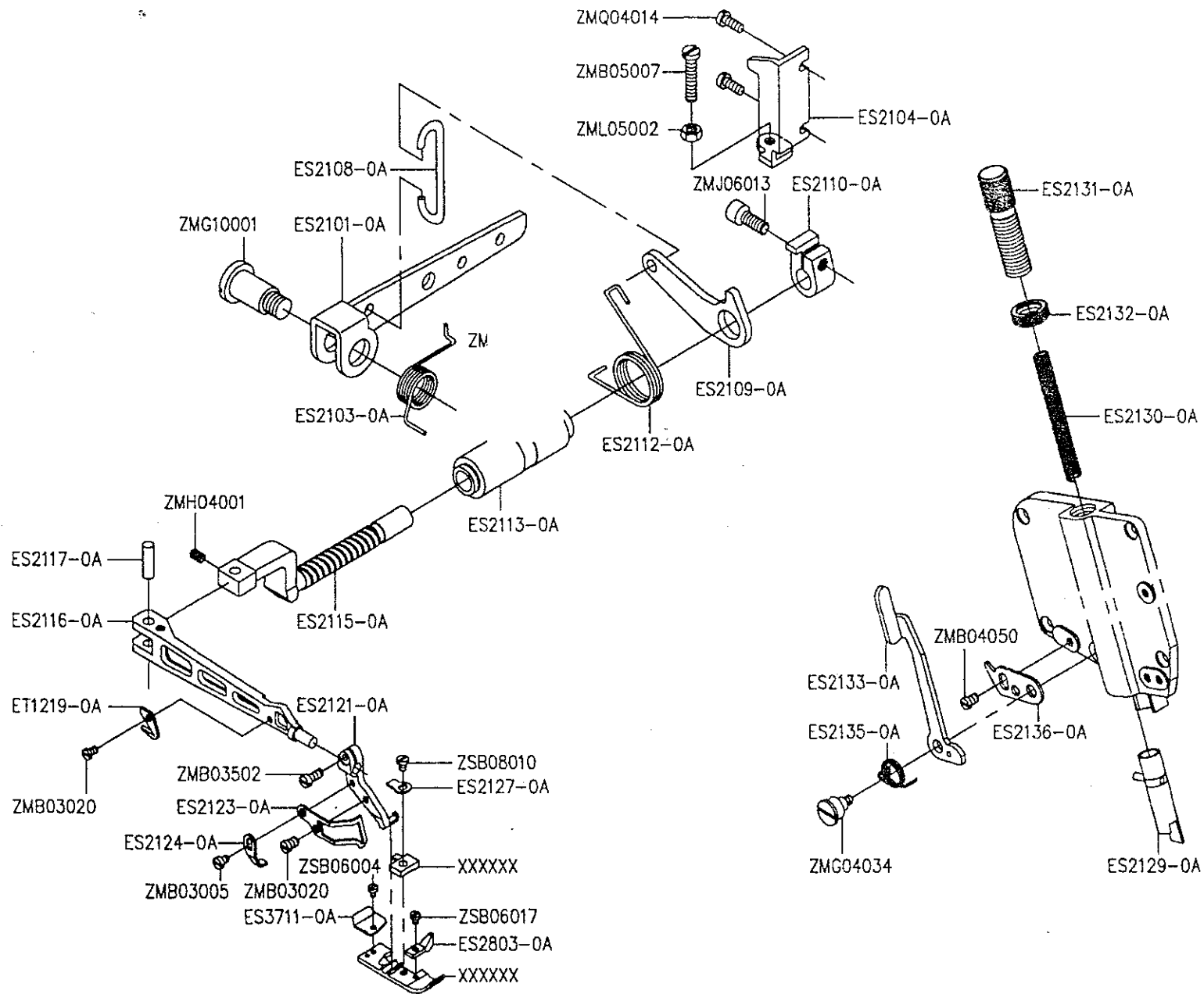


L. KNIFE DRIVE MECHANISM

Part No	Name of Part	Q'TY	Notes
ES0714-0A	THREAD TAKEUP -----	1	693EX
ES0715-0A	THREAD TAKEUP -----	1	694EX
ES0903-0A	PIN -----	1	
ES1948-0A	BUSHING -----	1	
ES2001-0A	CONNECTION -----	1	
ES2001-1A	CONNECTION -----	1	
ES2003-0A	CRANK -----	1	
ES2008-0A	COLLAR -----	1	
ES2010-0A	UPPER KNIFE LEVER -----	1	
ES2012-0A	SCREW -----	1	
ES2013-0A	PIN -----	1	
ES2014-0A	UPPER KNIFE CLAMP -----	1	
ES2017-0A	UPPER KNIFE -----	1	
ES2028-0A	LOWER KNIFE HOLDER -----	1	
ES2031-0A	GUIDE/LOWER KNIFE HOLDER -----	1	
ES2033-0A	SPRING -----	1	
ES2034-0A	PLATE -----	1	
ES2036-0A	LOWER KNIFE/THICK -----	1	
ES2037-0A	LOWER KNIFE CLAMP -----	1	
ES2039-0A	BUSHING -----	1	
ZMB03021	SCREW (M3-0.5x6.5) -----	2	
ZMB03502	SCREW (M3.5-0.6x8) -----	1	
ZMB04011	SCREW (M4-0.7x8) -----	1	
ZMB04016	SCREW (M4-0.7x10) -----	1	
ZMB04053	SCREW (M4-0.7x16) -----	2	
ZMD05010	SCREW (M5-0.8x10) -----	1	
ZMH04003	SCREW (M4-0.7x5) -----	1	
ZMH06007	SCREW (M6-1.0x5) -----	1	
ZMJ06012	SCREW (M6-0.75x12) -----	1	
ZML04006	NUT (M4) -----	1	
ZMO04006	SCREW (M4-0.7x8) -----	3	
ZMO04010	SCREW (M4-0.7x16) -----	1	

M. PRESSER FOOT MECHANISM

Consew 693EX/694EX

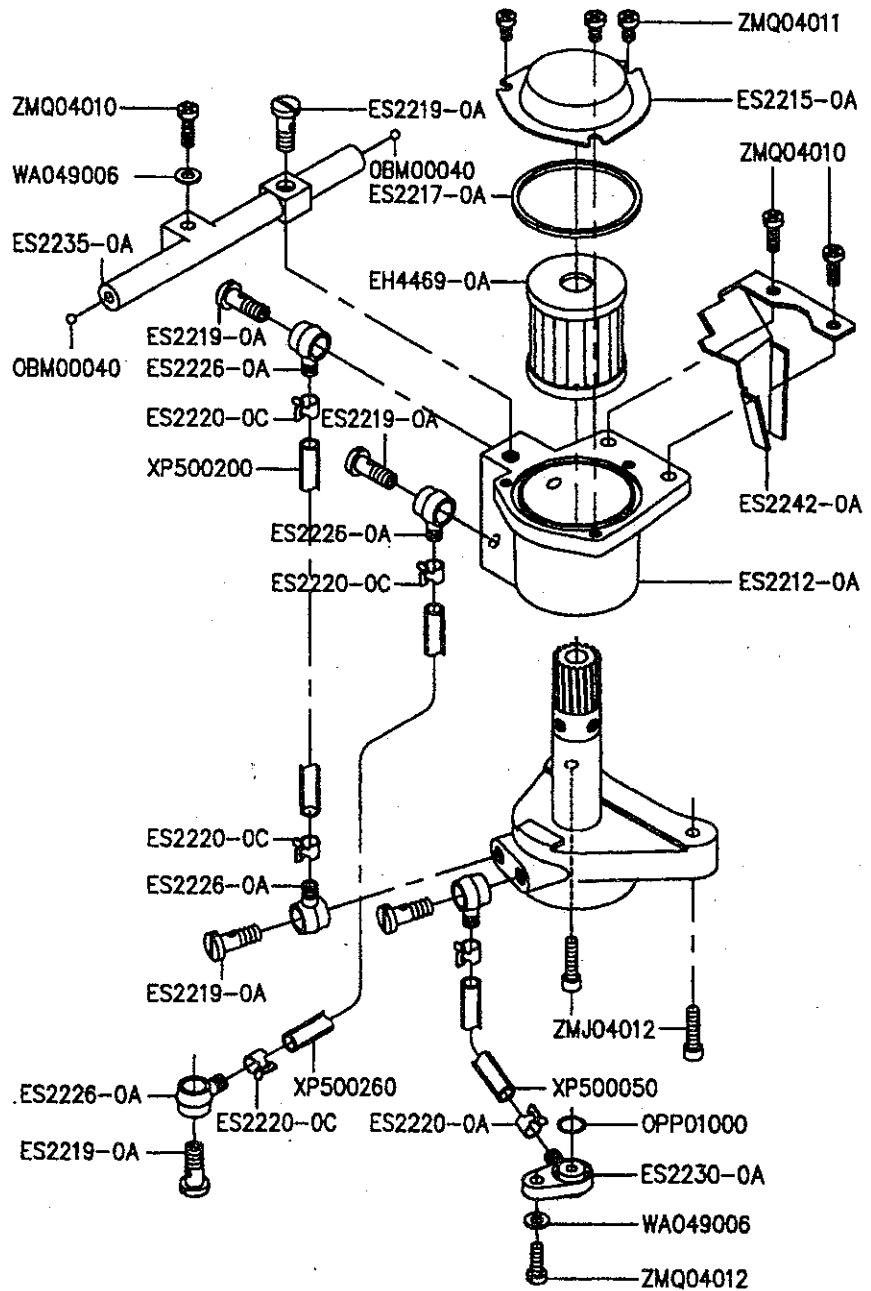
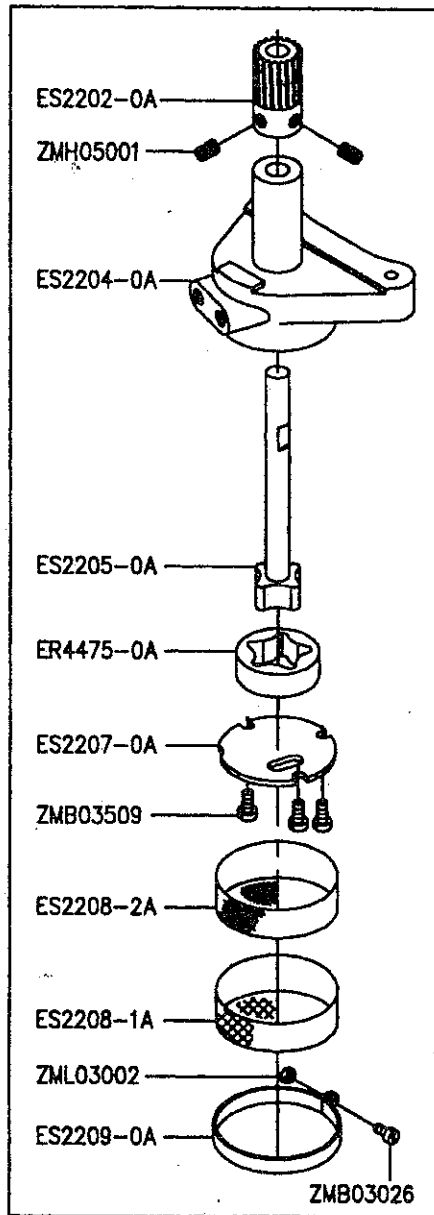


M. PRESSER FOOT MECHANISM

Part No	Name of Part	Q'TY	Part No	Name of Part	Q'TY
ES2101-0A	LEVER -----	1	ZMG04034	SCREW (M4-0.7x4) -----	1
ES2103-0A	SPRING -----	1	ZMG10001	SCREW (M10-1.5x9) -----	1
ES2104-0A	STOPPER -----	1	ZMH04001	SCREW (M4-0.7x4) -----	1
ES2108-0A	LINK -----	1	ZMH06003	SCREW (M6-1.0x8) -----	1
ES2109-0A	LEVER -----	1	ZMJ06013	SCREW (M6-0.75x14) -----	1
ES2110-0A	COLLAR -----	1	ZML05002	NUT (M5) -----	1
ES2112-0A	SPRING -----	1	ZMQ04014	SCREW (M4-0.7x10) -----	2
ES2113-0A	BUSHING -----	1	ZSB06004	SCREW (3/32-56x2.2) -----	1
ES2115-0A	SHAFT -----	1	ZSB06017	SCREW (3/32-56x4) -----	1
ES2116-0A	PRESSER ARM -----	1	ZSB08010	SCREW (1/8-44x6) -----	1
ES2117-0A	PIN -----	1			
ES2121-0A	HOLDER -----	1			
ES2123-0A	FINGER GUARD -----	1			
ES2124-0A	STOOPER -----	1			
ES2127-0A	FLAT SPRING -----	1			
ES2129-0A	PRESSER BAR -----	1			
ES2130-0A	SPRING -----	1			
ES2131-0A	ADJUSTING SCREW -----	1			
ES2132-0A	NUT -----	1			
ES2133-0A	LEVER -----	1			
ES2135-0A	SPRING -----	1			
ES2136-0A	STOPPER -----	1			
ES2803-0A	FABRIC GUARD -----	1			
ES3711-0A	UNCURLER -----	1			
ET1219-0A	CHAIN CUTTER -----	1			
ZMB03005	SCREW (M3-0.5x4) -----	1			
ZMB03020	SCREW (M3-0.5x5) -----	2			
ZMB03502	SCREW (M3.5-0.6x8) -----	1			
ZMB04050	SCREW (M4-0.7x8) -----	1			
ZMB05007	SCREW (M5-0.8x25) -----	1			

N. LUBRICATION MECHANISM

Consew 693EX/694EX

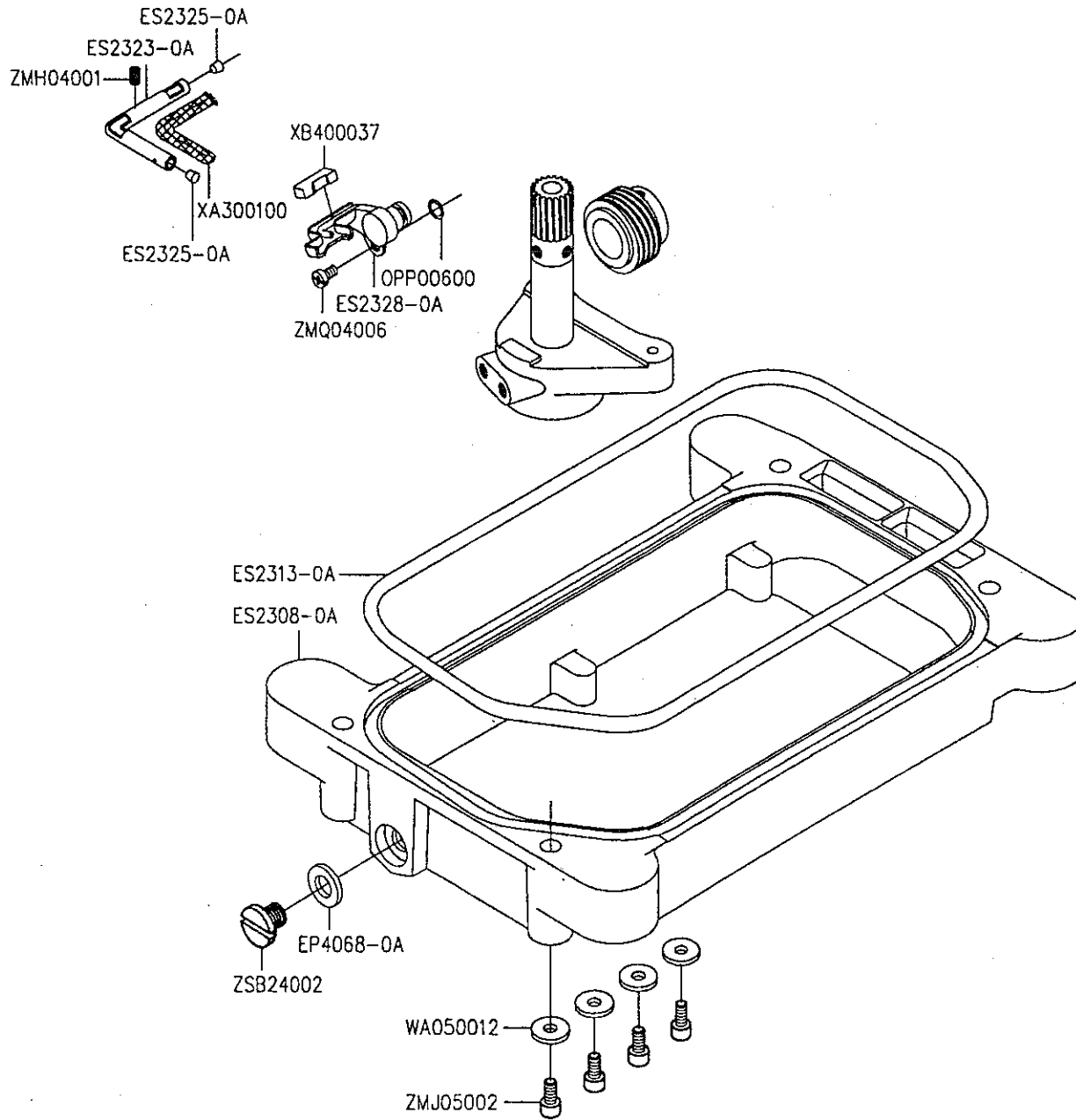


N. LUBRICATION MECHANISM

Part No	Name of Part	Q'TY
EH4469-0A	OIL FILTER -----	1
ER4475-0A	ROTOR (OUTSIDE) -----	1
ES2202-0A	WORM WHEEL -----	1
ES2204-0A	PUMP BODY -----	1
ES2205-0A	ROTOR (INSIDE) SHAFT ----	1
ES2207-0A	CASING PLATE -----	1
ES2208-1A	FILTER -----	1
ES2208-2A	FILTER -----	1
ES2209-0A	GUIDE -----	1
ES2212-0A	TANK -----	1
ES2215-0A	COVER -----	1
ES2217-0A	O RING -----	1
ES2219-0A	SCREW -----	6
ES2220-0C	CLAMP -----	6
ES2226-0A	JOINT -----	1
ES2230-0A	JOINT -----	1
ES2235-0A	OIL DISTRIBUTOR -----	1
ES2242-0A	PLATE -----	1
OBM00040	PLUG -----	2
OPP01000	O RING -----	1
WA049006	WASHER -----	1
XP500050	TUBE -----	1
XP500200	TUBE -----	1
XP500260	TUBE -----	1
ZMB03026	SCREW (M3-0.5x8) -----	1
ZMB03509	SCREW (M3.5-0.6x6) -----	3
ZMH05001	SCREW (M5-0.8x5) -----	2
ZMJ04012	SCREW (M4-0.7x16) -----	2
ZML03002	NUT (M3) -----	1
ZMQ04010	SCREW (M4-0.7x16) -----	3
ZMQ04011	SCREW (M4-0.7x6) -----	3
ZMQ04012	SCREW (M4-0.7x12) -----	1

O. LUBRICATION MECHANISM

Consew 693EX/694EX

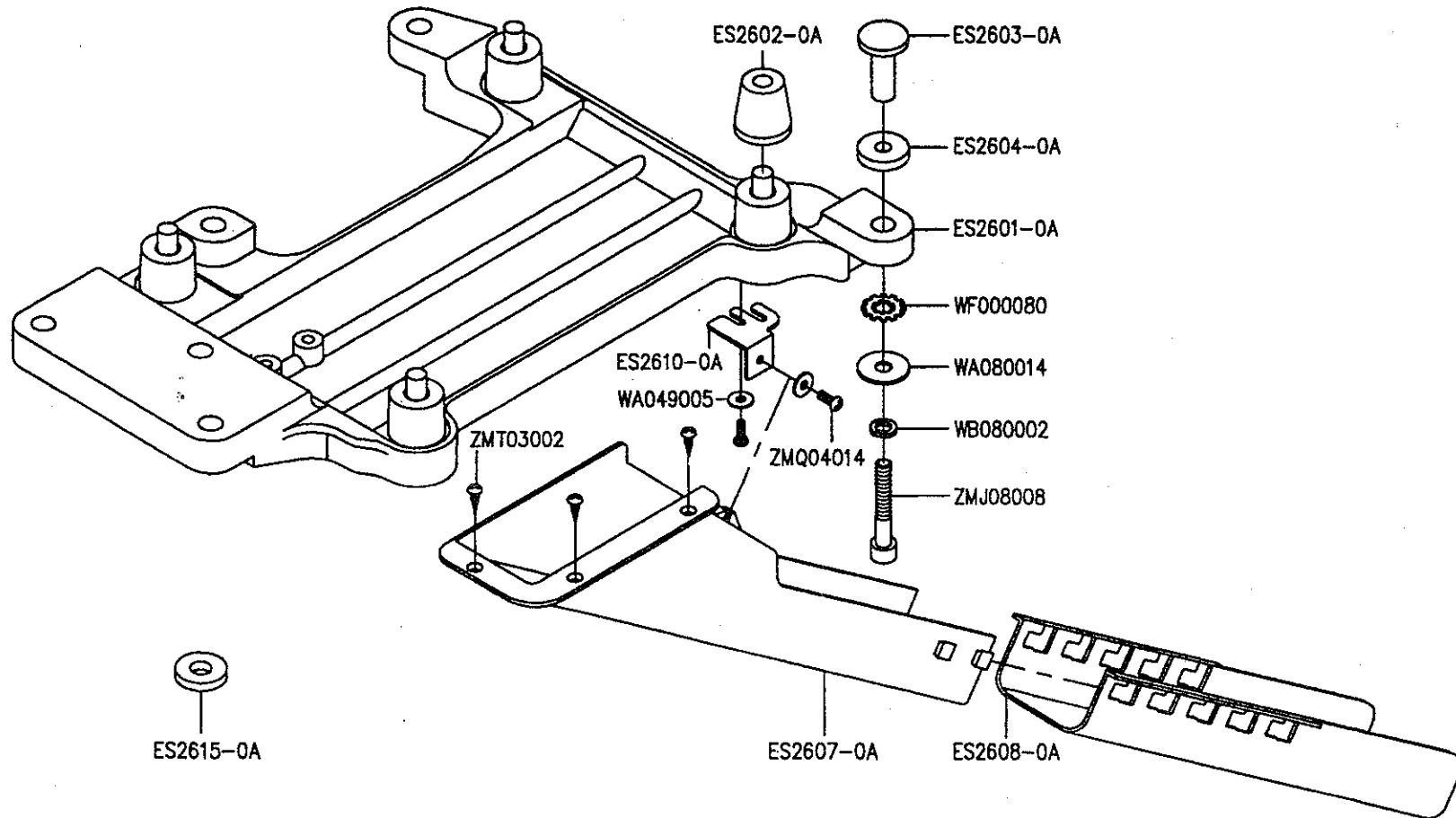


O、 LUBRICATION MECHANISM

Part No	Name of Part	Q'TY
EP4068-0A	DRAIN HOLE SEAL ----	1
ES2308-0A	OIL RESERVOIR -----	1
ES2313-0A	GASKET -----	1
ES2323-0A	PIPE -----	1
ES2325-0A	PLUG -----	2
ES2328-0A	JOINT -----	1
OPP00600	O RING -----	1
WA050012	WASHER -----	4
XA300100	OIL WICK -----	1
XB400037	FELT -----	1
ZMH04001	SCREW (M4-0.7x4) ----	1
ZMJ05002	SCREW (M5-0.8x12) ---	4
ZMQ04006	SCREW (M4-0.7x8) ----	1
ZSB24002	SCREW (3/8-24x8) -----	1

P. PARTS FOR SEMI-SUBMERGED INSTALLATION

Consew 693EX/694EX

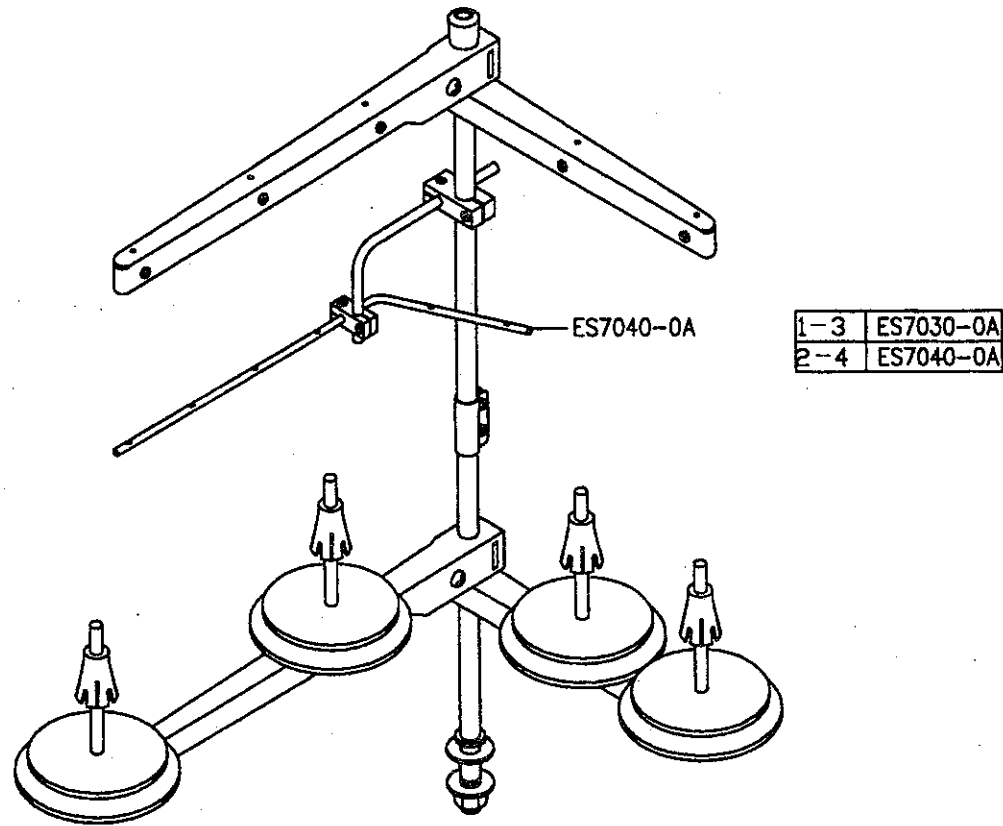


P. PARTS FOR SEMI - SUBMERGED INSTALLATION

Part No	Name of Part	Q'TY
ES2601-0A	REST BOARD -----	1
ES2602-0A	CUSHION RUBBER -----	4
ES2603-0A	NUT -----	4
ES2604-0A	SPACER -----	4
ES2607-0A	WASTE CHUTE -----	1
ES2608-0A	WASTE CHUTE -----	1
ES2610-0A	BRACKET -----	1
ES2615-0A	SPACER -----	4
WA049005	WASHER -----	2
WA080014	WASHER -----	4
WB080002	SPRING WASHER -----	4
WF000080	WASHER -----	4
ZMJ08008	SCREW (M8-1.25x45) --	4
ZMQ04014	SCREW (M4-0.7x10) ---	2
ZMT03002	SCREW (M3) -----	3

Q. ACCESSORIES

Consew 693EX/694EX



Q. ACCESSORIES

Part No	Name of Part	Q'TY	Notes
ES7030-0A	THREAD STAND, COMPLETE SET	----- 1	1 - 3
ES7040-0A	THREAD STAND, COMPLETE SET	----- 1	2 - 4

R. NUMERICAL PARTS-LIST

PARTS NO.	PAGE	PARTS NO.	PAGE	PARTS NO.	PAGE	PARTS NO.	PAGE	PARTS NO.	PAGE
A1019-0A	2	ES0216-0A	4	ES0407-0A	10	ES0713-0A	14	ES1076-100A	14
BB6202VNN	10	ES0220-0A	4	ES0409-0A	10	ES0714-0A	24	ES1076-220A	14
BB6203	10	ES0221-0A	4	ES0412-0A	10	ES0715-0A	24	ES1112-0A	14
BB6203V	10	ES0225-0A	4	ES0415-0A	10	ES0801-0A	8	ES1117-0A	14
BN222610	20	ES0227-0A	4	ES0416-0A	10	ES0802-0A	8	ES1223-0A	2
DC27#9	14	ES0229-0A	4	ES0418-0A	10	ES0803-0A	8	ES1225-0A	2,4,6
EH1021-0A	12	ES0231-0A	8	ES0419-0A	10	ES0805-0A	8	ES1226-0A	2
EH4469-0A	28	ES0301-0A	6	ES0422-0A	10	ES0807-0A	8	ES1306-0A	16
ES1015-0A	2	ES0302-0A	6	ES0424-0A	10	ES0809-0A	8	ES1307-0A	16
ES1018-0A	2	ES0302-2A	6	ES0425-0A	10	ES0813-0A	16	ES1313-0A	16
EP1025-0A	12	ES0303-0A	6	ES0433-0A	10	ES0814-0A	18	ES1314-0A	16
EP1283-0A	14	ES0309-0A	6	ES0435-0A	10	ES0901-0A	14	ES1315-0A	16
EP1361-0A	4	ES0310-0A	6	ES0501-0A	12	ES0901-1A	14	ES1320-0A	16
EP4068-0A	30	ES0316-0A	6	ES0502-0A	12	ES0903-0A	14,20,24	ES1323-0A	16
ER4475-0A	28	ES0318-0A	2	ES0503-0A	12	ES0905-0C	14	ES1327-0A	16
ES0108-0A	2	ES0320-0A	2	ES0504-0A	12	ES0907-0A	14	ES1328-0A	16
ES0109-0A	2	ES0322-0A	6	ES0507-0A	12	ES0908-0A	14	ES1332-0A	16
ES0111-0A	2	ES0324-0A	6	ES0509-0A	12	ES0912-0C	14	ES1336-0A	16
ES0113-0A	2	ES0325-0A	6	ES0510-0A	12	ES0915-0C	14	ES1341-0A	16
ES0116-0A	2	ES0326-0A	6	ES0513-0A	12	ES0918-0C	14	ES1343-0A	16
ES0117-0A	2	ES0326-1A	6	ES0514-0A	12	ES0919-0C	14	ES1501-0A	16,18
ES0201-0A	4	ES0328-0A	4	ES0701-0A	8	ES0923-0A	14	ES1501-1A	16,18
ES0203-0A	4	ES0331-0A	4	ES0702-0A	8	ES0925-0B	14	ES1504-0A	16,18
ES0206-0A	4	ES0334-0A	6	ES0704-0A	8	ES0926-0A	14	ES1506-0A	18
ES0207-0A	4	ES0336-0A	6	ES0706-0A	8	ES0927-0A	14	ES1508-0A	16,18
ES0210-0A	4	ES0339-0A	6	ES0707-0A	8	ES0928-0B	14	ES1516-0B	18
ES0213-0A	4	ES0401-0A	10	ES0710-0A	14	ES1000-0A	6	ES1522-0A	16,18,22
ES0215-0A	4	ES0405-0A	10	ES0711-0A	14	ES1016-01B	2	ES1801-0A	20

R. NUMERICAL PARTS-LIST

PARTS NO.	PAGE	PARTS NO.	PAGE	PARTS NO.	PAGE	PARTS NO.	PAGE	PARTS NO.	PAGE
ES1805-0A	20	ES1909-0A	20	ES2031-0A	24	ES2202-0A	28	ES2409-0A	2
ES1806-0A	20	ES1911-0A	22	ES2033-0A	24	ES2204-0A	28	ES2410-0A	2
ES1807-0A	20	ES1912-0A	22	ES2034-0A	24	ES2205-0A	28	ES2416-0A	2
ES1810-0A	20	ES1914-0A	22	ES2036-0A	24	ES2207-0A	28	ES2420-0A	2
ES1812-0A	20	ES1917-0A	22	ES2037-0A	24	ES2208-1A	28	ES2426-0A	2
ES1813-0A	20	ES1919-0A	22	ES2039-0A	24	ES2208-2A	28	ES2601-0A	32
ES1815-0A	20	ES1922-0A	22	ES2101-0A	26	ES2209-0A	28	ES2602-0A	32
ES1816-0A	20	ES1923-0A	22	ES2103-0A	26	ES2212-0A	28	ES2603-0A	32
ES1817-0A	20	ES1925-0A	22	ES2104-0A	26	ES2215-0A	28	ES2604-0A	32
ES1819-0A	20	ES1926-0A	22	ES2108-0A	26	ES2217-0A	28	ES2607-0A	32
ES1821-0A	20	ES1929-0A	22	ES2109-0A	26	ES2219-0A	28	ES2608-0A	32
ES1824-0A	20	ES1935-0A	22	ES2110-0A	26	ES2220-0C	2,28	ES2610-0A	32
ES1826-0A	20	ES1938-0A	22	ES2112-0A	26	ES2226-0A	28	ES2615-0A	32
ES1828-0A	20	ES1939-0A	22	ES2113-0A	26	ES2230-0A	28	ES2803-0A	26
ES1830-0A	20	ES1941-0A	22	ES2115-0A	26	ES2235-0A	28	ES3711-0A	26
ES1831-0A	20	ES1943-0A	22	ES2116-0A	26	ES2242-0A	28	ES6004-0A	18
ES1833-0A	20	ES1944-0A	22	ES2117-0A	26	ES2308-0A	30	ES6005-0A	2
ES1834-0A	20	ES1948-0A	18,22,24	ES2121-0A	26	ES2313-0A	30	ES7030-0A	34
ES1837-0A	20	ES2001-0A	24	ES2123-0A	26	ES2314-0A	10	ES7040-0A	34
ES1840-0A	20	ES2001-1A	24	ES2124-0A	26	ES2317-0A	2	ET1219-0A	26
ES1841-0A	20	ES2003-0A	24	ES2127-0A	26	ES2319-0A	2	OATC101904	16,18
ES1843-0A	20	ES2008-0A	24	ES2129-0A	26	ES2323-0A	30	OBM00040	2,28
ES1844-0A	20	ES2010-0A	24	ES2130-0A	26	ES2325-0A	30	OPP00400	20
ES1845-0A	20	ES2012-0A	24	ES2131-0A	26	ES2328-0A	30	OPP00600	20,30
ES1901-0A	22	ES2013-0A	24	ES2132-0A	26	ES2341-0A	2	OPP01000	28
ES1903-0A	2,22	ES2014-0A	24	ES2133-0A	26	ES2401-0A	2	OPP01201	14,22
ES1906-0A	20	ES2017-0A	24	ES2135-0A	26	ES2402-0A	2	OPP01700	10
ES1908-0A	20	ES2028-0A	24	ES2136-0A	26	ES2406-0A	2	OPP03150	10

R. NUMERICAL PARTS-LIST

PARTS NO.	PAGE	PARTS NO.	PAGE	PARTS NO.	PAGE	PARTS NO.	PAGE	PARTS NO.	PAGE
OPP04000	10	XA300015	2	ZMB03026	28	ZMD05012	22	ZMJ04019	22
RB100150	22	XA300030	16	ZMB03030	14	ZMD05013	18	ZMJ05002	30
RE000030	20	XA300100	30	ZMB03031	18	ZMD06009	14,16	ZMJ06002	16
RE000060	20	XA300120	2	ZMB03502	22,24,26	ZMG02003	14	ZMJ06010	10
RE000070	22	XB123001	12	ZMB03504	16	ZMG02004	20	ZMJ06012	14,16,18, 20,22,24
RE000080	14	XB308007	14			ZMG04032	6		
WA030001	4,8	XB312004	16	ZMB03507	2	ZMG04033	4	ZMJ06013	26
WA039001	18	XB400036	16	ZMB03509	18,28	ZMG04034	26	ZMJ06015	2
WA040013	20	XB400037	30			ZMG05016	20	ZMJ08008	32
WA040014	2	XB400038	2	ZMB04011	8,24	ZMG05017	20	ZMK06018	20
WA040016	6	XB400040	2	ZMB04016	6,24	ZMG10001	26	ZML03002	28
WA049005	6,32	XP400037	2	ZMB04023	22	ZMH03001	4,20	ZML04006	24
WA049006	28	XP500050	28	ZMB04031	6	ZMH03002	14	ZML05002	22,26
WA050008	22	XP500200	28	ZMB04050	8,26	ZMH03006	16	ZMQ04006	4,10,24,30
WA050012	30	XP500260	28	ZMB04053	14,16,18,24	ZMH03007	4	ZMQ04010	4,24,28
WA059006	20	YA041200	4	ZMB04054	16	ZMH03501	10	ZMQ04011	2,4,6,20,2 8
WA080014	32	YA070100	2	ZMB05007	26	ZMH04001	2,4,8,14, 22,26,30	ZMQ04012	2,4,8, 20,28
WA100019	16,22	YD050010	2	ZMB06014	10				
WA120002	14	YD050014	2	ZMB06015	4	ZMH04003	6,14,24		
WB041002	6	YD050018	2	ZMC02505	16	ZMH04005	20	ZMQ04013	4
WB051001	16,18	ZMB02505	16	ZMC03009	16,18	ZMH04009	14	ZMQ04014	2,8,10,26,3 2
WB060002	10	ZMB03001	8,16	ZMC04001	4	ZMH05001	10,14,28		
WB080002	32	ZMB03004	20,22	ZMC04007	2	ZMH05004	10	ZMT03002	32
WC060004	20	ZMB03005	26	ZMC04010	2	ZMH05009	10,20	ZSB06004	26
WF000080	32	ZMB03011	10	ZMC04011	4	ZMH06003	10,26	ZSB06007	14
WG000006	4,6	ZMB03020	4,14,26	ZMD03001	18	ZMH06007	24	ZSB06017	26
WH105006	22	ZMB03021	24	ZMD04007	6	ZMJ04007	22	ZSB08010	26
WH205003	16,18	ZMB03025	4	ZMD05010	16,18,24	ZMJ04012	28	ZSB24002	30

Parts Manual for Models 693EX & 694EX



Main Office
131 West 25th Street
New York, NY 10001
Tel: 212-741-7788
Fax: 212-741-7787

Miami Branch Office
7855 N.W. 29th St. (#166)
Miami, FL 33122
Tel: 305-471-0200
Fax: 305-471-0243

West Coast Branch Office
1400 South Broadway
Los Angeles, CA 90015
Tel: 213-745-8844
Fax: 213-745-8855

e-mail: consew@worldnet.att.net

web: www.consew.com