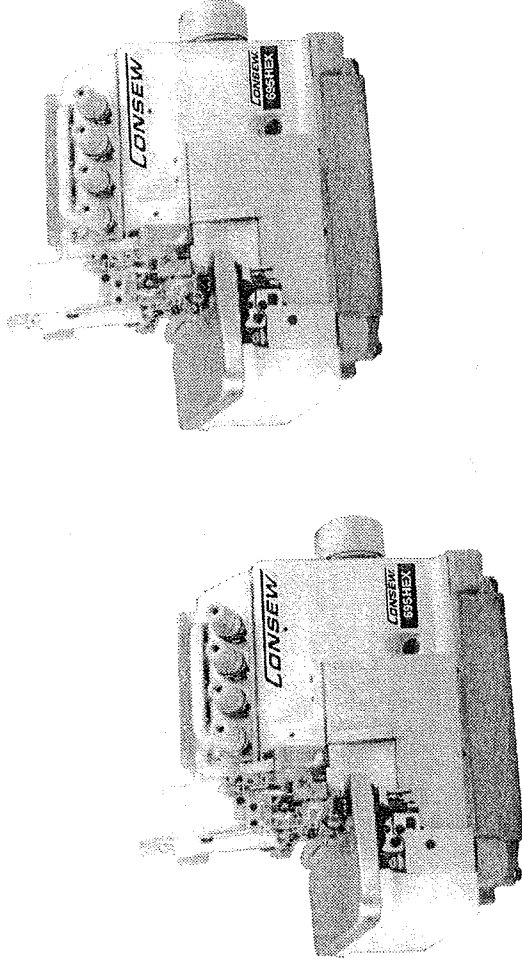


Since 1898
CONSEW®

— CONSOLIDATED SEWING MACHINE CORP.

PARTS MANUAL FOR Models 695EX & 695HEX



Safety Stitch & Overedging Machines



PARTS MANUAL FOR Models 695EX & 695HEX

TABLE OF CONTENTS

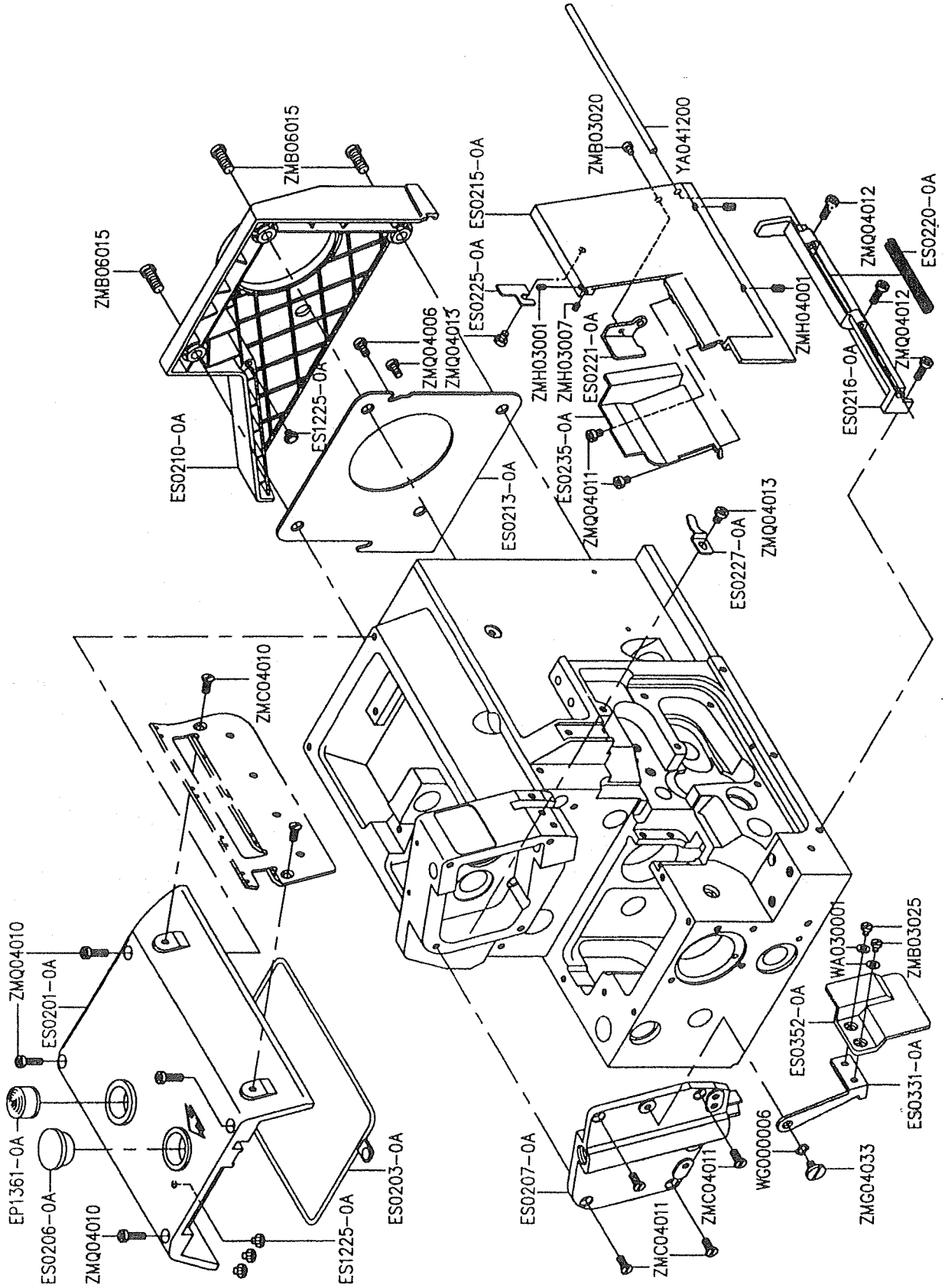
	PAGE
A. MACHINE BED FRAME	2-3
B. MACHINE BED FRAME	4-5
C. MACHINE BED FRAME	6-7
D. MISCELLANEOUS THREAD EYELETS	8-9
E. CRANKSHAFT DRIVE MECHANISM	10-11
F. THREAD TENSION MECHANISM	12-13
G. NEEDLE DRIVE MECHANISM	14-15
H. UPPER LOOPER DRIVE MECHANISM	16-17
I. LOWER LOOPER DRIVE MECHANISM	18-19
J. CHAINSTITCH LOOPER DRIVE MECHANISM	20-21
K. CHAINSTITCH LOOPER DRIVE MECHANISM	22-23
L. FEED MECHANISM	24-25
M. FEED MECHANISM	26-27
N. KNIFE DRIVE MECHANISM	28-29
O. PRESSER FOOT MECHANISM	30-31
P. LUBRICATION MECHANISM	32-33
Q. LUBRICATION MECHANISM	34-35
R. PARTS FOR SEMI-SUBMERGED INSTALLATIO.....	36-37
S. ACCESSORIES	38-39
T. NUMERICAL PARTS-LIST.....	40-43

A. MACHINE BED FRAME - 1

Part No	Name of Part	Q'TY	Part No	Name of Part	Q'TY
A1019-0A	PIN	4	ES6007-0A	NEEDLE GUARD (FRONT)	1
ES1015-0B	NAME PLATE	1	ES6008-0A	NEEDLE GUARD (FRONT)	1
ES1018-0A	SERIAL NUMBER PLATE	1	OBM00040	PLUG	1
ES0108-0A	PIPE	2	XA300015	OIL WICK	1
ES0109-0A	PIN	1	XA300120	OIL WICK	1
ES0111-0A	BRACKET ASSEMBLY	1	XB308008	FELT	1
ES0113-0A	BED PIN	4	XB400039	FELT	1
ES0116-0A	OIL MARK	1	XP400037	TUBE	1
ES0117-0A	MARK	3	YA070100	PIN	1
ES0318-0A	LATCH	1	YD050010	PIN	1
ES0320-0A	PLATE	1	YD050014	PIN	1
ES1016-01C	NAME PLATE	1	YD050018	PIN	1
ES1115-0A	PLUG FILTER	1	ZMB03004	SCREW (M3-0.5x5.7)	4
ES1219-0A	BRACKET	1	ZMB03507	SCREW (M3.5-0.6x4.5)	1
ES1223-0A	BRACKET (FRONT)	1	ZMB04014	SCREW (M4-0.7x8.5)	2
ES1225-0A	CUSHION RUBBER	2	ZMC04007	SCREW (M4-0.7x7.3)	2
ES1226-0A	BRACKET (REAR)	1	ZMC04010	SCREW (M4-0.7x7.5)	2
ES1903-0A	PLUG	1	ZMH04001	SCREW (M4-0.7x4)	1
ES2220-0C	CLAMP	2	ZMJ06015	SCREW (M6-1.0x25)	2
ES2317-0A	PIPE	1	ZMO04011	SCREW (M4-0.7x6)	1
ES2319-0A	PLUG	1	ZMO04012	SCREW (M4-0.7x12)	3
ES2341-0A	OIL LEVER GAUGE	1	ZMO04014	SCREW (M4-0.7x10)	5
ES2401-0A	SILICONE OIL	1			
ES2402-0A	COVER	1			
ES2407-0A	THREAD GUIDE	1			
ES2409-0A	SILICONE OIL	1			
ES2410-0A	COVER	1			
ES2420-0A	PIN	1			
ES2421-0A	NEEDLE THREAD	1			
ES2426-0A	PLATE	1			
ES6006-0A	NEEDLE GUARD (REAR)	1			

B. MACHINE BED FRAME - 2

Consew 695EX/695HEX

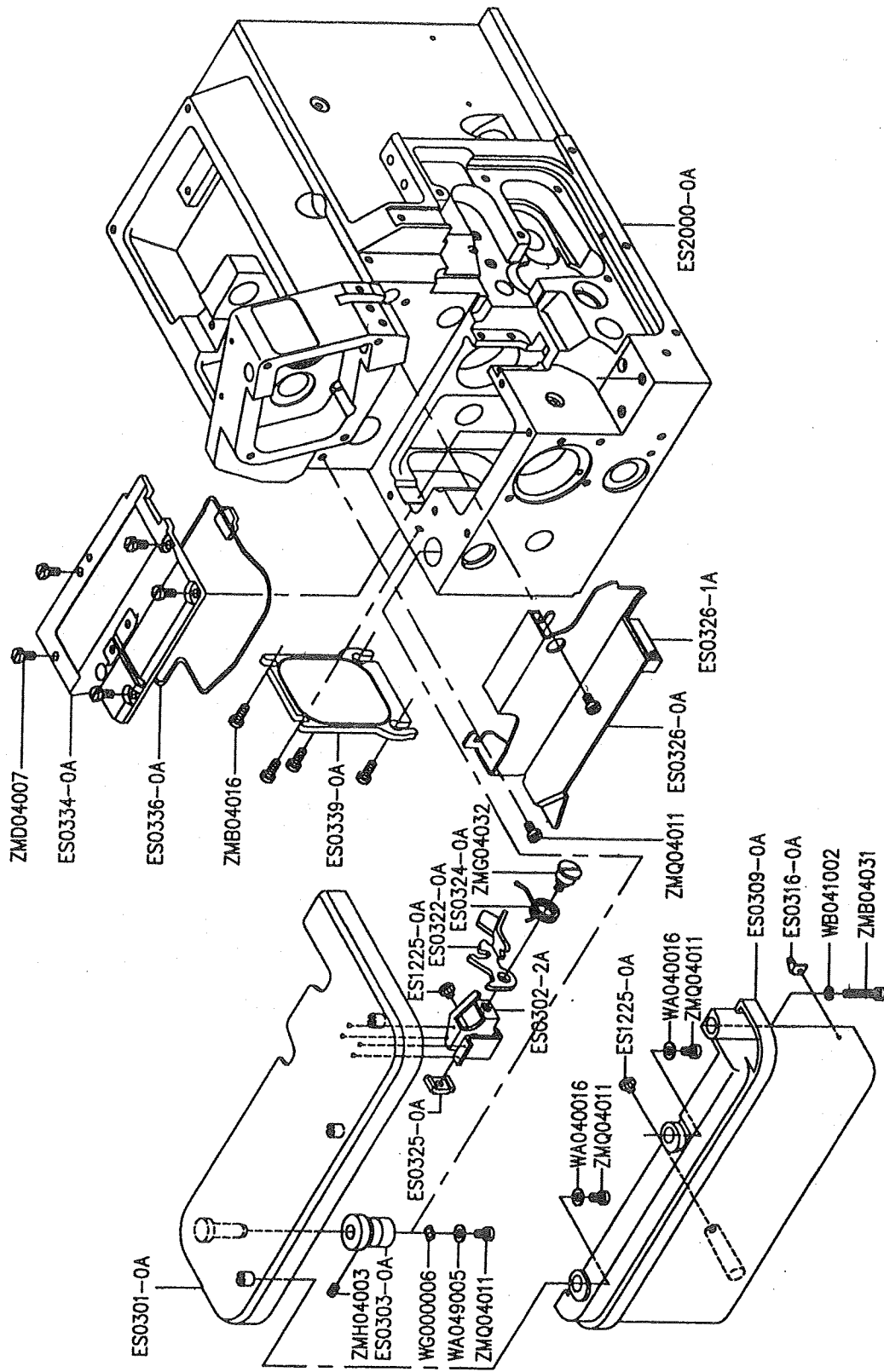


A. MACHINE BED FRAME -2

Part No	Name of Part	Q'TY
EPI361-0A	OIL SIGHT WINDOW	1
ES0201-0A	TOP COVER	1
ES0203-0A	GASKET	1
ES0206-0A	PLUG	1
ES0207-0A	SIDE COVER	1
ES0210-0A	BELT COVER	1
ES0213-0A	FAN COVER	1
ES0215-0A	FRONT COVER (RIGHT)	1
ES0216-0A	HINGE	1
ES0220-0A	SPRING	1
ES0221-0A	LATCH	1
ES0225-0A	LATCH	1
ES0227-0A	FLAT SPRING	1
ES0235-0A	FRONT COVER (LEFT)	1
ES0331-0A	BRACKET	1
ES0352-0A	EYE GUARD	1
ES1225-0A	CUSHION RUBBER	4
WA030001	WASHER	2
WG000006	WASHER	1
YA041200	PIN	1
ZMB03020	SCREW (M3-0.5x5)	1
ZMB03025	SCREW (M3-0.5x6)	2
ZMB06015	SCREW (M6-1.0x14)	3
ZMC04010	SCREW (M4-0.7x7.5)	2
ZMC04011	SCREW (M4-0.7x10)	4
ZMG04033	SCREW (M4-0.7x3.8)	1
ZMH03001	SCREW (M3-0.5x4)	1
ZMH03007	SCREW (M3-0.5x12)	1
ZMH04001	SCREW (M4-0.7x4)	2
ZMQ04006	SCREW (M4-0.7x8)	2
ZMQ04011	SCREW (M4-0.7x6)	2
ZMQ04012	SCREW (M4-0.7x12)	3
ZMQ04013	SCREW (M4-0.7x5)	2
ZMQ04010	SCREW (M4-0.7x16)	4

C. MACHINE BED FRAME - 3

Consew 695EX/695HEX



A. MACHINE BED FRAME - 3

Part No	Name of Part	Q'TY
ES0301-0A	CLOTH PLATE (WIDE)	1
ES0302-2A	PLATE	1
ES0303-0A	BUSHING	1
ES0309-0A	SIDE COVER	1
ES0316-0A	LATCH	1
ES0322-0A	LEVER	1
ES0324-0A	SPRING	1
ES0325-0A	BRACKET	1
ES0326-0A	FABRIC GUARD	1
ES0326-1A	SWAB	1
ES0334-0A	BED COVER PLATE ASSEMBLY	1
ES0336-0A	GASKET	1
ES0339-0A	COVER PLATE	1
ES1225-0A	CUSHION RUBBER	2
ES2000-0A	MACHINE BED COMPLETE	1
WA040016	WASHER	2
WA049005	WASHER	1
WB041002	SPRING WASHER	1
WG000006	WASHER	1
ZMB04016	SCREW (M4-0.7x10)	4
ZMB04031	SCREW (M4-0.7x20)	1
ZMD04007	SCREW (M4-0.7x8)	4
ZMG04032	SCREW (M4-0.7x5)	1
ZMH04003	SCREW (M4-0.7x5)	1
ZMO04011	SCREW (M4-0.7x6)	5

D. MISCELLANEOUS THREAD EYELETS

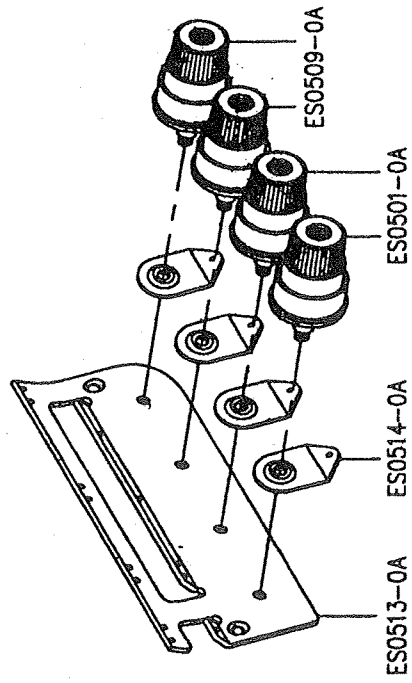
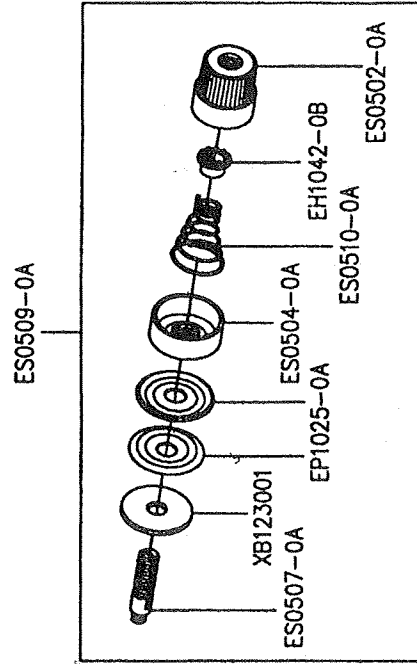
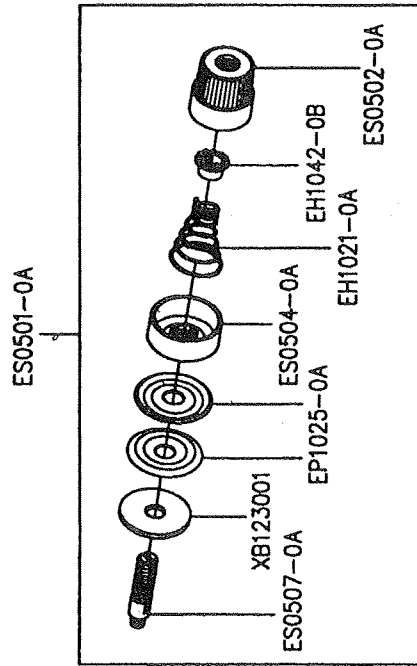
Part No	Name of Part	Q'TY
ES0231-0B	COVER	1
ES0232-0A	GASKET	1
ES0601-0A	BRACKET	1
ES0603-0A	THREAD GUIDE	1
ES0606-0A	BRACKET	1
ES0608-0A	THREAD GUIDE	1
ES0610-0A	THREAD GUIDE	1
ES0614-0A	THREAD GUIDE	1
ES0801-0A	BRACKET	1
ES0802-0A	THREAD GUIDE	1
ES0803-0A	THREAD GUIDE	1
ES0805-0A	THREAD GUIDE	1
ES0807-0A	THREAD GUIDE	1
ES0809-0A	THREAD GUIDE	1
WA030001	WASHER	2
ZMB03001	SCREW (M3-0.5x4)	3
ZMB04007	SCREW (M4-0.7x5)	2
ZMB04011	SCREW (M4-0.7x8)	1
ZMB04050	SCREW (M4-0.7x8)	3
ZMH04001	SCREW (M4-0.7x4)	2
ZMQ04012	SCREW (M4-0.7x12)	2
ZMQ04014	SCREW (M4-0.7x10)	2

E. CRANKSHAFT DRIVE MECHANISM

Part No.	Name of Part	Q'TY
BB6202VNNN	BALL BEARING	1
BB6203	BALL BEARING	1
BB6203V	BALL BEARING	1
ES0401-0A	CRANKSHAFT	1
ES0405-0A	BALANCE WEIGHT	2
ES0407-0A	PIN	1
ES0412-0A	BALL BEARING COMPLETE	1
ES0415-0A	RING	1
ES0416-0A	RING	1
ES0418-0A	WASHER	1
ES0419-0A	OIL SEAL	1
ES0422-0A	BALL BEARING RETAINER	1
ES0424-0A	FAN COMPLETE	1
ES0425-0A	MACHINE PULLEY	1
ES0430-0A	COVER	1
ES0433-0A	RING	1
ES2314-0A	WORM	1
OPP01700	O RING	1
OPP03150	O RING	2
OPP04000	O RING	1
WB060002	SPRING WASHER	1
ZMB03011	SCREW (M3-0.5x8)	4
ZMB04016	SCREW (M4-0.7x10)	1
ZMC04004	SCREW (M4-0.7x10)	2
ZMH03501	SCREW (M3.5-0.6x3)	5
ZMH05001	SCREW (M5-0.8x5)	1
ZMH05004	SCREW (M5-0.8x10)	1
ZMH05009	SCREW (M5-0.8x5)	1
ZMH06003	SCREW (M5-1.0x8)	2
ZMJ06010	SCREW (M6-1.0x35)	1
ZMK06019	SCREW (M4-1.0x8)	1
ZMQ04014	SCREW (M4-0.7x10)	3

F. THREAD TENSION MECHANISM

Consew 695EX/695HEX

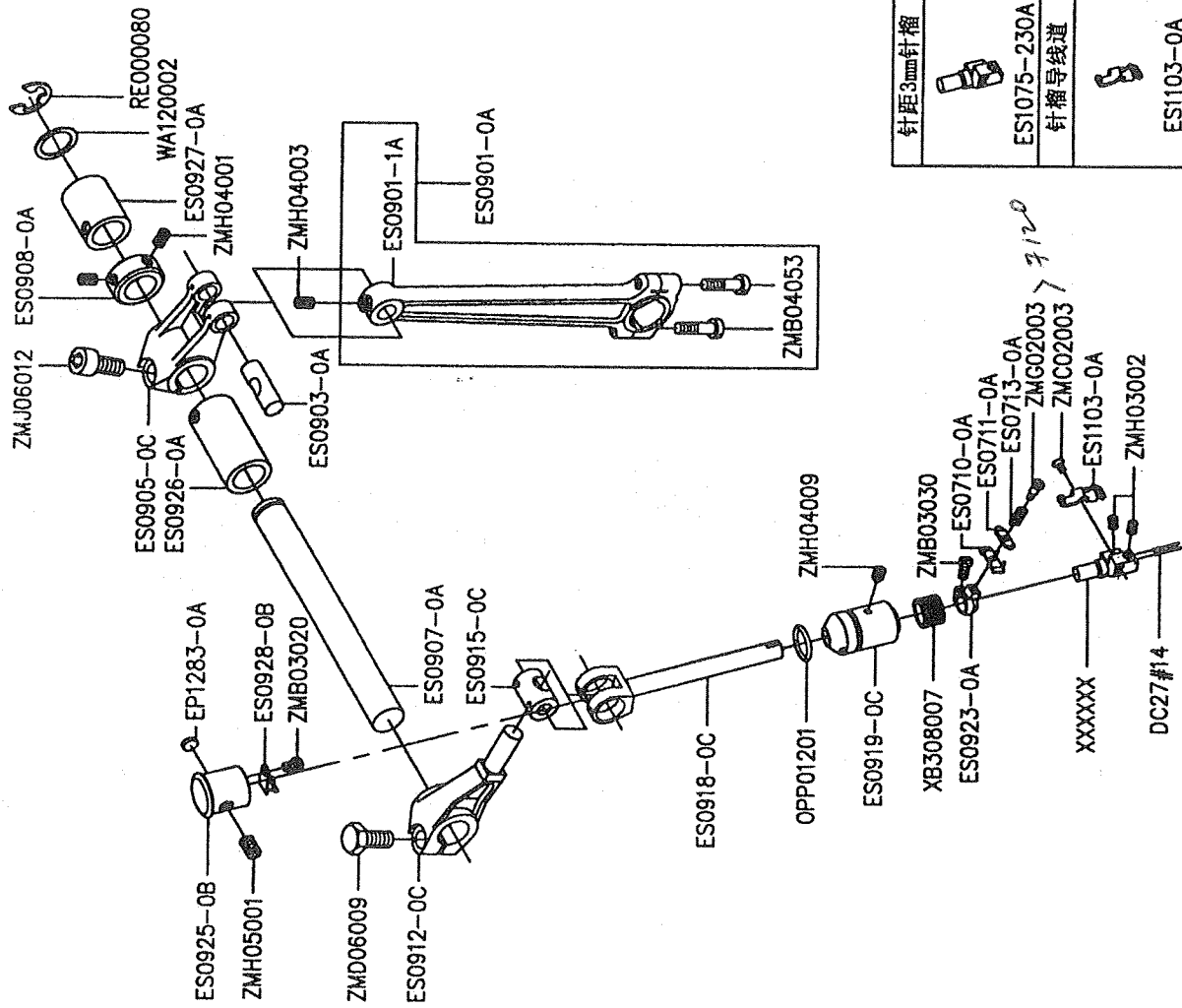


F. THREAD TENSION MECHANISM

Part No	Name of Part	Q'TY
EH1021-0A	SPRING (HEAVY)	2
EPI025-0A	TENSION DISC	8
ES0501-0A	THREAD TENSION COMPLETE	2
ES0502-0A	POST NUT	4
EH1042-0B	SPRING BUSHING	4
ES0504-0A	CUP	4
ES0507-0A	SCREW STUD	4
ES0509-0A	THREAD TENSION COMPLETE	2
ES0510-0A	SPRING (MEDIUM)	2
ES0513-0A	THREAD EYELET	1
ES0514-0A	TENSION GUIDE	4
XB123001	FELT	4

G. NEEDLE DRIVE MECHANISM

Consew 695EX/695HEX



针距3mm针槽	针距5mm针槽
ES1075-230A 针槽导线道	ES1075-250A 针槽导线道
ES1103-0A	ES1103-0A

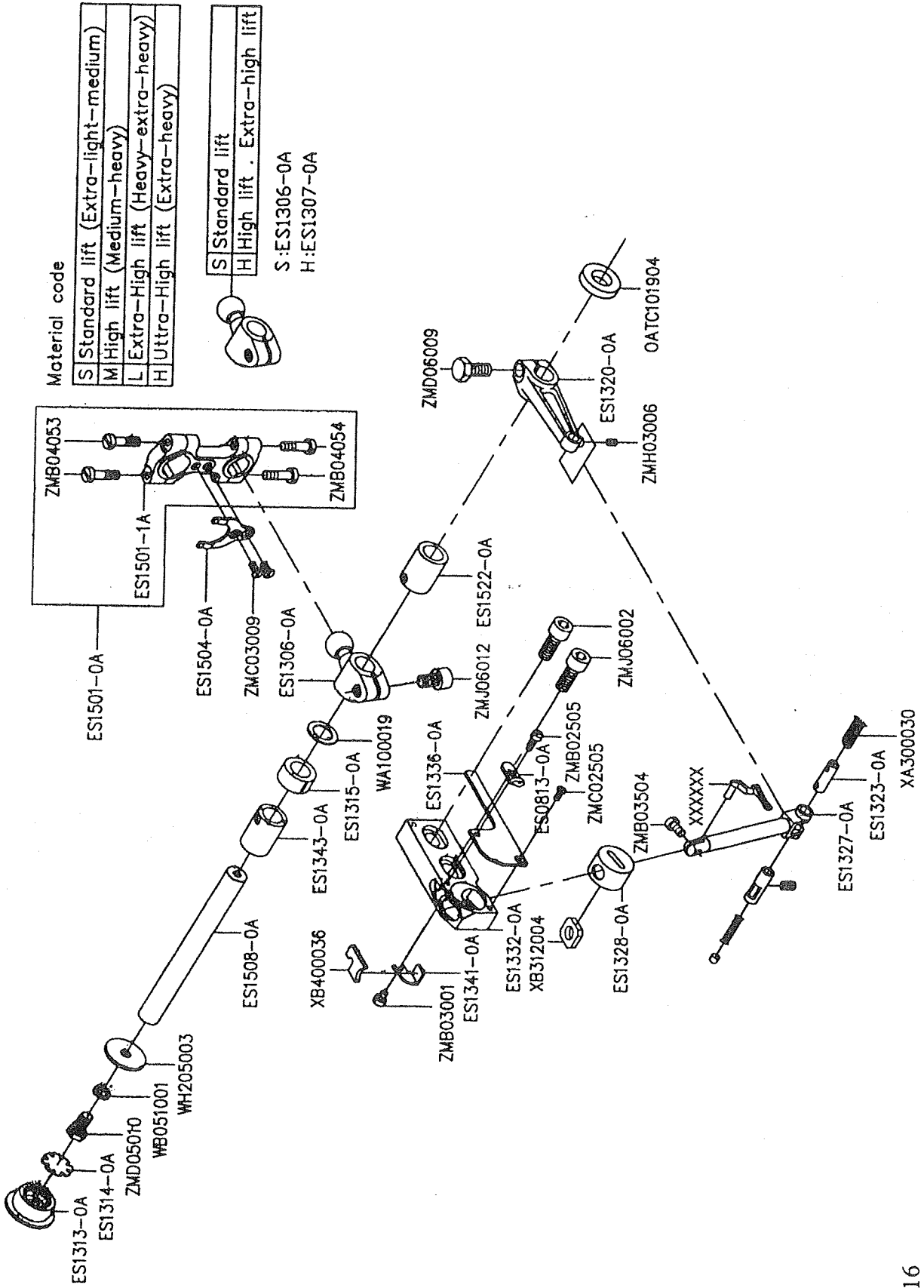
695 Hex - 142 x 5

G、CS-2500 針棒傳動機構 NEEDLE DRIVE MECHANISM

Part No	Name of Part	Q'TY	Notes
DC27#14	NEEDLE	2	
EP1283-0A	RUBBER SEAT	1	
ES0710-0A	BRACKET	1	
ES0711-0A	THREAD RETAINER	1	
ES0713-0A	SPRING	1	
ES0901-0A	CONNECTION	1	
ES0901-1A	CONNECTION	1	
ES0903-0A	PIN	1	
ES0905-0C	CRANK	1	
ES0907-0A	SHAFT	1	
ES0908-0A	COLLAR	1	
ES0912-0C	LEVER	1	
ES0915-0C	SHAFT	1	
ES0918-0C	NEEDLE BAR	1	
ES0919-0C	BUSHING	1	
ES0923-0A	RING	1	
ES0925-0B	PLUG	1	
ES0926-0A	BUSHING	1	
ES0927-0A	BUSHING	1	
ES0928-0B	PLATE	1	
ES1075-230A	NEEDLE HOLDER ASSEMBLY	1	3mm
ES1075-250A	NEEDLE HOLDER ASSEMBLY	1	5mm
ES1103-0A	THREAD GUIDE	1	
OPP01201	O RING	1	
RE000080	E RING	1	
WA120002	WASHER	1	
XB308007	FELT	1	
ZMB03020	SCREW (M3-0.5x5)	1	
ZMB03030	SCREW (M3-0.5x5.5)	1	
ZMB04053	SCREW (M4-0.7x16)	2	
ZMC02003	SCREW (M2-0.4x5)	1	
ZMD06009	SCREW (M6-1.0x12)	1	
ZMG02003	SCREW (M2-0.4x3)	1	
ZMH03002	SCREW (M3-0.5x3)	2	
ZMH04001	SCREW (M4-0.7x4)	2	
ZMH04003	SCREW (M4-0.7x5)	1	
ZMH04009	SCREW (M4-0.7x5)	1	
ZMH05001	SCREW (M5-0.8x5)	1	
ZMJ06012	SCREW (M6-0.75x12)	1	

H. UPPER LOOPER DRIVE MECHANISM

Consew 695EX/695HEX

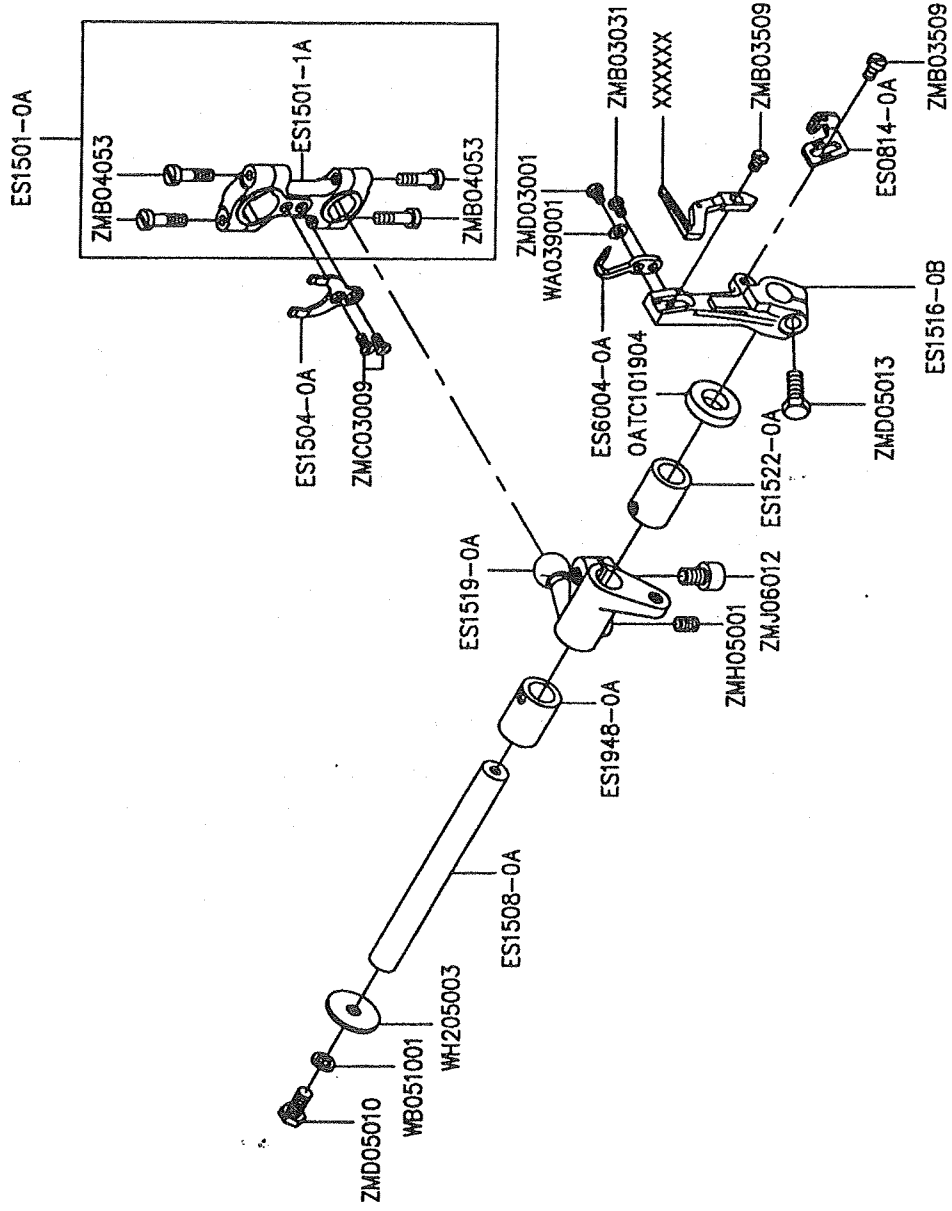


H. UPPER LOOPER DRIVE MECHANISM

Part No	Name of Part	Q'TY
ES0813-0A	TENSION GUIDE	1
ES1306-0A	CARNK	1
ES1307-0A	CARNK	1
ES1313-0A	PLUG	1
ES1314-0A	FILTER	1
ES1315-0A	SPACER	1
ES1320-0A	LEVER	1
ES1323-0A	PIN	1
ES1327-0A	UPPER LOOPER HOLDER	1
ES1328-0A	GUIDE/UPPER LOOPER HOLDER	1
ES1332-0A	BASE/UPPER LOOPER HOLDER	1
ES1336-0A	COVER	1
ES1341-0A	PLATE	1
ES1343-0A	BUSHING	1
ES1501-0A	CONNECTION	1
ES1501-1A	CONNECTION	1
ES1504-0A	GUIDE	1
ES1508-0A	SHAFT	1
ES1522-0A	BUSHING	1
OATC101904	OIL SEAL	1
WA100019	WASHER	1
WB051001	SPRIN WASHER	1
WH205003	WASHER	1
XA300030	OIL WICK	1
XB312004	FELT	1
XB400036	FELT	1
ZMB02505	SCREW (M2.5-0.45x6)	1
ZMB03001	SCREW (M3-0.5x4)	1
ZMB03504	SCREW (M3.5-0.6x6)	1
ZMB04053	SCREW (M4-0.7x16)	2
ZMB04054	SCREW (M4-0.7x13)	2
ZMC02505	SCREW (M2.5-0.45x4)	1
ZMC03009	SCREW (M3-0.5x5)	2
ZMD05010	SCREW (M5-0.8x10)	1
ZMD06009	SCREW (M6-1.0-7x12)	1
ZMH03006	SCREW (M3-0.5x4)	1
ZMJ06002	SCREW (M6-1.0x15)	2
ZMJ06012	SCREW (M6-0.75x12)	1

I. LOWER LOOPER DRIVE MECHANISM

Consew 695EX/695HEX

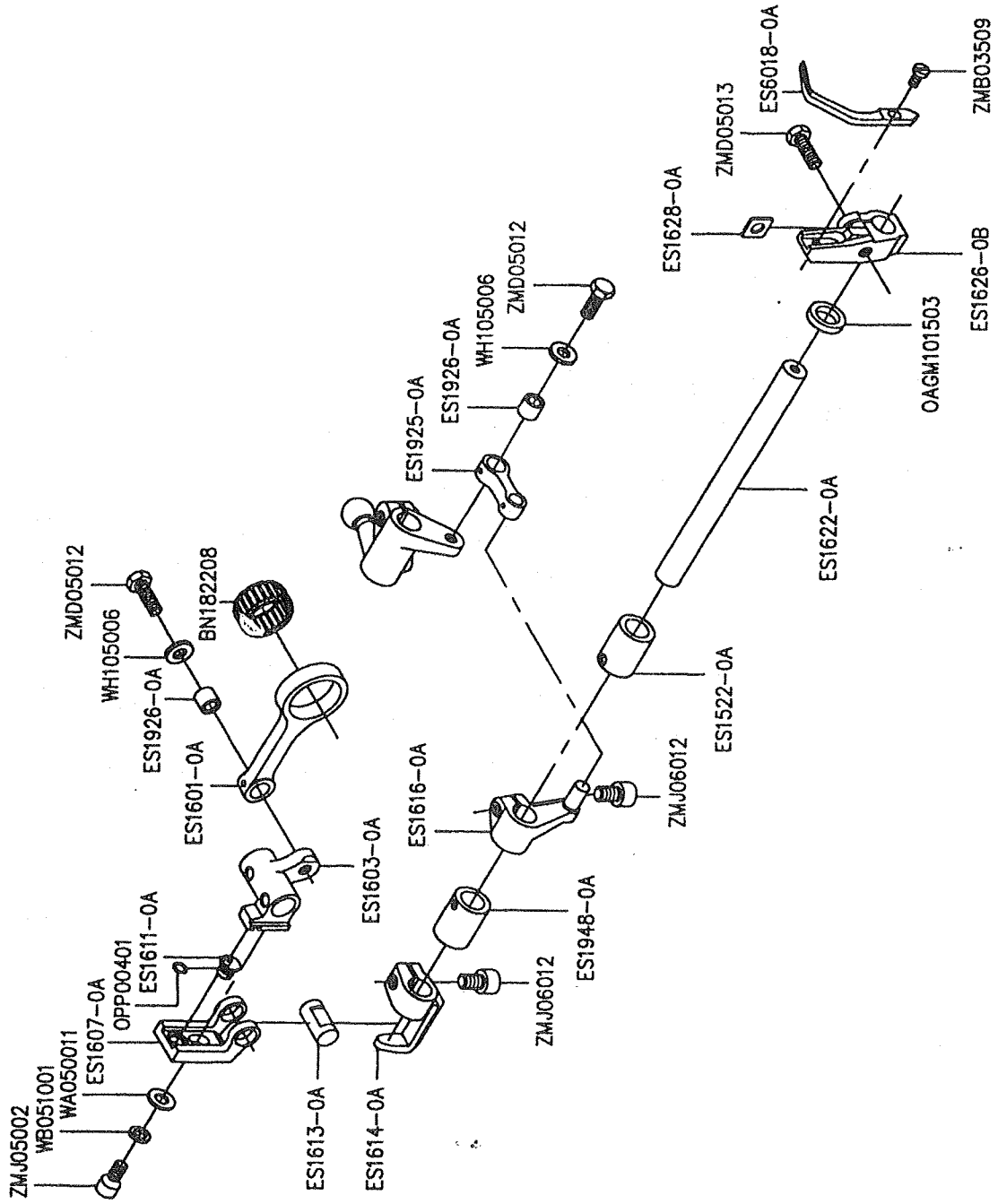


I. LOWER LOOPER DRIVE MECHANISM

Part No	Name of Part	Q'TY
ES0814-0A	TENSION GUIDE	1
ES1501-0A	CONNECTION	1
ES1501-1A	CONNECTION	1
ES1504-0A	GUIDE	1
ES1508-0A	SHAFT	1
ES1516-0B	SHAFT	1
ES1519-0A	CRANK	1
ES1522-0A	BUSHING	1
ES1948-0A	BUSHING	1
ES6004-0A	NEEDLE GUARD (REAR)	1
OATC10190	OIL SEAL	1
WA039001	WASHER	1
WB051001	SPRING WASHER	1
WH205003	WASHER	1
ZMB03031	SCREW (M3-0.5x2.5)	1
ZMB03509	SCREW (M3.5-0.6x6)	2
ZMB04053	SCREW (M4-0.7x16)	4
ZMC03009	SCREW (M3-0.5x5)	2
ZMD03001	SCREW (M3-0.5x5)	1
ZMD05010	SCREW (M5-0.8x10)	1
ZMD05013	SCREW (M5-0.8x13)	1
ZMH05001	SCREW (M5-0.8x5)	1
ZMJ06012	SCREW (M6-0.75x12)	1

J. CHAINSTITCH LOOPER DRIVE MECHANISM

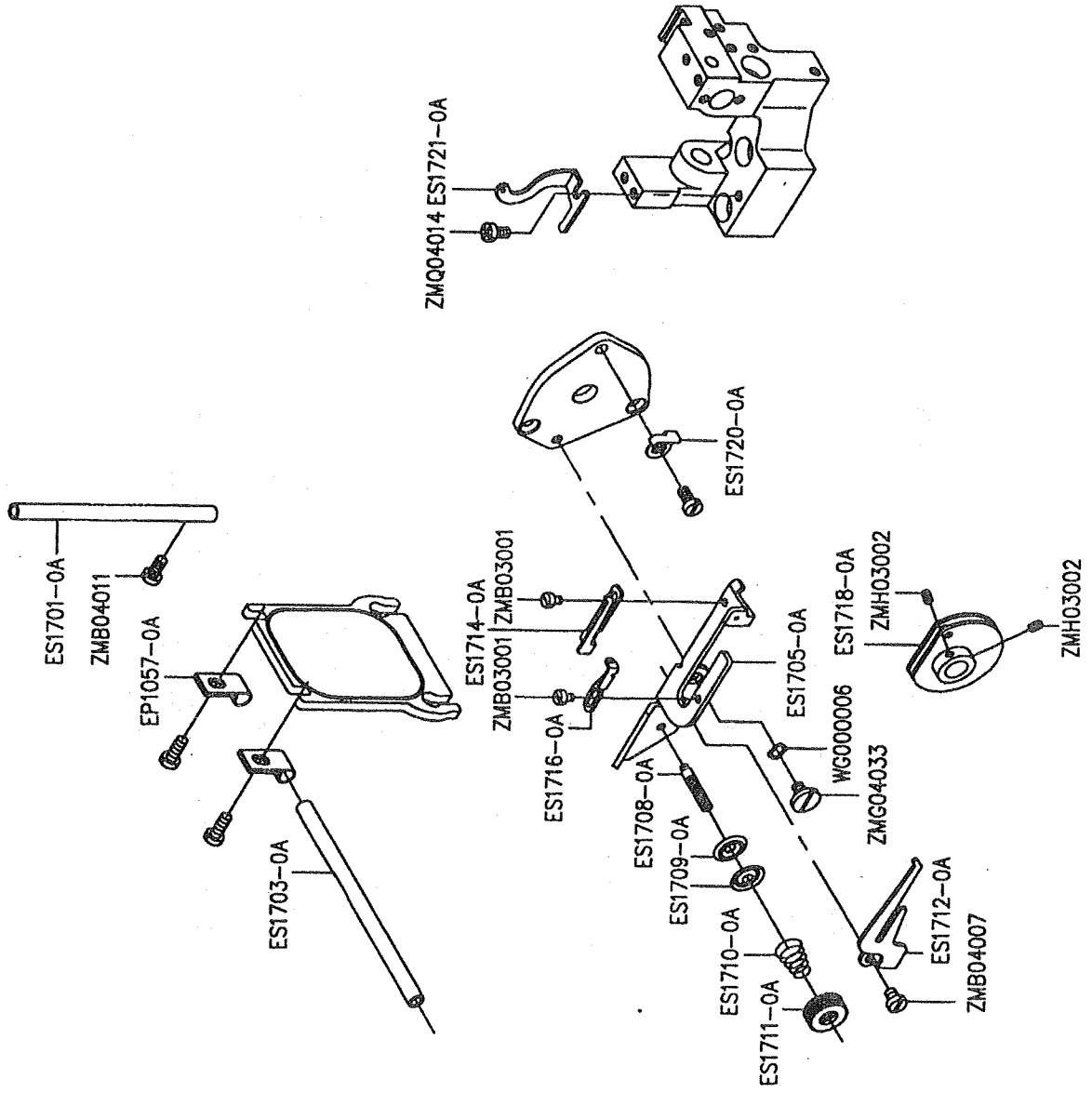
Consew 695EX/695HEX



J. CHAINSTITCH LOOPER DRIVE MECHANISM

Part No	Name of Part	Q'TY
BN182208	NEEDLE BEARING -----	1
ES1522-0A	BUSHING -----	1
ES1601-0A	CONNECTION -----	1
ES1603-0A	CRANK -----	1
ES1607-0A	SLIDER -----	1
ES1611-0A	PIN -----	1
ES1613-0A	SHAFT -----	1
ES1614-0A	HOLDER -----	1
ES1616-0A	CRANK -----	1
ES1622-0A	SHAFT -----	1
ES1626-0B	LOOPER HOLDER -----	1
ES1628-0A	SPACER -----	1
ES1925-0A	LINK -----	1
ES1926-0A	BUSHING -----	1
ES1948-0A	BUSHING -----	1
ES6018-0A	LOWER LOOPER -----	1
OAGM1015	OIL SEAL -----	1
OPP00401	O RING -----	1
WA050011	WASHER -----	1
WB051001	SPRING WASHER -----	1
WH105006	WASHER -----	2
ZMB03509	SCREW (M3.5-0.6x6) -----	1
ZMD05012	SCREW (M5-0.8x13) -----	2
ZMD05013	SCREW (M5-0.8x13) -----	1
ZMJ05002	SCREW (M5-0.8x12) -----	1
ZMJ06012	SCREW (M6-0.75x12) -----	2

K. CHAINSTITCH LOOPER DRIVE MECHANISM *Consew 695EX/695HEX*



K. CHAINSTITCH LOOPER DRIVE MECHANISM

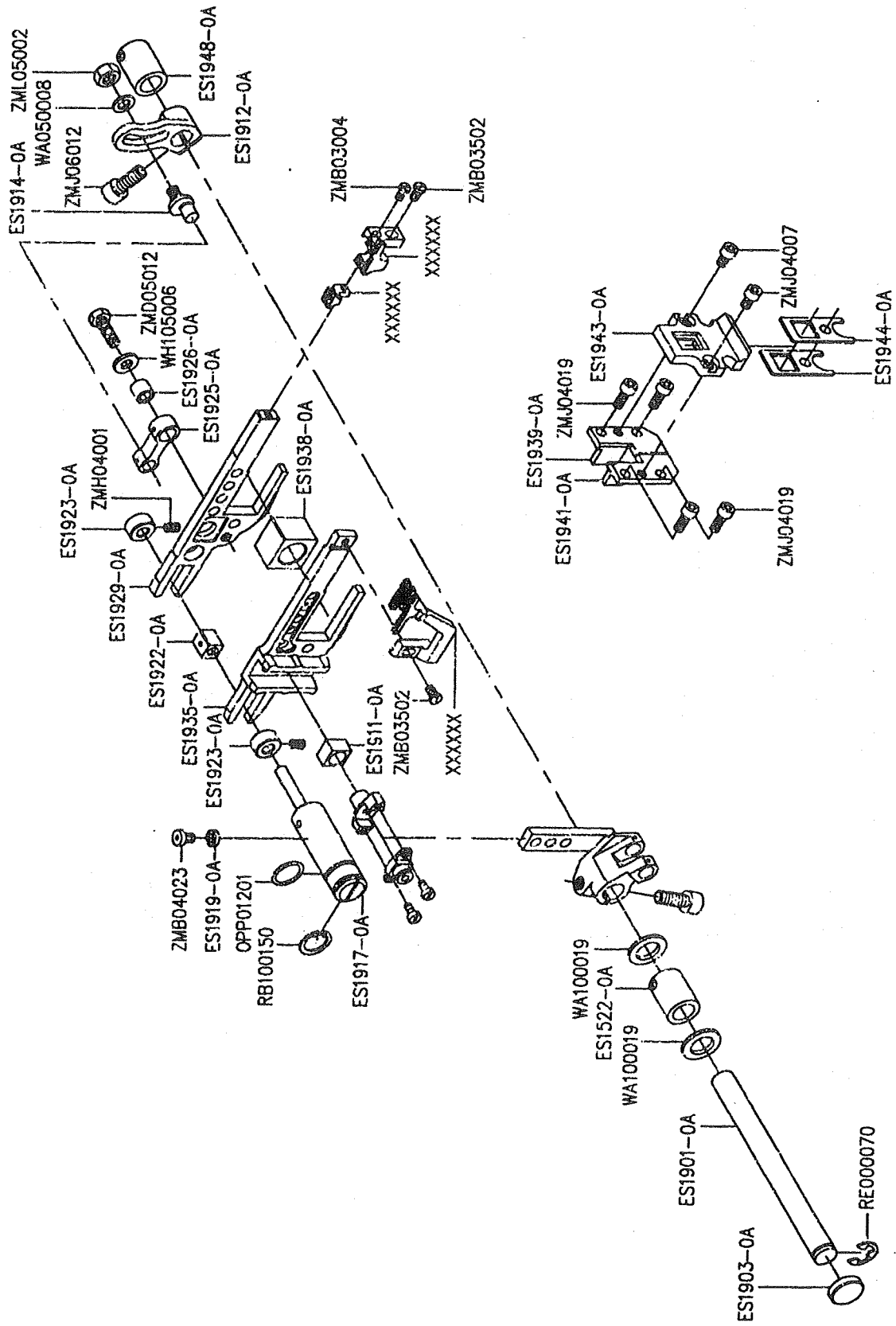
Part No	Name of Part	Q'TY
EPI057-0A	HOLDER -----	3
ESI701-0A	THREAD GUIDE -----	1
ESI703-0A	THREAD GUIDE -----	1
ESI705-0A	BRACKET -----	1
ESI708-0A	SCREW -----	1
ESI709-0A	TENSION DISC -----	2
ESI710-0A	SPRING -----	1
ESI711-0A	KNOB -----	1
ESI712-0A	THREAD GUIDE -----	1
ESI714-0A	THREAD GUIDE -----	1
ESI716-0A	THREAD GUIDE -----	1
ESI718-0A	LOOPER THREAD TAKEUP ASSEMBLY -----	1
ESI720-0A	SPRING -----	1
ESI721-0A	THREAD GUIDE -----	1
WG000006	WASHER -----	1
ZMB03001	SCREW (M3-0.5x4) -----	2
ZMB04007	SCREW (M4-0.7x5) -----	1
ZMB04011	SCREW (M4-0.7x8) -----	1
ZMG04033	SCREW (M4-0.7x3.8) -----	1
ZMH03002	SCREW (M3-0.5x3) -----	2
ZMQ04014	SCREW (M4-0.7x10) -----	1

L. FEED MECHANISM

Part No.	Name of Part	Q'TY	Part No.	Name of Part	Q'TY
BN22610	NEEDLE BEARING	1	OPP00600	O RING	1
ES0903-0A	PIN	1	RE000030	E RING	1
ES1801-0A	CONNECTION	1	RE000060	E RING	1
ES1805-0A	ECCENTRIC	1	WA040013	WASHER	2
ES1806-0A	GUIDE/FEED ECCENTRIC	1	WA059006	WASHER	1
ES1807-0A	FLAT SPRING	1	WC060004	SPRING WASHER	1
ES1810-0A	REGULATOR	1	ZMB03004	SCREW (M3-0.5x5.7)	2
ES1812-0A	ECCENTRIC ASSEMBLY	1	ZMG02004	SCREW (M2-0.4x3)	1
ES1813-0A	SPRING	1	ZMG05016	SCREW (M5-0.8x8.4)	1
ES1815-0A	RATCHET	1	ZMG05017	SCREW (M5-0.8x5.5)	1
ES1816-0A	PUSH BUTTON	1	ZMH03001	SCREW (M3-0.5x4)	2
ES1817-0A	GASKET	1	ZMH04005	SCREW (M4-0.7x6)	1
ES1819-0A	SPRING	1	ZMH05009	SCREW (M5-0.8x5)	2
ES1821-0A	LINK	1	ZMJ06012	SCREW (M6-0.75x12)	2
ES1824-0A	LEVER	1	ZMK06018	SCREW (M6-1.0x17.7)	1
ES1826-0A	LEVER	1	ZMQ04011	SCREW (M4-0.7x6)	2
ES1828-0A	SHAFT	1	ZMQ04012	SCREW (M4-0.7x12)	2
ES1830-0A	SPRING	1			
ES1831-0A	REGULATOR PLATE	1			
ES1833-0A	SPACER	2			
ES1834-0A	NUT	1			
ES1837-0A	STOPPER	2			
ES1840-0A	ADJUSTING BAR	1			
ES1841-0A	SEAL	1			
ES1843-0A	SPRING	1			
ES1844-0A	PIN	1			
ES1845-0A	BUSHING	1			
ES1906-0A	CRANK	1			
ES1908-0A	CRANK PIN	1			
ES1909-0A	CRANK PIN	1			
OPP00400	O RING	1			

M. FEED MECHANISM

Consew 695EX/695HEX



M. FEED MECHANISM

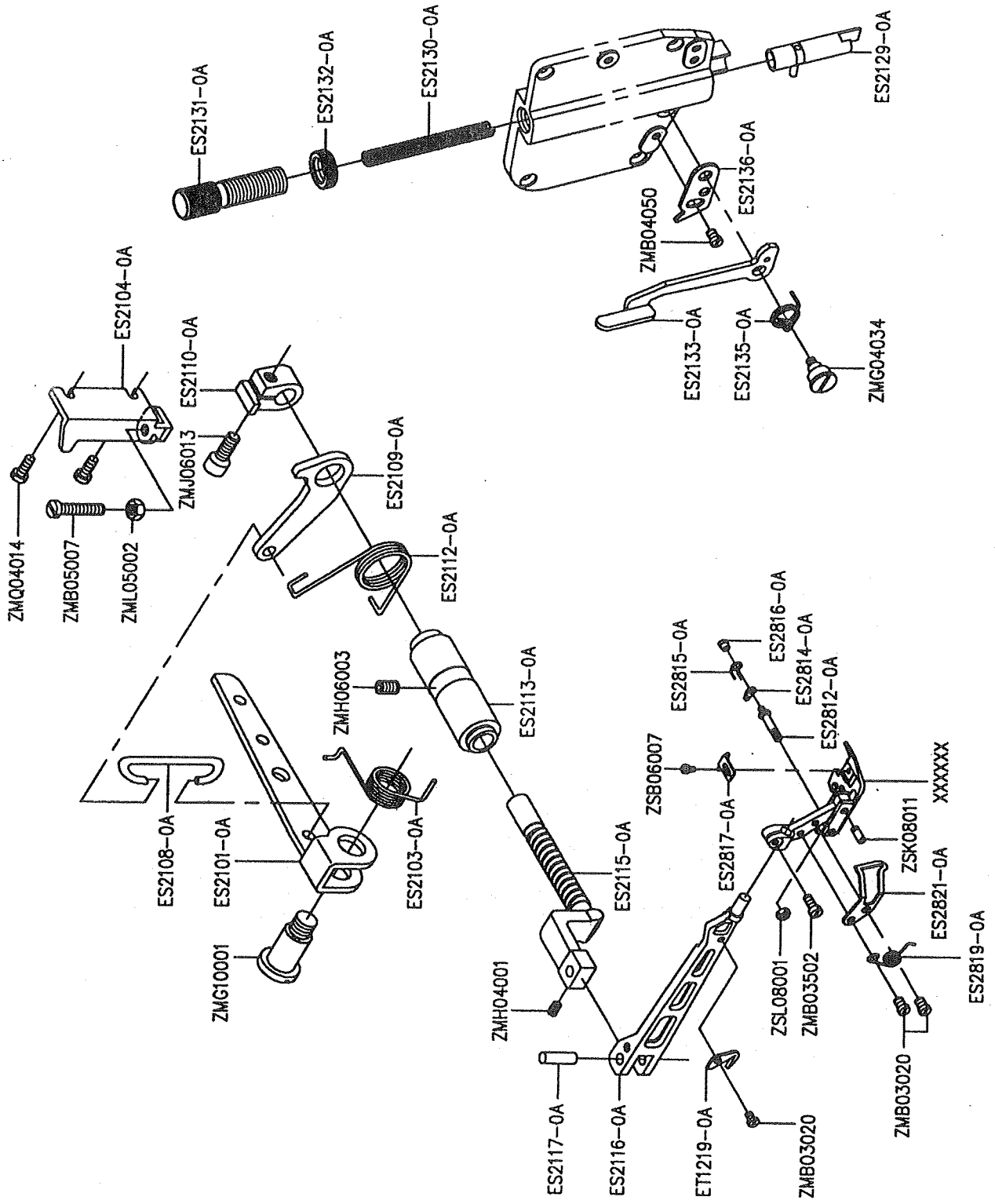
Part No.	Name of Part	Q'TY
ES1522-0A	BUSHING	1
ES1901-0A	SHAFT	1
ES1903-0A	PLUG	1
ES1911-0A	BLOCK	1
ES1912-0A	CRANK	1
ES1914-0A	PIN	1
ES1917-0A	PIN	1
ES1919-0A	GASKET	1
ES1922-0A	BLOCK	1
ES1923-0A	COLLAR	2
ES1925-0A	LINK	1
ES1926-0A	BUSHING	1
ES1929-0A	MAIN FEED BAR	1
ES1935-0A	DIFFERENTIAL FEED BAR	1
ES1938-0A	BLOCK	1
ES1939-0A	GUIDE/FEED BAR	1
ES1941-0A	GUIDE(LEFE)/FEED BAR	1
ES1943-0A	GUIDE/FEED BAR OIL SEAL	1
ES1944-0A	OIL SEAL	2
ES1948-0A	BUSHING	1
OPP01201	O RING	1
RB100150	C RING	1
RE000070	E RING	1
WA050008	WASHER	1
WA100019	WASHER	2
WH105006	WASHER	1
ZMB03004	SCREW (M3-0.5x5.7)	1
ZMB03502	SCREW (M3.5-0.6x8)	2
ZMB04023	SCREW (M4-0.7x6)	1
ZMD05012	SCREW (M5-0.8x13)	1
ZMH04001	SCREW (M4-0.7x4)	2
ZMJ04007	SCREW (M4-0.7x5)	2
ZMJ04019	SCREW (M4-0.7x8)	4
ZMJ06012	SCREW (M6-0.75x12)	1
ZML05002	NUT (M5)	1

N. KNIFE DRIVE MECHANISM

Part No.	Name of Part	Q'TY
ES0621-0A	THREAD TAKEUP	1
ES0903-0A	PIN	1
ES1948-0A	BUSHING	1
ES2001-0A	CONNECTION	1
ES2001-1A	CONNECTION	1
ES2004-0A	CRANK	1
ES2008-0A	COLLAR	1
ES2010-0A	UPPER KNIFE LEVER	1
ES2012-0A	SCREW	1
ES2013-0A	PIN	1
ES2015-0A	UPPER KNIFE CLAMP	1
ES2017-0A	UPPER KNIFE	1
ES2029-0A	LOWER KNIFE HOLDER	1
ES2031-0A	GUIDE/LOWER KNIFE HOLDER	1
ES2033-0A	SPRING	1
ES2034-0A	PLATE	1
ES2036-0A	LOWER KNIFE/THICK	1
ES2037-0A	LOWER KNIFE CLAMP	1
ES2039-0A	BUSHING	1
ZMB03021	SCREW (M3-0.5x6.5)	2
ZMB03502	SCREW (M3.5-0.6x8)	1
ZMB04011	SCREW (M4-0.7x8)	1
ZMB04016	SCREW (M4-0.7x10)	1
ZMB04053	SCREW (M4-0.7x16)	2
ZMD05010	SCREW (M5-0.8x10)	1
ZMH04003	SCREW (M4-0.7x5)	1
ZMH06007	SCREW (M6-1.0x5)	1
ZMJ06012	SCREW (M6-0.75x12)	1
ZML04006	NUT (M4)	1
ZMQ04006	SCREW (M4-0.7x8)	3
ZMQ04010	SCREW (M4-0.7x16)	1

O. PRESSER FOOT MECHANISM

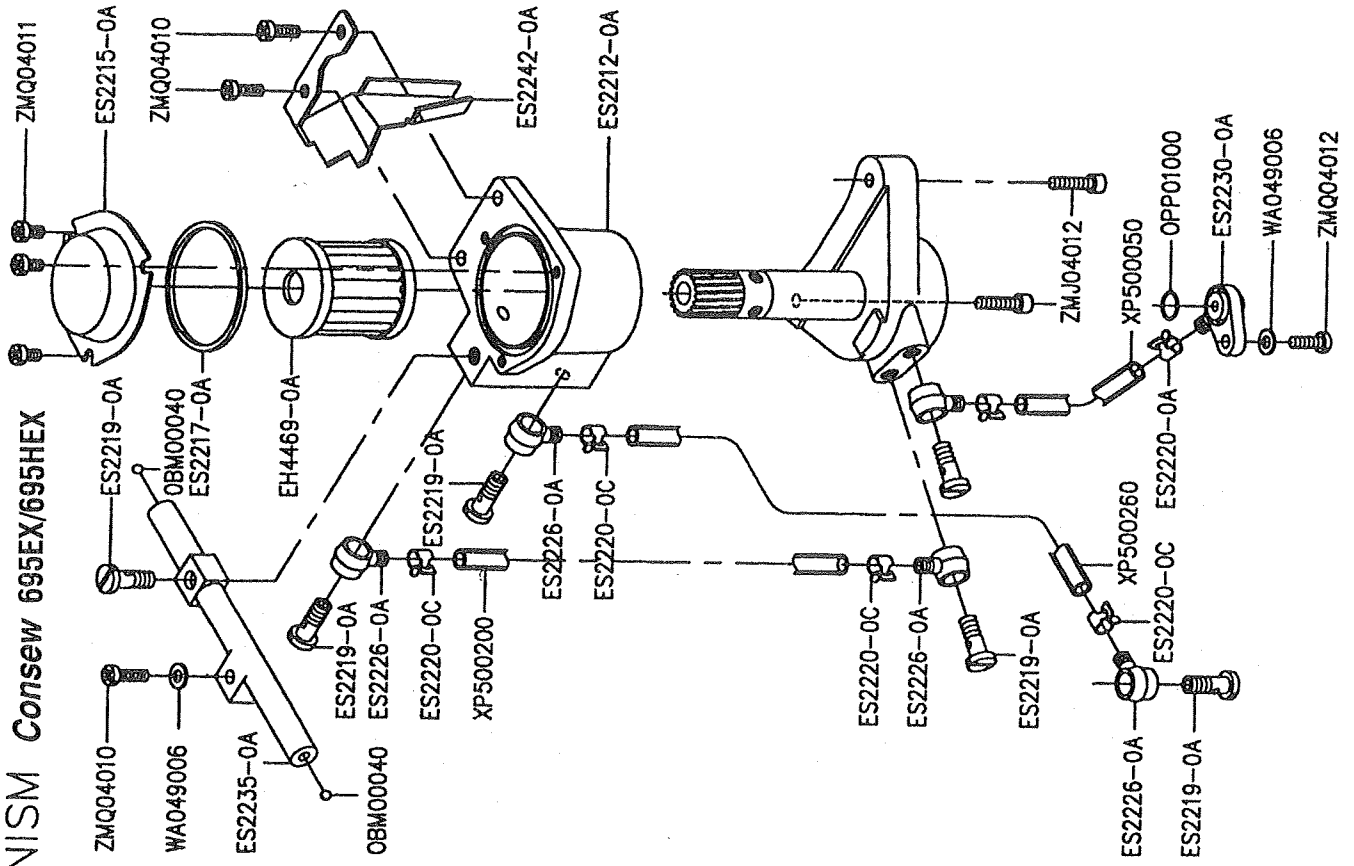
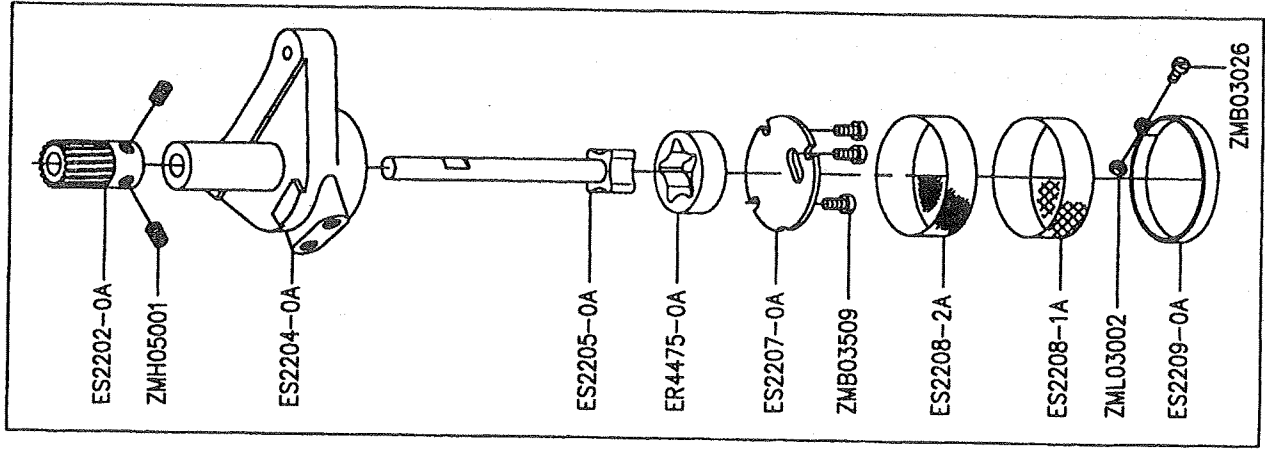
Consew 695EX/695HEX



O. PRESSER FOOT MECHANISM

Part No.	Name of Part	Q'TY	Part No.	Name of Part	Q'TY
ES2101-0A	LEVER	1	ZMG10001	SCREW (M10-1.5x9)	1
ES2103-0A	SPRING	1	ZMH04001	SCREW (M4-0.7x4)	1
ES2104-0A	STOPPER	1	ZMH06003	SCREW (M6-1.0x8)	1
ES2108-0A	LINK	1	ZM106013	SCREW (M6-0.75x14)	1
ES2109-0A	LEVER	1	ZML05002	NUT (M5)	1
ES2110-0A	COLLAR	1	ZM004014	SCREW (M4-0.7x10)	2
ES2112-0A	SPRING	1	ZSB06007	SCREW (3/32-56x3)	1
ES2113-0A	BUSHING	1	ZSK08011	SCREW (1/8-44x8)	1
ES2115-0A	SHAFT	1	ZSL08001	NUT (1/8-44)	1
ES2116-0A	PRESSER ARM	1			
ES2117-0A	PIN	1			
ES2129-0A	PRESSER BAR	1			
ES2130-0A	SPRING	1			
ES2131-0A	ADJUSTING SCREW	1			
ES2132-0A	NUT	1			
ES2133-0A	LEVER	1			
ES2135-0A	SPRING	1			
ES2136-0A	STOPPER	1			
ES2812-0A	PIN	1			
ES2814-0A	LATCH	1			
ES2815-0A	SPRING	1			
ES2816-0A	NUT	1			
ES2817-0A	FABRIC GUARD	1			
ES2819-0A	SPRING	1			
ES2821-0A	FINGER GUARD	1			
ET1219-0A	CHAIN CUTTER	1			
ZMB03020	SCREW (M3-0.5x5)	3			
ZMB03502	SCREW (M3.5-0.6x8)	1			
ZMB04050	SCREW (M4-0.7x8)	1			
ZMB05007	SCREW (M5-0.8x25)	1			
ZMG04034	SCREW (M4-0.7x4)	1			

P. LUBRICATION MECHANISM *Consew 695EX/695HEX*

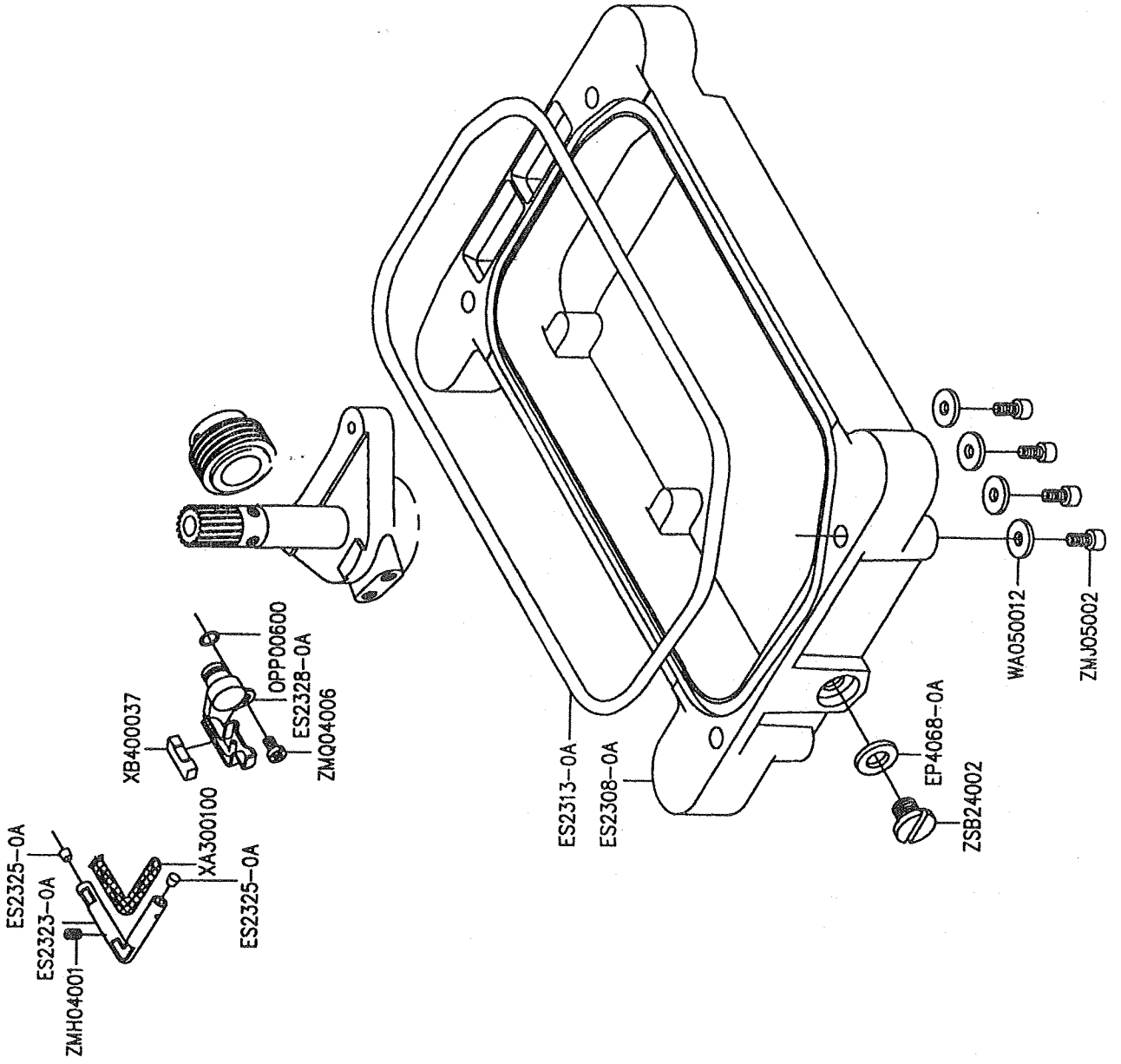


P. LUBRICATION MECHANISM

Part No.	Name of Part	Q'TY
EH4469-0A	OIL FILTER	1
ER4475-0A	ROTOR (OUTSIDE)	1
ES2202-0A	WORM WHEEL	1
ES2204-0A	PUMP BODY	1
ES2205-0A	ROTOR (INSIDE) SHAFT	1
ES2207-0A	CASING PLATE	1
ES2208-1A	FILTER	1
ES2208-2A	FILTER	1
ES2209-0A	GUIDE	1
ES2212-0A	TANK	1
ES2215-0A	COVER	1
ES2217-0A	O RING	1
ES2219-0A	SCREW	6
ES2220-0C	CLAMP	6
ES2226-0A	JOINT	1
ES2230-0A	JOINT	1
ES2235-0A	OIL DISTRIBUTOR	1
ES2242-0A	PLATE	1
OBM00040	PLUG	2
OPP01000	O RING	1
WA049006	WASHER	1
XP500050	TUBE	1
XP500200	TUBE	1
XP500260	TUBE	1
ZMB03026	SCREW (M3-0.5x8)	1
ZMB03509	SCREW (M3.5-0.6x6)	3
ZMH05001	SCREW (M5-0.8x5)	2
ZMJ04012	SCREW (M4-0.7x16)	2
ZML03002	NUT (M3)	1
ZMO04010	SCREW (M4-0.7x16)	3
ZMQ04011	SCREW (M4-0.7x6)	3
ZMQ04012	SCREW (M4-0.7x12)	1

Q. LUBRICATION MECHANISM

Consew 695EX/695HEX

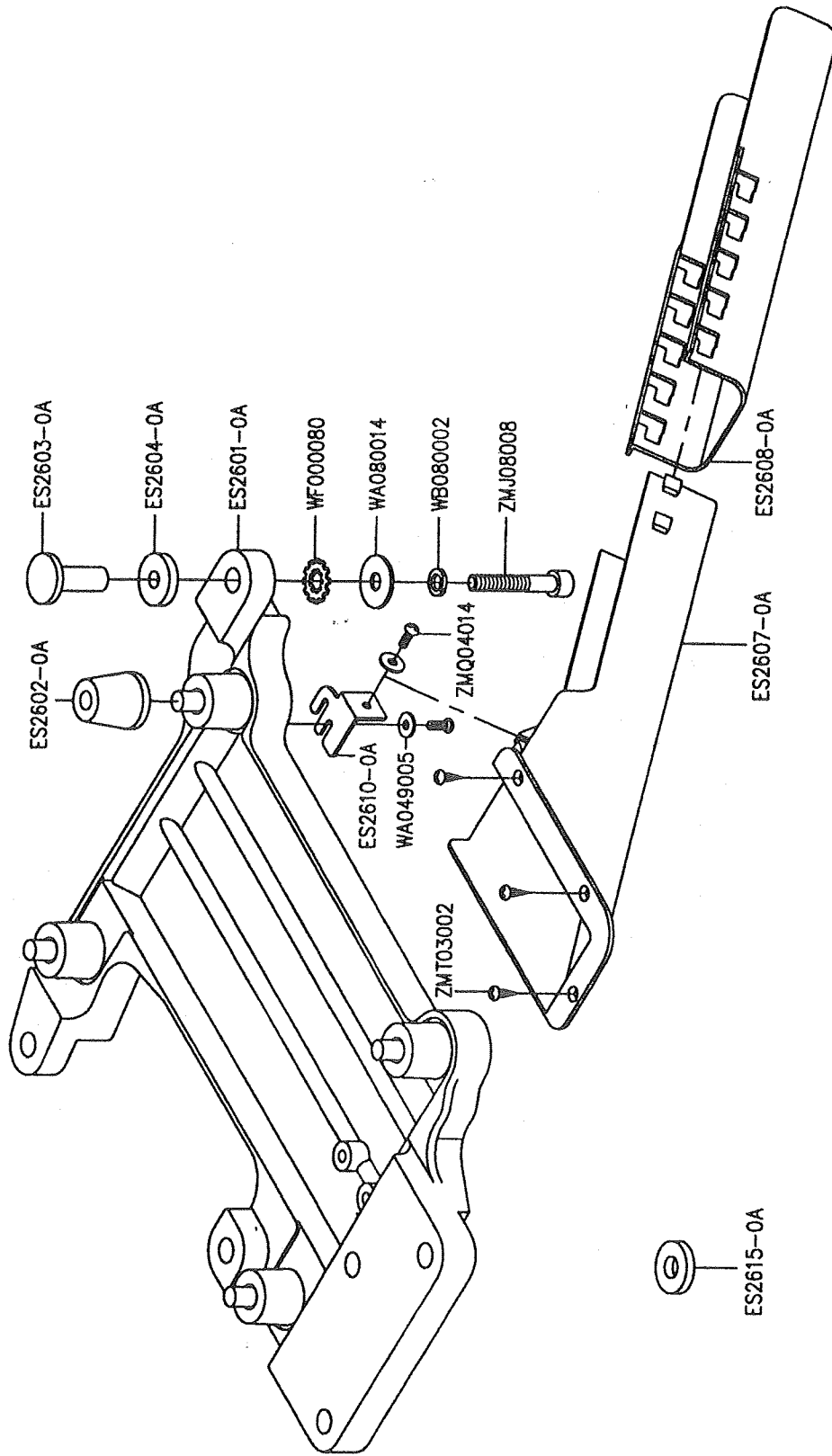


Q、CS-2500 給油機構 LUBRICATION MECHANISM

Part No.	Name of Part	Q'TY
EP4068-0A	DRAIN HOLE SEAL	1
ES2308-0A	OIL RESERVOIR	1
ES2313-0A	GASKET	1
ES2323-0A	PIPE	1
ES2325-0A	PLUG	2
ES2328-0A	JOINT	1
OPP00600	O RING	1
WA050012	WASHER	4
XA300100	OIL WICK	1
XB400037	FELT	1
ZMH04001	SCREW (M4-0.7x4)	1
ZMJ05002	SCREW (M5-0.8x12)	4
ZMQ04006	SCREW (M4-0.7x8)	1
ZSB24002	SCREW (3/8-24x8)	1

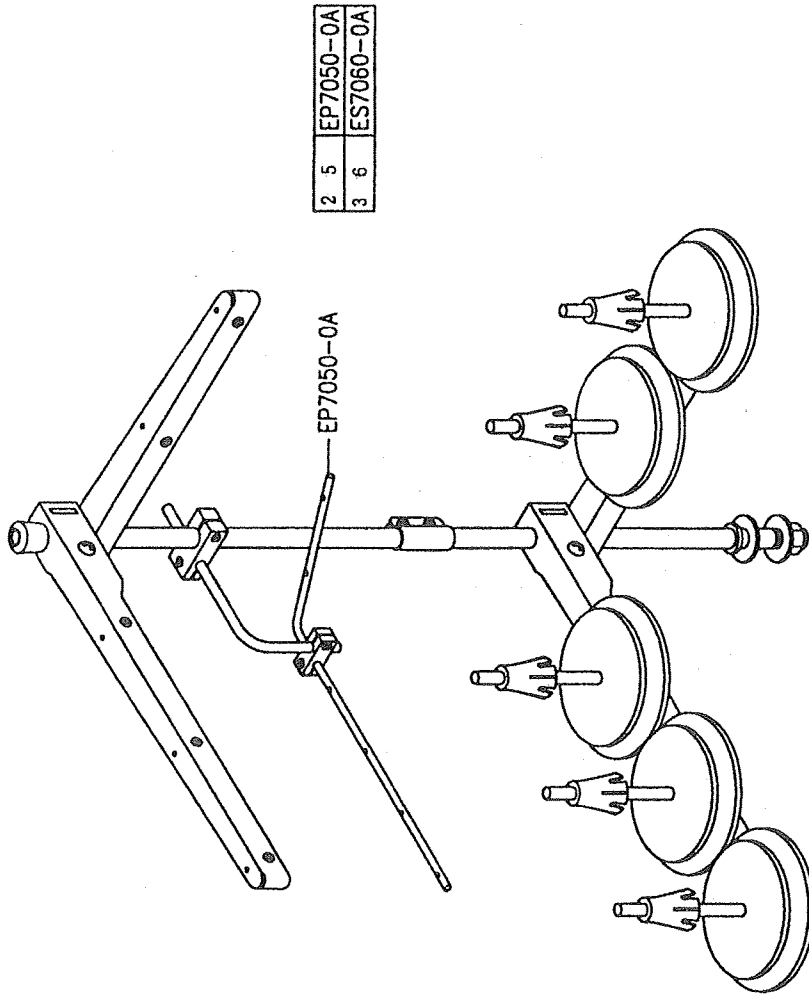
R. PARTS FOR SEMI-SUBMERGED INSTALLATION

Consew 695EX/695HEX



S. ACCESSORIES

Consew 695EX/695HEX



S. ACCESSORIES

Part No	Name of Part	Q'TY	Notes
EP7050-0A	THREAD STAND, COMPLETE SET	--	1 3-6
ES7040-0A	THREAD STAND, COMPLETE SET	--	1 2-5

T. NUMERICAL PARTS-LIST 1

PARTS NO.	PAGE	PARTS NO.	PAGE	PARTS NO.	PAGE	PARTS NO.	PAGE	PARTS NO.	PAGE
A1019-0A	2	ES0210-0A	4	ES0401-0A	10	ES0621-0A	28	ES1075-250A	14
BB6202VNN	10	ES0213-0A	4	ES0405-0A	10	ES0710-0A	14	ES1103-0A	14
BB6203	10	ES0215-0A	4	ES0407-0A	10	ES0711-0A	14	ES1219-0A	2
BB6203V	10	ES0216-0A	4	ES0412-0A	10	ES0713-0A	14	ES1223-0A	2
BN182208	20	ES0220-0A	4	ES0415-0A	10	ES0801-0A	8	ES1225-0A	2, 4, 6
BN222610	24	ES0221-0A	4	ES0416-0A	10	ES0802-0A	8	ES1226-0A	2
DC27#14	14	ES0225-0A	4	ES0418-0A	10	ES0803-0A	8	ES1306-0A	16
EH1021-0A	12	ES0227-0A	4	ES0419-0A	10	ES0805-0A	8	ES1307-0A	16
EH4469-0A	32	ES0231-0B	8	ES0422-0A	10	ES0807-0A	8	ES1313-0A	16
ES1015-0A	2	ES0232-0A	8	ES0424-0A	10	ES0809-0A	8	ES1314-0A	16
ES1018-0A	2	ES0235-0A	4	ES0425-0A	10	ES0813-0A	16	ES1315-0A	16
EP1025-0A	12	ES0301-0A	6, 14	ES0430-0A	10	ES0814-0A	18	ES1320-0A	16
EP1057-0A	22	ES0302-2A	6	ES0433-0A	10	ES0901-0A	14	ES1323-0A	16
EP1283-0A	14	ES0303-0A	6	ES0501-0A	12	ES0901-1A	14	ES1327-0A	16
EP1361-0A	4	ES0309-0A	6	ES0502-0A	12	ES0903-0A	24, 28	ES1328-0A	16
EP4068-0A	34	ES0316-0A	6	ES0503-0A	12	ES0905-0C	14	ES1332-0A	16
EP7050-0A	38	ES0318-0A	2	ES0504-0A	12	ES0908-0A	14	ES1336-0A	16
ER4475-0A	32	ES0320-0A	2	ES0507-0A	12	ES0912-0C	14	ES1341-0A	16
ES0108-0A	2	ES0322-0A	6	ES0509-0A	12	ES0915-0C	14	ES1343-0A	16
ES0109-0A	2	ES0324-0A	6	ES0510-0A	12	ES0918-0C	14	ES1501-0A	16, 18
ES0111-0A	2	ES0325-0A	6	ES0513-0A	12	ES0919-0C	14	ES1501-1A	16, 18
ES0113-0A	2	ES0326-0A	6	ES0514-0A	12	ES0923-0A	14	ES1504-0A	16, 18
ES0116-0A	2	ES0326-1A	6	ES0601-0A	8	ES0925-0B	14	ES1508-0A	16, 18
ES0117-0A	2	ES0331-0A	4	ES0603-0A	8	ES0926-0A	14	ES1516-0B	18
ES0201-0A	4	ES0334-0A	6	ES0606-0A	8	ES0927-0A	14	ES1519-0A	18
ES0203-0A	4	ES0336-0A	6	ES0608-0A	8	ES0928-0B	14	ES1522-0A	16, 18, 20, 26
ES0206-0A	4	ES0339-0A	6	ES0610-0A	8	ES1016-01C	2	ES1601-0A	20
ES0207-0A	4	ES0352-0A	4	ES0614-0A	8	ES1075-230A	14	ES1603-0A	20

T. NUMERICAL PARTS-LIST 2

PARTS NO.	PAGE	PARTS NO.	PAGE	PARTS NO.	PAGE	PARTS NO.	PAGE	PARTS NO.	PAGE	PARTS NO.	PAGE
ES1607-0A	0	ES1815-0A	24	ES1922-0A	26	ES2039-0A	28	ES2217-0A	32		
ES1611-0A	20	ES1816-0A	24	ES1923-0A	26	ES2101-0A	30	ES2219-0A	32		
ES1613-0A	20	ES1817-0A	24	ES1925-0A	20,26	ES2103-0A	30	ES2220-0C	2,32		
ES1614-0A	20	ES1819-0A	24	ES1926-0A	20,26	ES2104-0A	30	ES2226-0A	32		
ES1616-0A	20	ES1821-0A	24	ES1929-0A	26	ES2108-0A	30	ES2230-0A	32		
ES1622-0A	20	ES1824-0A	24	ES1935-0A	26	ES2109-0A	30	ES2235-0A	32		
ES1626-0B	20	ES1826-0A	24	ES1938-0A	26	ES2110-0A	30	ES2242-0A	32		
ES1628-0A	20	ES1828-0A	24	ES1939-0A	26	ES2112-0A	30	ES2308-0A	34		
ES1701-0A	22	ES1830-0A	24	ES1941-0A	26	ES2113-0A	30	ES2313-0A	34		
ES1703-0A	22	ES1831-0A	24	ES1943-0A	26	ES2115-0A	30	ES2314-0A	10		
ES1705-0A	22	ES1833-0A	24	ES1944-0A	26	ES2116-0A	30	ES2317-0A	2		
ES1708-0A	22	ES1834-0A	24	ES1948-0A	18,20,26,28	ES2117-0A	30	ES2319-0A	2		
ES1709-0A	22	ES1837-0A	24	ES2000-0A	6	ES2129-0A	30	ES2323-0A	34		
ES1710-0A	22	ES1840-0A	24	ES2001-0A	28	ES2130-0A	30	ES2325-0A	34		
ES1711-0A	22	ES1841-0A	24	ES2001-1A	28	ES2131-0A	30	ES2328-0A	34		
ES1712-0A	22	ES1843-0A	24	ES2004-0A	28	ES2132-0A	30	ES2341-0A	2		
ES1714-0A	22	ES1844-0A	24	ES2008-0A	28	ES2133-0A	30	ES2401-0A	2		
ES1716-0A	22	ES1845-0A	24	ES2010-0A	28	ES2135-0A	30	ES2402-0A	2		
ES1718-0A	22	ES1901-0A	26	ES2012-0A	28	ES2136-0A	30	ES2407-0A	2		
ES1720-0A	22	ES1903-0A	2,26	ES2013-0A	28	ES2202-0A	32	ES2409-0A	2		
ES1721-0A	22	ES1906-0A	24	ES2015-0A	28	ES2204-0A	32	ES2410-0A	2		
ES1801-0A	24	ES1908-0A	24	ES2017-0A	28	ES2205-0A	32	ES2420-0A	2		
ES1805-0A	24	ES1909-0A	24	ES2029-0A	28	ES2207-0A	32	ES2421-0A	2		
ES1806-0A	24	ES1911-0A	26	ES2031-0A	28	ES2208-1A	32	ES2426-0A	2		
ES1807-0A	24	ES1912-0A	26	ES2033-0A	28	ES2208-2A	32	ES2601-0A	36		
ES1810-0A	24	ES1914-0A	26	ES2034-0A	28	ES2209-0A	32	ES2602-0A	36		
ES1812-0A	24	ES1917-0A	26	ES2036-0A	28	ES2212-0A	32	ES2603-0A	36		
ES1813-0A	24	ES1919-0A	26	ES2037-0A	28	ES2215-0A	32	ES2604-0A	36		

T. NUMERICAL PARTS-LIST 3

PARTS NO.	PAGE	PARTS NO.	PAGE	PARTS NO.	PAGE	PARTS NO.	PAGE	PARTS NO.	PAGE	PARTS NO.	PAGE
ES2607-0A	36	OPP04000	10	WH205003	16,18	ZMB03026	32	ZMD05012	32	ZMD05012	20,26
ES2608-0A	36	RE100150	26	XA300015	2	ZMB03030	14	ZMD05013	14	ZMD05013	18,20
ES2610-0A	36	RE000030	24	XA300030	16	ZMB03031	18	ZMD06009	18	ZMD06009	14,16
ES2615-0A	36	RE000060	24	XA300100	34	ZMB03502	26,28,30	ZMG02003	26,28,30	ZMG02003	14
ES2812-0A	30	RE000070	26	XA300120	2	ZMB03504	16	ZMG02004	16	ZMG02004	24
ES2814-0A	30	RE000080	14	XE123001	12	ZMB03507	2	ZMG04032	2	ZMG04032	6
ES2815-0A	30	WA030001	4,8	XE308007	14	ZMB03509	18,20,32	ZMG04033	18,20,32	ZMG04033	4,22
ES2816-0A	30	WA039001	18	XE308008	2	ZMB04007	8,22	ZMG04034	8,22	ZMG04034	30
ES2817-0A	30	WA040013	24	XE312004	16	ZMB04011	8,22,28	ZMG05016	8,22,28	ZMG05016	24
ES2819-0A	30	WA040014	2	XE400036	16	ZMB04014	2	ZMG05017	2	ZMG05017	24
ES2821-0A	30	WA040016	6	XE400037	34	ZMB04016	6,10,28	ZMG10001	6,10,28	ZMG10001	30
ES6004-0A	18	WA049005	6,36	XE400039	2	ZMB04023	26	ZMH03001	26	ZMH03001	4,24
ES6006-0A	2	WA049006	32	XH400037	2	ZMB04031	6	ZMH03002	6	ZMH03002	14,22
ES6007-0A	2	WA050008	26	XH500050	32	ZMB04050	8,30	ZMH03006	8,30	ZMH03006	16
ES6008-0A	2	WA050011	20	XH500200	32	ZMB04053	14,16,18,28	ZMH03007	14,16,18,28	ZMH03007	4
ES6018-0A	20	WA050012	34	XH500260	32	ZMB04054	16	ZMH03501	16	ZMH03501	10
ES7060-0A	38	WA059006	24	YA041200	4	ZMB05007	30	ZMH04001	30	ZMH04001	2,4,8,14, 26,30,34
ET1219-0A	30	WA080014	36	YA070100	2	ZMB06015	4	ZMH04003	4	ZMH04003	6,14,28
OAGM101503	20	WA100019	16,26	YT050010	2	ZMC02003	2	ZMH04005	14	ZMH04005	24
OATC101904	16,18	WA120002	14	YT050014	2	ZMC02505	2	ZMH04009	16,18	ZMH04009	14
OEM00040	2,32	WE041002	6	YT050018	2	ZMC03009	2	ZMH05001	10	ZMH05001	10,14,18,32
OPP00400	24	WE051001	16,18,20	ZMB02505	16	ZMC04004	16	ZMH05004	10	ZMH05004	10
OPP00401	20	WE060002	10	ZMB03001	8,16,22	ZMC04007	2	ZMH05009	2	ZMH05009	10,24
OPP00600	24,34	WE080002	36	ZMB03004	2,24,26	ZMC04010	2,4	ZMH06003	4	ZMH06003	10,30
OPP01000	32	WC060004	24	ZMB03011	10	ZMC04011	18	ZMH06007	18	ZMH06007	28
OPP01201	14,26	WF000080	36	ZMB03020	4,14,30	ZMD03001	28	ZMJ04007	6	ZMJ04007	26
OPP01700	10	WC000006	4,6,22	ZMB03021	28	ZMD04007	6	ZMJ04012	16,18,28	ZMJ04012	32
OPP03150	10	WH105006	20,26	ZMB03025	4	ZMD05010	4				

T. NUMERICAL PARTS-LIST 4

PARTS NO.	PAGE	PARTS NO.	PAGE
ZMJ04019	26		
ZMJ05002	20,34		
ZMJ06002	16		
ZMJ06010	10		
ZMJ06012	14,16,18,	ZSB06007	30
	20,24,26,28,	ZSB24002	34
ZMJ06012	16	ZSK08011	30
ZMJ06013	30	ZSL08001	30
ZMJ06015	2		
ZMJ08008	36		
ZMK06018	24		
ZMK06019	10		
ZML03002	32		
ZML04006	28		
ZML05002	26,30		
ZMQ04006	4,28,34		
ZMQ04010	4,28,32		
ZMQ04011	2.4.6,24,		
	32		
ZMQ04012	2,4,8,		
	24,32		
ZMQ04013	4		
ZMQ04014	2, 8,10,		
	22,30,36		
ZMT03002	36		

Parts Manual for Models 695EX & 695HEX

Since 1898
CONSEW®

CONSOLIDATED SEWING MACHINE CORP.

INDUSTRIAL SEWING & CUTTING EQUIPMENT

Main Office

131 West 25th Street
New York, NY 10001
Tel: 212-741-7788
Fax: 212-741-7787

Miami Branch Office

7855 N.W. 29th St. (#166)
Miami, FL 33122
Tel: 305-471-0200
Fax: 305-471-0243

West Coast Branch Office

1400 South Broadway
Los Angeles, CA 90015
Tel: 213-745-8844
Fax: 213-745-8855

e-mail: consew@worldnet.att.net

web: www.consew.com

