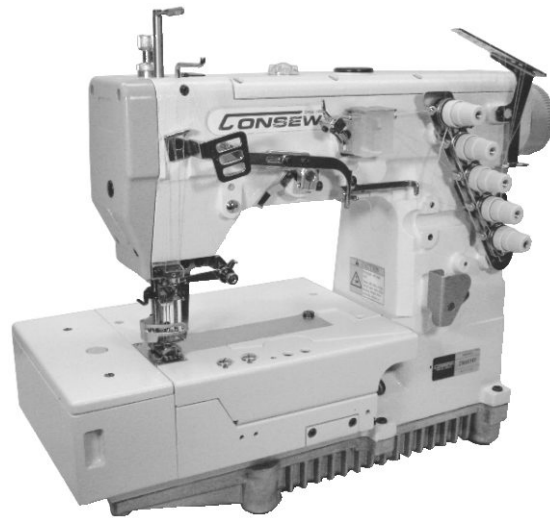


CONSEW ^{Since 1898}®

Model CN-897VF



PARTS MANUAL

**Model CN-897VC is very similar
except for the cylinder bed itself**

CONSEW USA

零件目录 PARTS CONTENTS

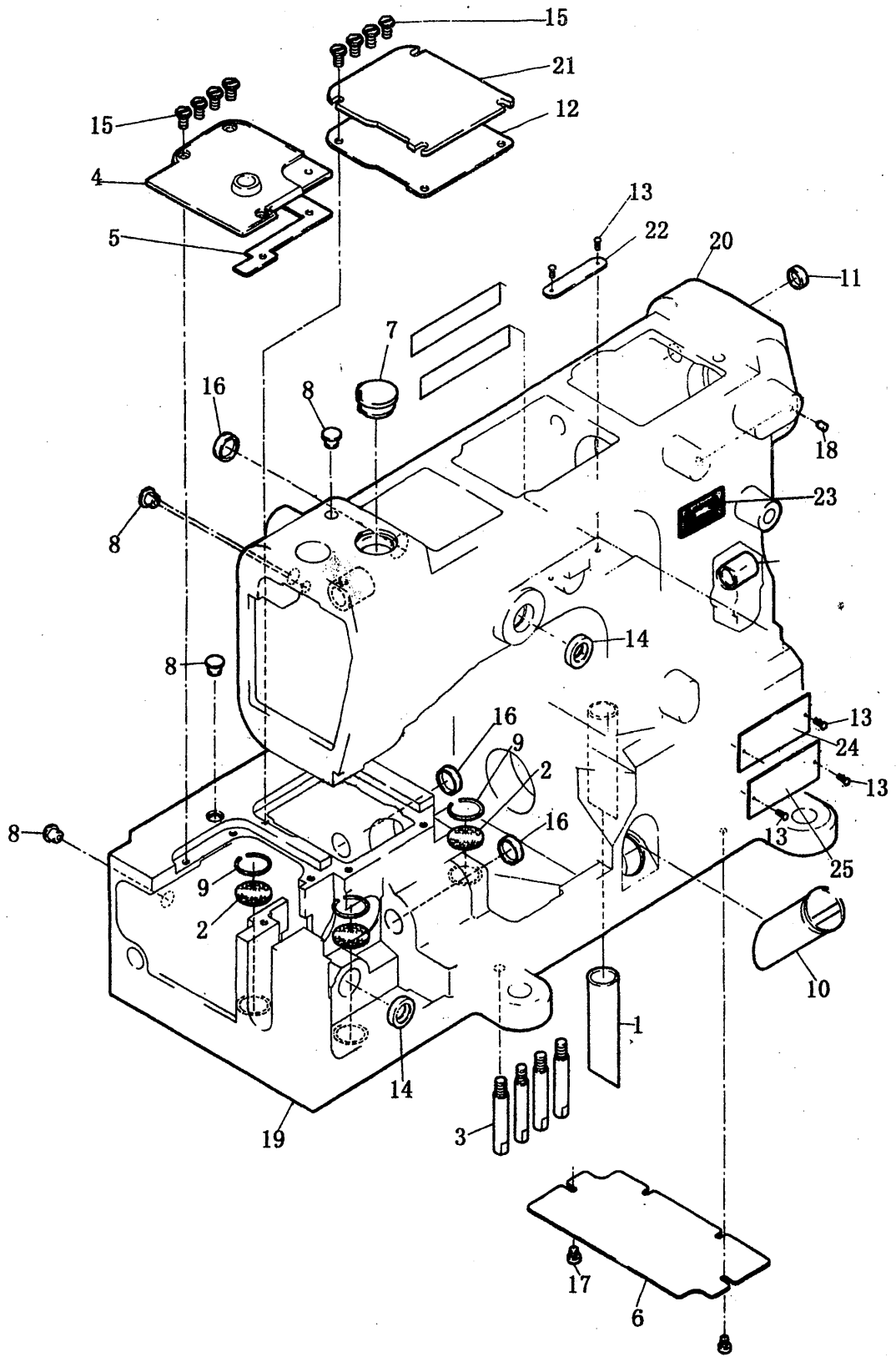
1. 机壳部件 (1) FRAME COMPONENTS (ONE) 1-2
2. 机壳部件 (2) FRAME COMPONENTS (TWO) 3-4
3. 机壳部件 (3) FRAME COMPONENTS (THREE) 5-6
4. 下轴部件 LOWER SHAFT COMPONENTS 7-8
5. 上轴部件 UPPER SHAFT COMPONENTS 9-10
6. 针杆部件 NEEDLE BAR COMPONENTS 11-12
7. 护针部件 NEEDLE GUARD COMPONENTS 13-14
8. 弯针部件 LOOPER COMPONENTS 15-16
9. 送布部件 MAIN FEED MECHANISM COMPONENTS 17-20
10. 差动部件 DIFFERENTIAL FEED MECHANISM COMPONENTS 21-22
11. 抬压脚部件 PRESSER FOOTLIFTER COMPONENTS 23-24
12. 绷针部件 STRETCH NEEDLE COMPONENTS 25-26
13. 过线器部件 THREAD GUIDE MECHANISM COMPONENTS 27-28
14. 过线部件 THREAD GUIDE COMPONENTS 29-30
15. 下过线部件 LOWER THREAD TENSION COMPONENTS 31-32
16. 供油部件 LUBRICATION MECHANISM COMPONENTS 33-34
17. 油泵部件 PUMP COMPONENTS 35-36
18. 机针冷却器部件 NEEDLE COOLING MECHANISM COMPONENTS 37-38
19. 线架部件 THREAD STAND COMPONENTS 39-40
20. 附件 ACCESSORIES PARTS 41-42
21. 导布部件 FABRIC GUIDE COMPONENTS 43-44

零件目录 PARTS CONTENTS

- 23. 500B-02专用部件 SPECIFIC PARTS45-46
- 24. 500B-05专用部件 (1) SPECIFIC PARTS (ONE)47-48
- 25. 500B-05专用部件 (2) SPECIFIC PARTS (TWO)49-50
- 26. 500B-05专用部件 (3) SPECIFIC PARTS (THREE)51-54
- 28. 500B-05专用部件 (4) SPECIFIC PARTS (FOUR)55-56
- 29. 500B-05专用部件 (5) SPECIFIC PARTS (FIVE) 57-58
- 30. 500B-05专用部件 (6) SPECIFIC PARTS (SIX)59-60
- 31. 500B-02HY专用部件 (1) SPECIFIC PARTS (ONE) 61-62
- 32. 500B-02HY专用部件 (2) SPECIFIC PARTS (TWO) 63-64
- 33. 500B-04 专用部件 (1) SPECIFIC PARTS (ONE)65-66

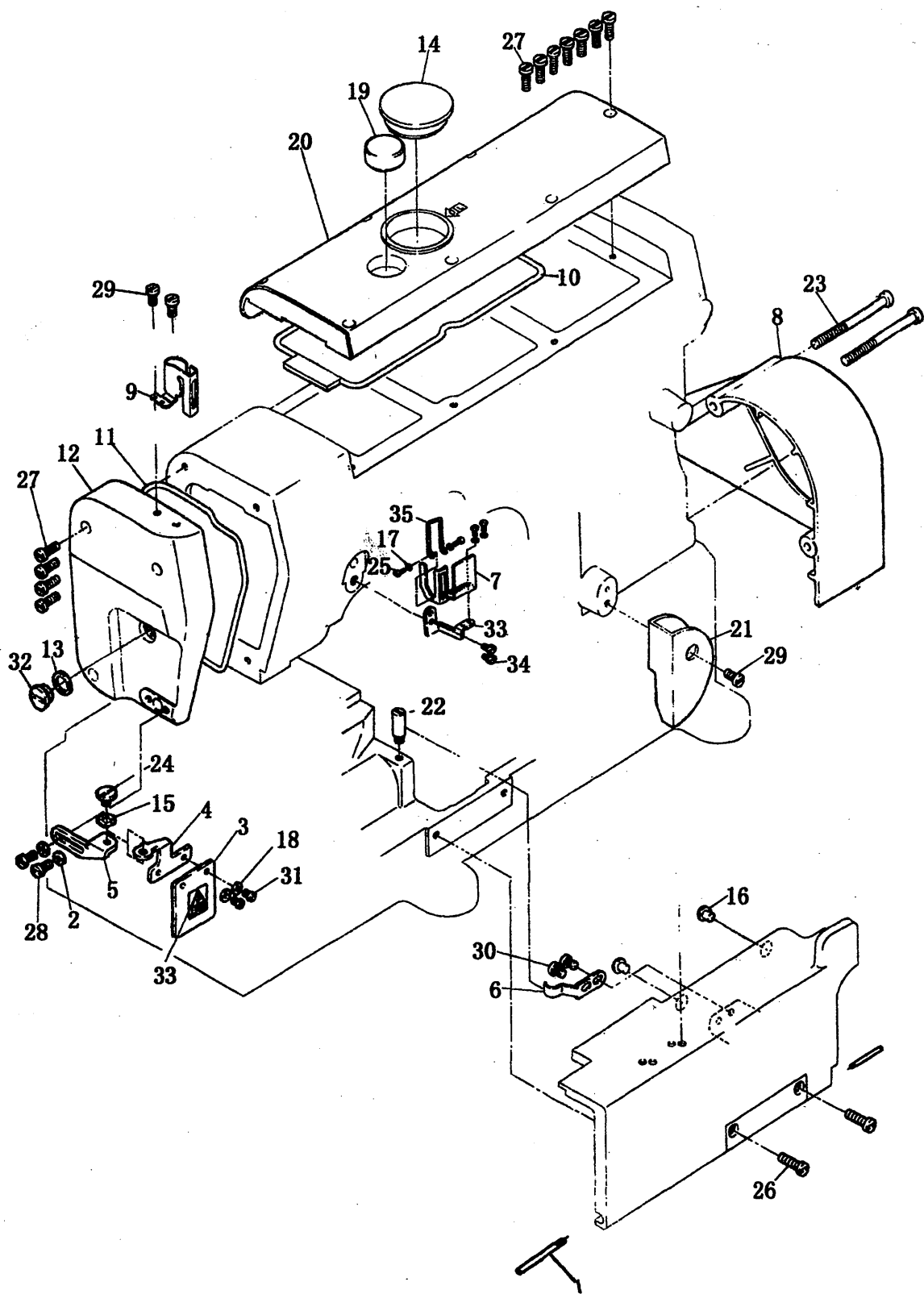
1. 机壳部件 (1)

FRAME COMPONENTS (ONE)



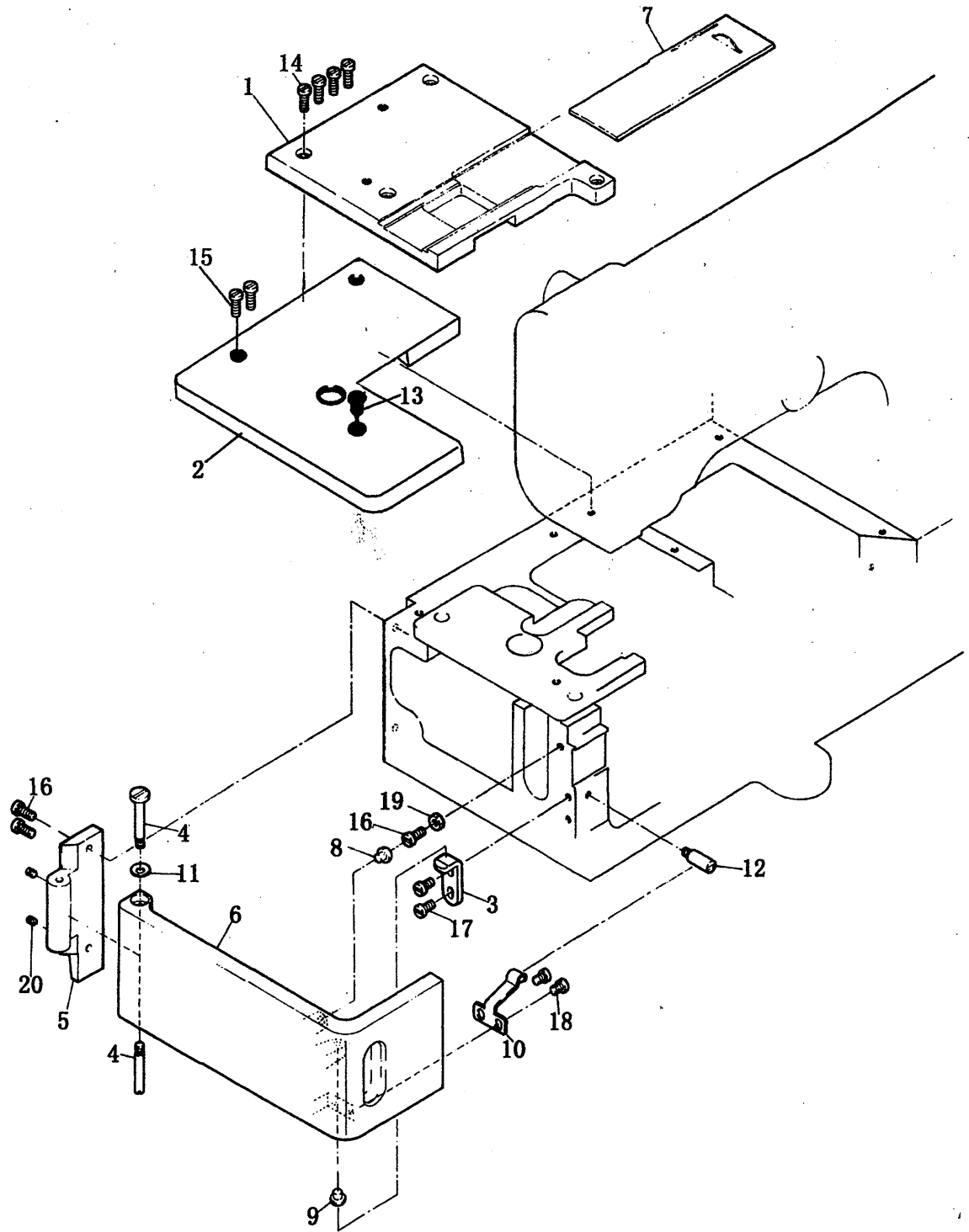
| 一、机壳部件 (1) FRAME COMPONENTS (ONE) | | | | | | | -01 | -02 | -03 | -04 | -05 | -02HY |
|-----------------------------------|-------------|----------|---------------------------------|--|--|--|-----|-----|-----|-----|-----|-------|
| 序号 | 图号 | 名称 | DESIGNATION | | | | | | | | | |
| 1 | 301.01-01 | 机壳竖回油管 | MACHINE FRAME OIL STAND PIPE | | | | 1 | 1 | 1 | 1 | 1 | 1 |
| 2 | 301.01-02 | 过滤网20目 | FILTER HALFTONE | | | | 3 | 3 | 3 | 3 | 3 | 3 |
| 3 | 301.01-03 | 机座螺钉 | MACHINE MOUNTING SCREW M8 | | | | 4 | 4 | 4 | 4 | 4 | 4 |
| 4 | 301.01-04 | 针距按钮盖 | PUSH BUTTON COVER (NEEDLE) | | | | 1 | 1 | 1 | 1 | 1 | 1 |
| 5 | 301.01-05 | 针距按钮盖防油垫 | OIL PROTECTING GASKET | | | | 1 | 1 | 1 | 1 | 1 | 1 |
| 6 | 301.01-06 | 底罩板 | BED HOOD PLATE | | | | 1 | 1 | 1 | 1 | 1 | 1 |
| 7 | 301.01-07 | 闷头 | PLUG STUD | | | | 1 | 1 | 1 | 1 | 1 | 1 |
| 8 | 301.01-08 | 闷头 | PLUG STUD | | | | 4 | 4 | 4 | 4 | 4 | 4 |
| 9 | 301.01-09 | 挡圈内孔 | THREAD TAKE-UP LEVER GUARD | | | | 3 | 3 | 3 | 3 | 3 | 3 |
| 10 | 301.01-10 | 油量指示窗 | OIL INDICATION WINDOW | | | | 1 | 1 | 1 | 1 | 1 | 1 |
| 11 | 301.01-11 | 闷头 | PLUG STUD | | | | 1 | 1 | 1 | 1 | 1 | 1 |
| 12 | 301.01-12 | 弯针传动盖油垫 | OIL GASKET | | | | 1 | 1 | 1 | 1 | 1 | 1 |
| 13 | 301.01-12-1 | 铆钉 | RIVET | | | | 6 | 6 | 6 | 6 | 6 | 6 |
| 14 | 301.01-13 | 挑线轴骨架密封圈 | FRAMEWORK AIRPROOF RING | | | | 2 | 2 | 2 | 2 | 2 | 2 |
| 15 | 301.01-14 | 针距按钮盖螺钉 | PUSH BUTTON CAP SCREW M4X8 | | | | 8 | 8 | 8 | 8 | 8 | 8 |
| 16 | 301.01-14-2 | 防油圈 | OIL SHIELD COIL PROTECTING RING | | | | 3 | 3 | 3 | 3 | 3 | 3 |
| 17 | 301.01-22 | 螺钉 | SCREW M4X5 | | | | 2 | 1 | 2 | 2 | 2 | 2 |
| 18 | 301.01-23 | 指示销 | DIRECTION OF PIN | | | | 1 | 1 | 1 | 1 | 1 | 1 |
| 19 | 301.01-27 | 机座 | MACHINE SEAT | | | | 1 | 1 | 1 | 1 | 1 | 1 |
| 20 | 301.01-28 | 机壳 | ARM | | | | 1 | 1 | 1 | 1 | 1 | 1 |
| 21 | 301.01-29 | 弯针传动仓板 | LOOPER DRIVER PLATE | | | | 1 | 1 | 1 | 1 | 1 | 1 |
| 22 | 301.01-30 | 机身号码 | AIRFRAME NUMBER | | | | 1 | 1 | 1 | 1 | 1 | 1 |
| 23 | 301.01-31 | 注意牌 | PLATE WITH NOTICE | | | | 1 | 1 | 1 | 1 | 1 | 1 |
| 24 | 301.01-32 | 商标牌 | PLATE WITH TRADEMARK | | | | 1 | 1 | 1 | 1 | 1 | 1 |
| 25 | 301.01-33 | 型号牌 | PLATE WITH MODEL | | | | 1 | | | | | |
| 26 | 302.01-33 | 型号牌 | PLATE WITH MODEL | | | | | 1 | | | | |
| 27 | 303.01-33 | 型号牌 | PLATE WITH MODEL | | | | | | 1 | | | |
| 28 | 310.01-33 | 型号牌 | PLATE WITH MODEL | | | | | | | 1 | | |
| 29 | 311.01-33 | 型号牌 | PLATE WITH MODEL | | | | | | | | 1 | |
| 30 | 338.01-33 | 型号牌 | PLATE WITH MODEL | | | | | | | | | 1 |

2. 机壳部件 (2) FRAME COMPONENTS (TWO)



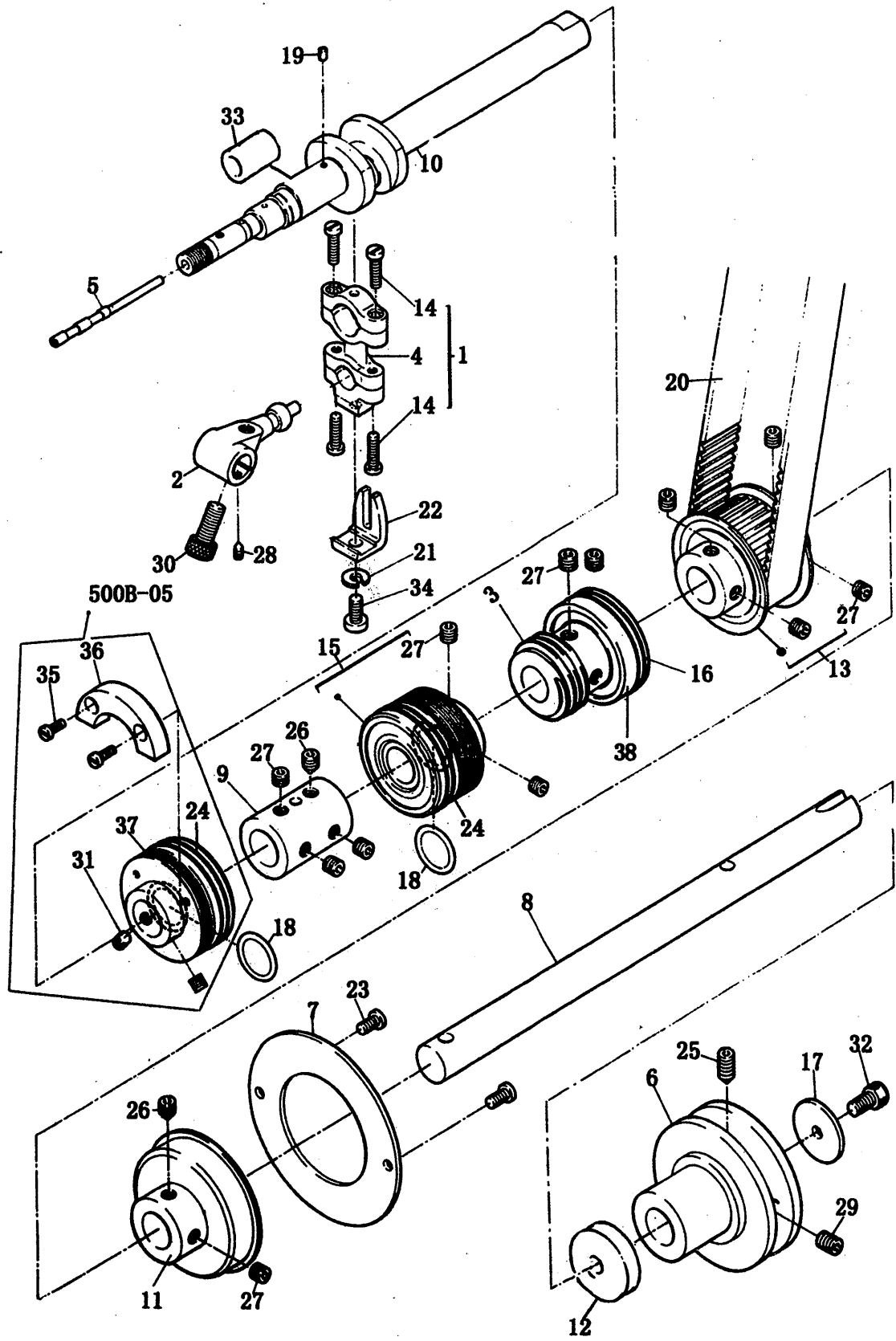
| 二、机壳部件 (2) FRAME COMPONENTS (TWO) | | | | | | | | | |
|-----------------------------------|-----------|------------------------------|-----------------------------------|-----|-----|-----|-----|-----|-------|
| 序号 | 图号 | 名称 | DESIGNATION | -01 | -02 | -03 | -04 | -05 | -02HY |
| 1 | 301.02-01 | 穿线罩销轴 | THREADING COVER PIN | 1 | 1 | 1 | 1 | 1 | 1 |
| 2 | 301.02-02 | 垫圈 | WASHER | 2 | 2 | 2 | | | 2 |
| 3 | 301.02-03 | 防护罩 | SHIELD | 1 | 1 | 1 | | | 1 |
| 4 | 301.02-04 | 防护罩支架 | SHIELD BRACKET | 1 | 1 | 1 | | | 1 |
| 5 | 301.02-05 | 防护罩座 | SHIELD SEAT | 1 | 1 | 1 | | | 1 |
| 6 | 301.02-06 | 穿线罩弹簧 | THREADING COVER SPRING | 1 | 1 | 1 | 1 | 1 | 1 |
| 7 | 301.02-07 | 挑线防护罩 | THREADING COVER SPRING | 1 | 1 | 1 | 1 | | |
| 8 | 301.02-08 | 皮带罩 | BELT GUARD | 1 | 1 | 1 | 1 | | 1 |
| 9 | 301.02-09 | 上挑线座罩 | THREAD TAKE-UP LEVER GUARD | 1 | 1 | 1 | 1 | 1 | |
| 10 | 301.02-10 | 上盖密封垫 | UPPER COVER GASKET | 1 | 1 | 1 | 1 | 1 | 1 |
| 11 | 301.02-11 | 面板密封垫 | FACE COVER GASKET | 1 | 1 | 1 | 1 | 1 | 1 |
| 12 | 301.02-12 | 面板 | FACE COVER | 1 | 1 | 1 | 1 | 1 | 1 |
| 13 | 301.02-14 | 面板密封圈 $\phi 12.5 \times 1$ | FACE COVER SEAL RING | 1 | 1 | 1 | 1 | 1 | 1 |
| 14 | 301.02-15 | 上盖闷头 $\phi 36.7 \times 12.2$ | UPPER COVER PLUG | 1 | 1 | 1 | 1 | 1 | 1 |
| 15 | 301.02-16 | 鞍型垫圈 | WAVE WASHER | 1 | 1 | 1 | | | 1 |
| 16 | 301.02-17 | 防震塞 | SHOCKPROOF PLUG | 2 | 2 | 2 | 2 | 2 | 4 |
| 17 | 301.02-18 | 垫片 | WASHER | 4 | 4 | 4 | 4 | 4 | 4 |
| 18 | 301.02-19 | 防护罩垫圈 | SHIELD WASHER | 2 | 2 | 2 | | | 2 |
| 19 | 301.02-20 | 喷油窗 | SIGHT WINDOW | 1 | 1 | 1 | 1 | 1 | 1 |
| 20 | 301.02-21 | 上盖 | UPPER COVER | 1 | 1 | 1 | 1 | 1 | 1 |
| 21 | 301.02-22 | 底线过线导板 | THREAD EYELET GUIDE PLATE | 1 | 1 | 1 | 1 | 1 | 1 |
| 22 | 301.02-23 | 过线连接柱 | THREAD HANDLER LINK | 1 | 1 | 1 | 1 | 1 | 1 |
| 23 | 301.02-24 | 皮带罩螺钉一字槽 | BELT GUARD SCREW M5X60 | 2 | 2 | 2 | 2 | | 2 |
| 24 | 301.02-25 | 防护罩铰链螺钉 | SHIELD HINGE SCREW M4 | 1 | 1 | 1 | | | 1 |
| 25 | 301.02-26 | 螺钉 | SCREW M6X10 | 4 | 4 | 4 | 4 | 4 | 4 |
| 26 | 301.02-27 | 穿线罩铰链螺钉 | THREADING COVER HINGE SCREW M4X16 | 2 | 2 | 2 | 2 | 2 | 2 |
| 27 | 301.02-28 | 上盖螺钉 | UPPER COVER SCREW M4X12 | 11 | 11 | 11 | 11 | 9 | 11 |
| 28 | 301.02-29 | 硅油过线架螺钉 | SILICONE OIL THREAD STAND SCREW | 2 | 2 | 2 | | | 2 |
| 29 | 301.02-30 | 上跳线罩螺钉 | SCREW M4X8 | 3 | 3 | 3 | 3 | 3 | |
| 30 | 301.02-31 | 穿线罩弹簧螺钉 | THREADING COVER SPRING SCREW M4X6 | 2 | 2 | 2 | 2 | 2 | 2 |
| 31 | 301.02-32 | 防护罩螺钉 | SHIELD SCREW M3X5 | 2 | 2 | 2 | | | 2 |
| 32 | 301.02-33 | 面板螺钉 | FACE COVER SCREW SM3/8X28 | 1 | 1 | 1 | 1 | 1 | 1 |
| 33 | 301.02-34 | 护板支架 | SHIELD BRACKET | 1 | 1 | 1 | 1 | 1 | 1 |
| 34 | 301.02-35 | 螺钉 | SCREW M6X10 | 2 | 2 | 2 | 2 | 2 | 2 |
| 35 | 301.02-36 | 挑线防护罩钢丝 | STEEL WIRE | 1 | 1 | 1 | 1 | 1 | 1 |

3. 机壳部件 (3) FRAME COMPONENTS (THREE)



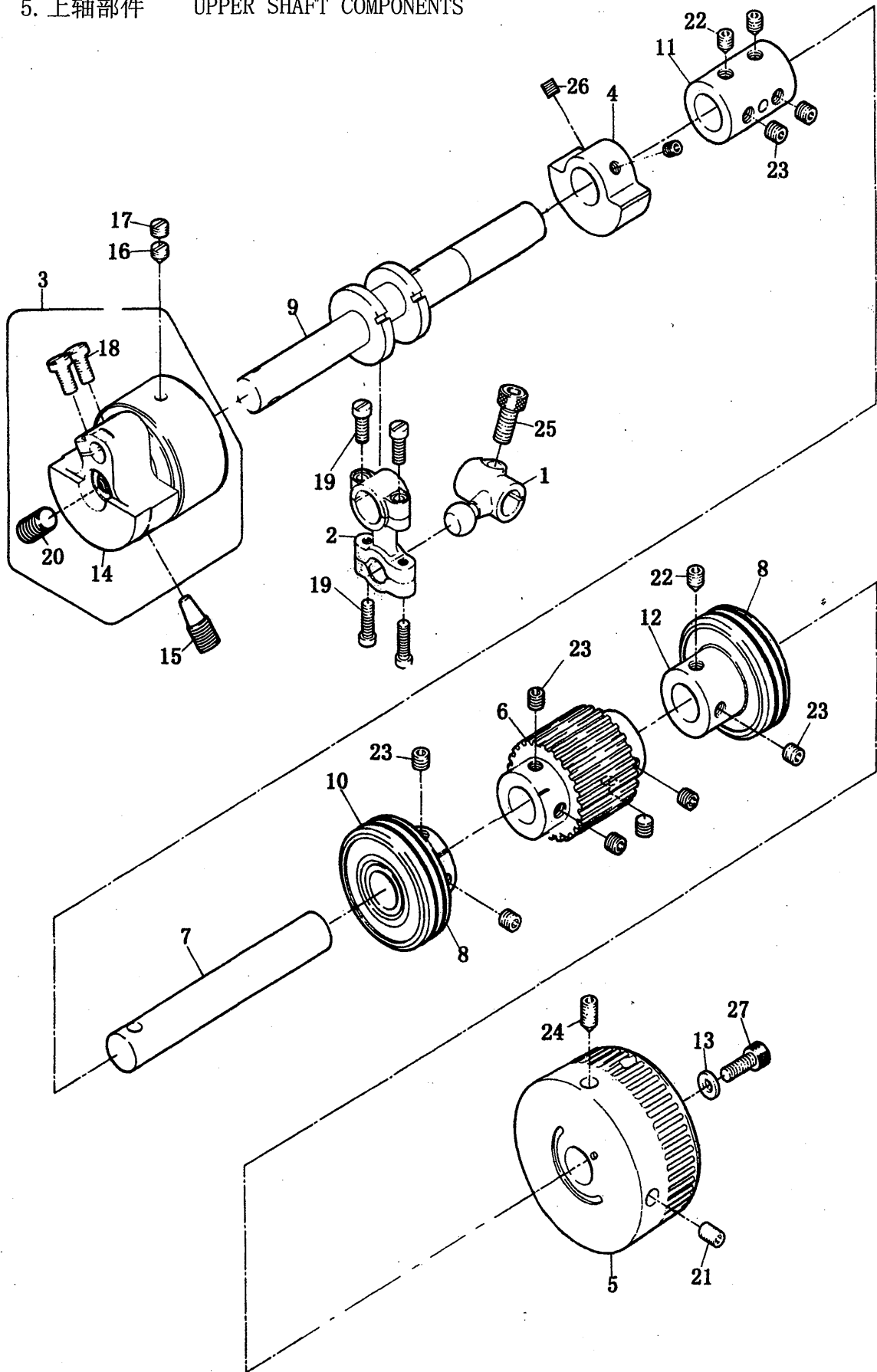
| 三、机壳部件 (3) FRAME COMPONENTS (THREE) | | | | | | | | | |
|-------------------------------------|-----------|----------|--------------------------------------|-----|-----|-----|-----|-----|-------|
| 序号 | 图号 | 名 称 | DESIGNATION | -01 | -02 | -03 | -04 | -05 | -02HY |
| 1 | 301.03-01 | 缝台上罩 | SEWING PLATE UPER COVER | 1 | 1 | 1 | 1 | 1 | 1 |
| 2 | 301.03-03 | 缝台前板 | SEWING PLATE FRONT COVER | 1 | 1 | 1 | 1 | | 1 |
| 3 | 301.03-04 | 防震板 | SHOCKPROOF BOARD | 1 | 1 | 1 | 1 | 1 | 1 |
| 4 | 301.03-06 | 铰链连接上螺钉 | HINGE LINK SCREW M4 | 2 | 2 | 2 | 2 | 2 | 2 |
| 5 | 301.03-07 | 前罩铰链板 | HINGE BOARD | 1 | 1 | 1 | 1 | 1 | 1 |
| 6 | 301.03-08 | 前罩 | FRONTAL MANTLE | 1 | 1 | 1 | 1 | | 1 |
| 7 | 301.03-09 | 推板 | SLIDE PLATE | 1 | 1 | 1 | 1 | 1 | 1 |
| 8 | 301.03-10 | 防震塞 | SHOCKPROOF PLUG | 1 | 1 | 1 | 1 | 1 | 1 |
| 9 | 301.03-11 | 防震塞 | SHOCKPROOF PLUG | 2 | 2 | 2 | 2 | 2 | 2 |
| 10 | 301.03-12 | 前罩板弹簧 | FRONTAL MANTLE SPRING | 1 | 1 | 1 | 1 | 1 | 1 |
| 11 | 301.03-13 | 弹簧垫圈 | SPRING WASHER | 1 | 1 | 1 | 1 | 1 | 1 |
| 12 | 301.03-14 | 前罩板定位螺钉 | FRONTAL MANTLE SCREW M4 | 1 | 1 | 1 | 1 | 1 | 1 |
| 13 | 301.03-15 | 缝台前板沉头螺钉 | SEWING PLATE FRONT COVER SCREW M4X8 | 1 | 1 | 1 | 1 | 1 | 1 |
| 14 | 301.03-16 | 罩板螺钉 | MANTLE PLATE SCREW M4X12 | 4 | 4 | 4 | 4 | 4 | 4 |
| 15 | 301.03-17 | 缝台前板螺钉 | SEWING PLATE FRONT COVER SCREW M4X12 | 2 | 2 | 2 | 2 | 2 | 2 |
| 16 | 301.03-18 | 铰链螺钉 | HINGE SCREW M4X10 | 3 | 3 | 3 | 3 | 3 | 3 |
| 17 | 301.03-19 | 防震板螺钉 | SHOCKPROOF BOARD SCREW M4X8 | 2 | 2 | 2 | 2 | 2 | 2 |
| 18 | 301.03-20 | 前罩螺钉 | FRONTAL MANTLE SCREW M4X6 | 2 | 2 | 2 | 2 | 2 | 2 |
| 19 | 301.03-21 | 螺帽 | NUT M4 | 1 | 1 | 1 | 1 | 1 | 1 |
| 20 | 301.03-22 | 铰链上头螺钉 | HINGE UPPER SCREW M3X4 | 2 | 2 | 2 | 2 | 2 | 2 |

4. 下轴部件 LOWER SHAFT COMPONENTS



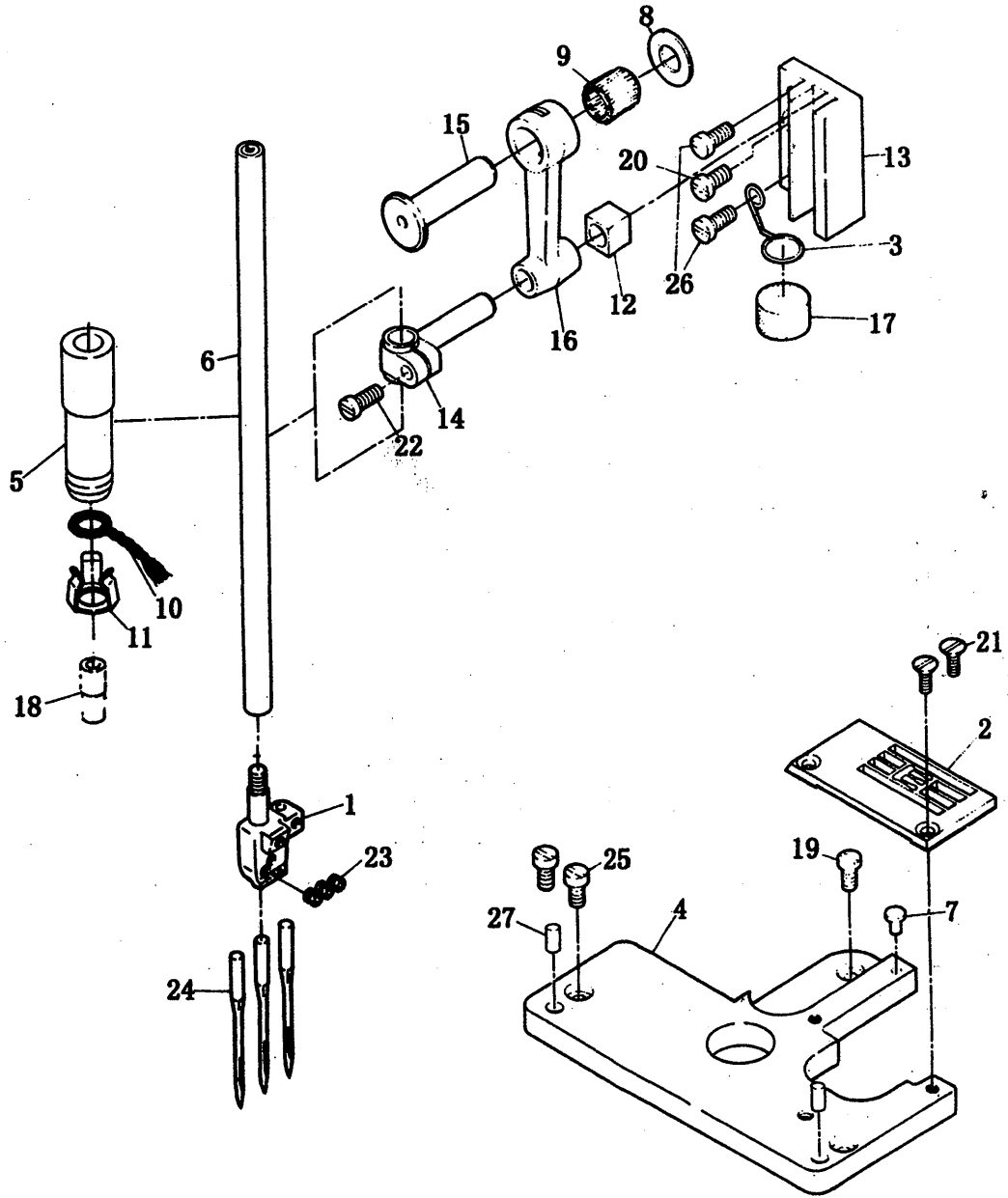
| 四、下轴部件 LOWER SHAFT COMPONENTS | | | | | | | | | |
|-------------------------------|--------------|------------|------------------------------------|-----|-----|-----|-----|-----|-------|
| 序号 | 图号 | 名称 | DESIGNATION | -01 | -02 | -03 | -04 | -05 | -02HY |
| 1 | 301.04-01 | 弯针连杆组件 | LOOPER LEVER COMPLETE | 1 | 1 | 1 | 1 | | 1 |
| 2 | 301.04-02 | 弯针球曲柄 | LOOPER BALL CRANK | 1 | 1 | 1 | 1 | | 1 |
| 3 | 301.04-03 | 油泵蜗杆 | OIL PUMP WORM | 1 | 1 | 1 | 1 | 1 | 1 |
| 4 | 301.04-04 | 弯针连杆 | LOOPER LEVER COMPLETE | 1 | 1 | 1 | 1 | | 1 |
| 5 | 301.04-05 | 下轴油量调节芯针 | OIL FLOW REGULATING NEEDLE | 1 | 1 | 1 | 1 | 1 | 1 |
| 6 | 301.04-06 | 从动轮 | TRACTION WHEEL | 1 | 1 | 1 | 1 | 1 | 1 |
| 7 | 301.04-07 | 压紧环 | IMPACTED LOOP | 1 | 1 | 1 | 1 | 1 | 1 |
| 8 | 301.04-08 | 下轴后节轴 | LOWER SHAFT BACKSIDE | 1 | 1 | 1 | 1 | 1 | 1 |
| 9 | 301.04-09 | 联轴器 | LINK BEARING | 1 | 1 | 1 | 1 | 1 | 1 |
| 10 | 301.04-10 | 下轴前节 | LOWER SHAFT FOREPART | 1 | 1 | 1 | 1 | | 1 |
| 11 | 301.04-11 | 下轴后衬套组件 | LOWER BEARING FITTINGS ASM. | 1 | 1 | 1 | 1 | 1 | 1 |
| | 301.04-11-01 | 下轴后衬套轴承 | LOWER BEARING FITTINGS BEARING | 1 | 1 | 1 | 1 | 1 | 1 |
| | 301.04-11-02 | 轴承挡圈 | THRUST RING | 1 | 1 | 1 | 1 | 1 | 1 |
| 12 | 301.04-12 | 弹簧挡圈 | SPRIGN THRUST RING | 1 | 1 | 1 | 1 | 1 | 1 |
| 13 | 301.04-13 | 主动时规轮组件 | DRIVING WHEEL | 1 | 1 | 1 | 1 | 1 | 1 |
| 14 | 301.04-14 | 弯针连杆螺钉 | SCREW | 4 | 4 | 4 | 4 | | 4 |
| 15 | 301.04-15 | 下轴中衬套组件 | LOWER SHAFT CENTRE BUSHING ASM | 1 | 1 | 1 | 1 | 1 | 1 |
| | 301.04-15-01 | 下轴中衬套轴承 | LOWER SHAFT CENTRE BUSHING BEARING | 1 | 1 | 1 | 1 | 1 | 1 |
| 16 | 301.04-36 | O型圈 | O-RING | 2 | 2 | 2 | 2 | 2 | 2 |
| 17 | 301.04-17 | 从动轮垫圈 | TRACTION WHEEL WASHER | 1 | 1 | 1 | 1 | 1 | 1 |
| 18 | 301.04-18 | O型圈 | O-RING | 2 | 2 | 2 | 2 | 2 | 2 |
| 19 | 301.04-19 | 销子 | PIN | 1 | 1 | 1 | 1 | 1 | 1 |
| 20 | 301.04-20 | 皮带 | BELT | 1 | 1 | 1 | 1 | 1 | 1 |
| 21 | 301.04-21 | 开口垫圈 | SNAP RIGN | 1 | 1 | 1 | 1 | 1 | 1 |
| 22 | 301.04-22 | 叉口 | FORK | 1 | 1 | 1 | 1 | 1 | 1 |
| 23 | 301.04-23 | 压紧环螺钉 | IMPACTED LOOP SCREW M4X8 | 2 | 2 | 2 | 2 | 2 | 2 |
| 24 | 301.04-37 | O型圈 | O-RING | 2 | 2 | 2 | 2 | 4 | 2 |
| 25 | 301.04-25 | 从动轮定位螺钉 | TRACTION WHEEL SCREW M6X10 | 1 | 1 | 1 | 1 | 1 | 1 |
| 26 | 301.04-26 | 联轴器器定位螺钉锥端 | LINK BEARING SCREW M6X0.75X8 | 2 | 2 | 2 | 2 | 2 | 2 |
| 27 | 301.04-27 | 螺钉 | SCREW M6X0.75X5 | 12 | 12 | 12 | 12 | 12 | 12 |
| 28 | 301.04-28 | 球曲柄螺钉 | BALL CRANK SCREW M3X4 | 1 | 1 | 1 | 1 | | 1 |
| 29 | 301.04-29 | 从动轮定位螺钉 | TRACTION WHEEL SCREW M6X10 | 1 | 1 | 1 | 1 | 1 | 1 |
| 30 | 301.04-30 | 球曲柄螺钉 | BALL CRANK SCREW M6X0.75X14 | 1 | 1 | 1 | 1 | | 1 |
| 31 | 311.04-31 | 前套螺钉 | FRONT BUSHING SCREW M5X5 | | | | | 2 | |
| 32 | 301.04-32 | 螺钉 | SCREW M5X10 | 1 | 1 | 1 | 1 | 1 | 1 |
| 33 | 301.04-35 | 下轴前套 | LOWER SHAFT FRONT BUSHING | 1 | 1 | 1 | 1 | 1 | 1 |
| 34 | 301.04-34 | 叉口螺钉 | FORK SCREW SM11/64X40X8 | 1 | 1 | 1 | 1 | 1 | 1 |
| 35 | 311.04-38 | 螺钉 | SCREW M3X8 | | | | | 2 | |
| 36 | 311.04-16-01 | 平衡块 | NEEDLE DRIVING FRONT BEARING | | | | | 1 | |
| 37 | 311.04-16 | 下轴前衬套组件 | LOWER SHAFT FRONT BUSHING ASM. | | | | | 1 | |
| | 311.04-16-02 | 下轴前衬套轴承 | LOWER SHAFT FRONT BUSHING BEARING | | | | | 1 | |
| 38 | 301.04-03-01 | 油泵蜗杆轴承 | OIL PUMP WORM BEARING | 1 | 1 | 1 | 1 | 1 | 1 |

5. 上轴部件 UPPER SHAFT COMPONENTS



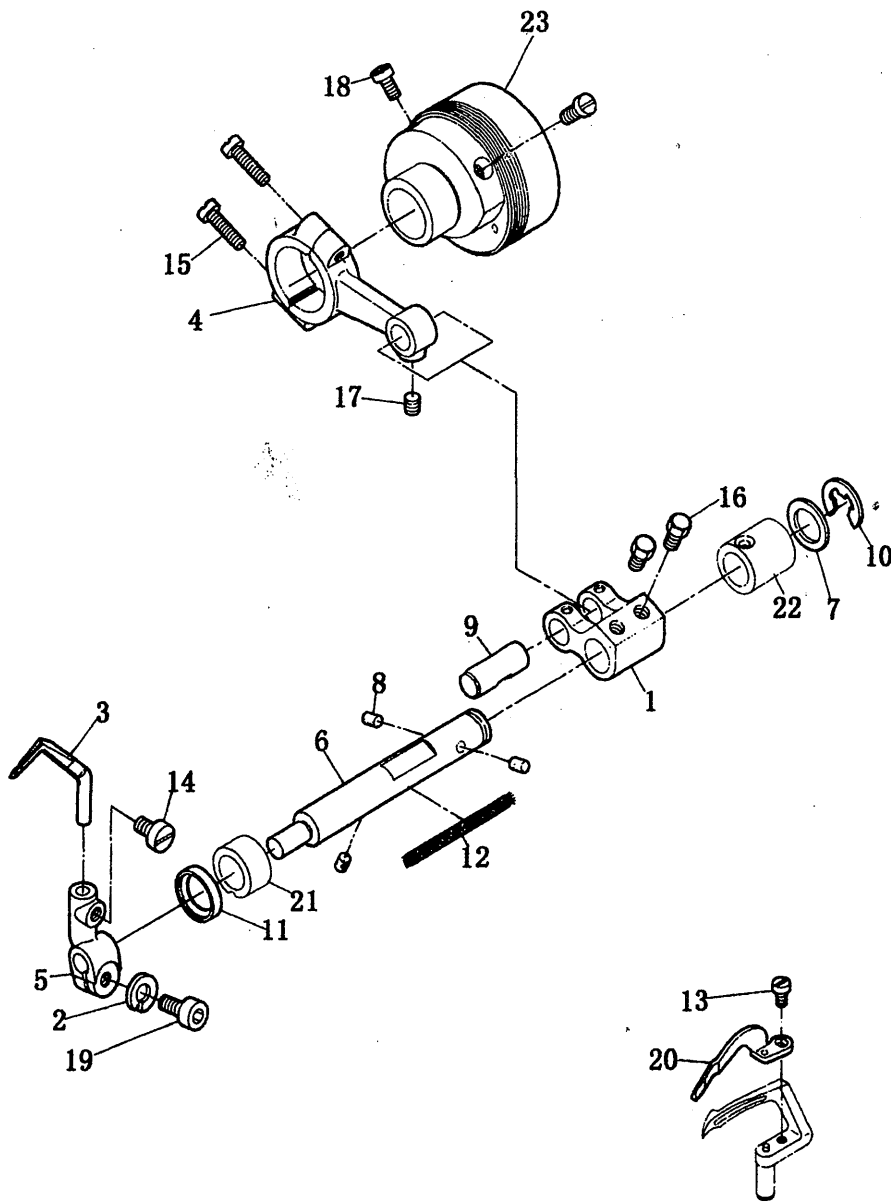
| 五、上轴部件 UPPER SHAFT COMPONENTS | | | | | | | | | |
|-------------------------------|--------------|-------------|---------------------------------------|-----|-----|-----|-----|-----|-------|
| 序号 | 图号 | 名称 | DESIGNATION | -01 | -02 | -03 | -04 | -05 | -02HY |
| 1 | 301.05-01 | 上挑线球曲柄 | UPPER TACE-UP THREAD BALL CRANK | 1 | 1 | 1 | 1 | 1 | 1 |
| 2 | 301.05-02 | 上挑线连杆 | UPPER TACE-UP THREAD LINK LEVER | 1 | 1 | 1 | 1 | 1 | 1 |
| 3 | 301.05-03 | 针杆曲柄组件 | NEEDLE BAR CRANK ASM. | 1 | 1 | 1 | 1 | 1 | 1 |
| 4 | 301.05-04 | 平衡块(上) | UPPER BALANCE BLOCK | 1 | 1 | 1 | 1 | 1 | 1 |
| 5 | 301.05-05 | 上轮 | BELT WHEEL | 1 | 1 | 1 | 1 | | 1 |
| | 311.05-01 | 上轮 | BELT WHEEL | | | | | 1 | |
| 6 | 301.05-06 | 从动时轮规 | FOLLOWER WHEEL | 1 | 1 | 1 | 1 | 1 | 1 |
| 7 | 301.05-07 | 上轴后节 | MAIN SHAFT BACKSIDE | 1 | 1 | 1 | 1 | | 1 |
| 8 | 301.05-29 | O型圈 | O-RING | 4 | 4 | 4 | 4 | 4 | 4 |
| 9 | 301.05-09 | 上轴前节 | MAIN SHAFT FOREPART | 1 | 1 | 1 | 1 | 1 | 1 |
| 10 | 301.05-10 | 上轴前衬套 | MAIN SHAFT FRONT BUSHING | 1 | 1 | 1 | 1 | 1 | 1 |
| | 301.05-10-01 | 上轴前衬套轴承 | BEARING | 1 | 1 | 1 | 1 | 1 | 1 |
| 11 | 301.05-11 | 联轴器 | LINK BEARING | 1 | 1 | 1 | 1 | 1 | |
| 12 | 301.05-12 | 后衬套组件 | MAIN SHAFT BACK BUSHING ASM. | 1 | 1 | 1 | 1 | 1 | 1 |
| | 301.05-12-01 | 后衬套轴承 | BEARING | 1 | 1 | 1 | 1 | 1 | 1 |
| 13 | 301.05-13 | 上轮垫圈 | BELT WHEEL WASHER | 1 | 1 | 1 | 1 | 1 | 1 |
| 14 | 301.05-14 | 针杆曲柄 | NEEDLE BAR CRANK | 1 | 1 | 1 | *1 | 1 | 1 |
| 15 | 301.05-15 | 定位螺钉长锥端紧定螺钉 | POSITION SCREW M8X1X20 | 1 | 1 | 1 | 1 | 1 | 1 |
| 16 | 301.05-16 | 定位螺钉 | SCREW M6X0.75X6 | 1 | 1 | 1 | 1 | 1 | 1 |
| 17 | 301.05-17 | 止夹螺钉 | SCREW M6X0.75X3.5 | 1 | 1 | 1 | 1 | 1 | 1 |
| 18 | 301.05-18 | 螺钉 | SCREW M5X10 | 2 | 2 | 2 | 2 | 2 | 2 |
| 19 | 301.05-19 | 连杆螺钉 | LINK LEVER SCREW M4X12 | 4 | 4 | 4 | 4 | 4 | 4 |
| 20 | 301.05-21 | 螺钉 | SCREW M8X1X15 | 1 | 1 | 1 | 1 | 1 | 1 |
| 21 | 301.05-22 | 上轮止夹螺钉 | BELT WHEEL SCREW M6X10 | 1 | 1 | 1 | 1 | 1 | 1 |
| 22 | 301.05-23 | 后套定位螺钉尖端 | BACK BUSHING POSITION SCREW M6X0.75X8 | 3 | 3 | 3 | 3 | 3 | 1 |
| 23 | 301.05-24 | 螺钉 | SCREW M6X0.75X5 | 9 | 9 | 9 | 9 | 9 | 9 |
| 24 | 301.05-25 | 定位螺钉 | POSITION SCREW M6X10 | 1 | 1 | 1 | 1 | 1 | 1 |
| 25 | 301.05-26 | 球曲柄螺钉 | BALL CRANK SCREW M6X0.75X14 | 1 | 1 | 1 | 1 | 1 | 1 |
| 26 | 301.05-27 | 平衡块螺钉 | BALANCE BLOCK SCREW M5X5 | 2 | 2 | 2 | 2 | 2 | 2 |
| 27 | 301.05-28 | 上轮螺钉 | BELT WHEEL SCREW M5X16 | 1 | 1 | 1 | 1 | 1 | 1 |

6. 针杆部件 NEEDLE BAR COMPONENTS



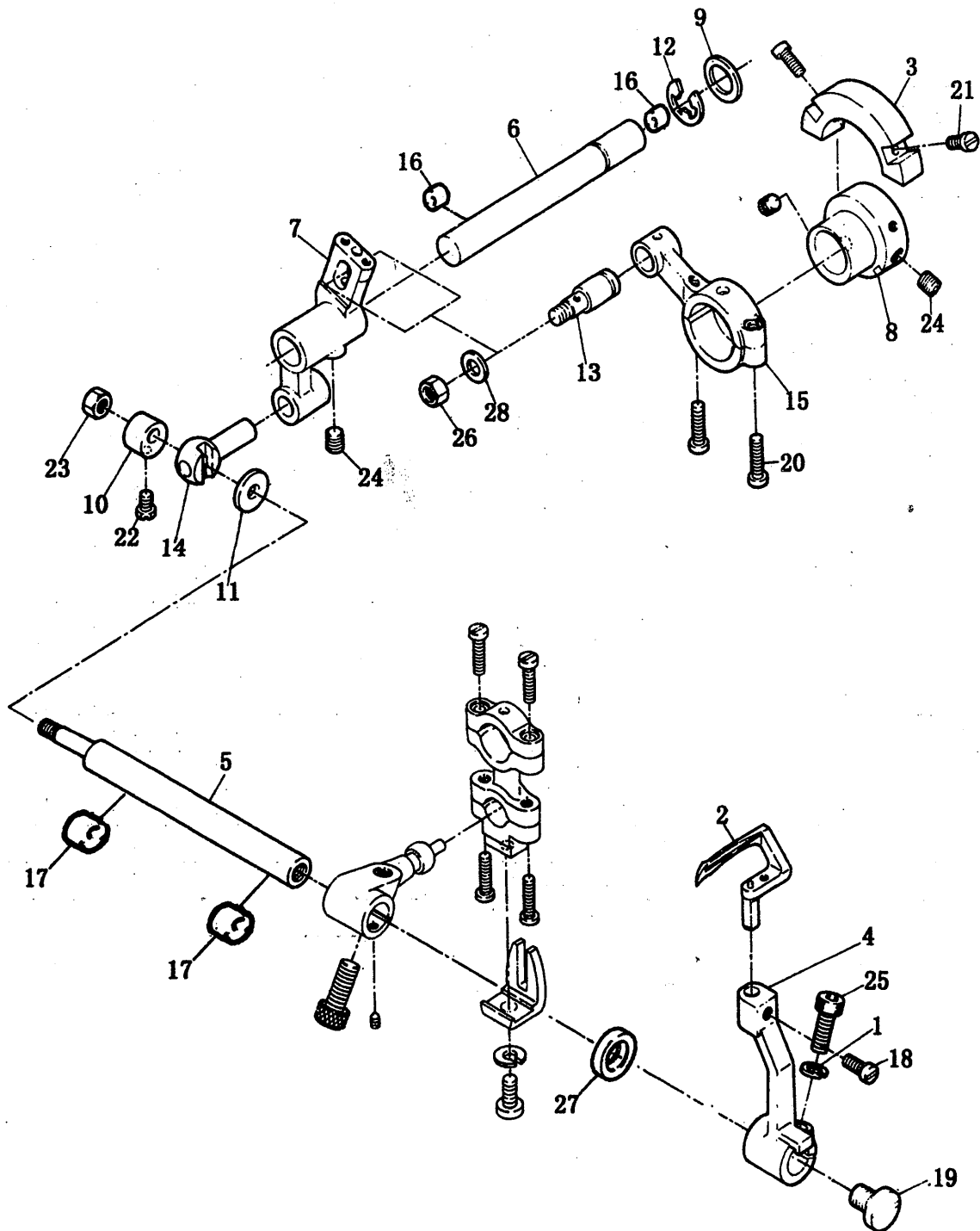
| 六、针杆部件 NEEDLE BAR COMPONENTS | | | | | | | | | |
|------------------------------|-----------|-----------|--|-----|-----|-----|-----|-----|-------|
| 序号 | 图号 | 名称 | DESIGNATION | -01 | -02 | -03 | -04 | -05 | -02HY |
| 1 | 301.06-01 | 针夹 | NEEDLE HOLDER | 1 | 1 | 1 | | 1 | 1 |
| 2 | 301.06-02 | 针板 | NEEDLE PLATE | 1 | | | | | |
| | 303.06-02 | 针板 | NEEDLE PLATE | | | 1 | | | |
| | 311.06-01 | 针板 | NEEDLE PLATE | | | | | 1 | |
| 3 | 301.06-03 | 油毡定位圈 | OIL FELT POSITION LOOP | 1 | 1 | 1 | 1 | 1 | 1 |
| 4 | 301.06-04 | 针板接板 | NEEDLE PLATE LINK PLATE | 1 | 1 | 1 | 1 | 1 | 1 |
| 5 | 301.06-05 | 针杆上套 | NEEDLE BAR UPPER BUSHING | 1 | 1 | 1 | 1 | 1 | 1 |
| 6 | 301.06-06 | 针杆 | NEEDLE BAR | 1 | 1 | 1 | 1 | 1 | 1 |
| 7 | 301.06-07 | 防震塞 | SHOCKPROOF PLUG | 1 | 1 | 1 | 1 | 1 | 1 |
| 8 | 301.06-08 | 针杆连杆垫圈 | NEEDLE BAR LINK LEVER WASHER | 1 | 1 | 1 | 1 | 1 | 1 |
| 9 | 301.06-09 | 滚针轴承 | NEEDLE BEARING | 1 | 1 | 1 | 1 | 1 | 1 |
| 10 | 301.06-10 | 油线 | OIL WICK | 1 | 1 | 1 | 1 | 1 | 1 |
| 11 | 301.06-11 | 油线夹 | OIL WICK HOLDER | 1 | 1 | 1 | 1 | 1 | 1 |
| 12 | 301.06-12 | 针杆滑块 | NEEDLE BAR SLIDE BLOCK | 1 | 1 | 1 | 1 | 1 | 1 |
| 13 | 301.06-13 | 针杆滑块座 | NEEDLE BAR SLIDE BLOCK SEATING | 1 | 1 | 1 | 1 | 1 | 1 |
| 14 | 301.06-14 | 针杆接头 | NEEDLE BAR CONNECTING POLE | 1 | 1 | 1 | 1 | 1 | 1 |
| 15 | 301.06-15 | 针杆连接销 | NEEDLE BAR CONNECTING PIN | 1 | 1 | 1 | 1 | 1 | 1 |
| 16 | 301.06-16 | 针杆连杆 | NEEDLE BAR LINK LEVER | 1 | 1 | 1 | 1 | 1 | 1 |
| 17 | 301.06-17 | 油毡 | OIL FELT | 1 | 1 | 1 | 1 | 1 | 1 |
| 18 | 301.06-18 | 针杆下套 | NEEDLE BAR LOWER BUSHING | 1 | 1 | 1 | 1 | 1 | 1 |
| 19 | 301.06-19 | 针板螺钉 | NEEDLE PLATE SCREW M4X8 | 1 | 1 | 1 | 1 | 1 | 1 |
| 20 | 301.06-20 | 螺钉 | SCREW M4X10 | 1 | 1 | 1 | 1 | 1 | 1 |
| 21 | 301.06-21 | 针板螺钉开槽半沉头 | NEEDLE PLATE SCREW SM9/64"X40X7 | 2 | 2 | 2 | 2 | 2 | 2 |
| 22 | 301.06-22 | 针杆接头螺钉 | NEEDLE BAR CONNECTING SCREW SM11/64"X40X10 | 1 | 1 | 1 | 1 | 1 | 1 |
| 23 | 301.06-23 | 针夹螺钉 | NEEDLE HOLDER SCREW M3X3 | 3 | 3 | 3 | 3 | 3 | 3 |
| 24 | 301.06-24 | 机针 | NEEDLE | 3 | 3 | 3 | 3 | 3 | 3 |
| 25 | 301.06-25 | 螺钉 | SCREW M4X8 | 2 | 2 | 2 | 2 | 2 | 2 |
| 26 | 301.06-26 | 螺钉 | SCREW M4X12 | 2 | 2 | 2 | 2 | 2 | 2 |
| 27 | 301.06-27 | 针板接板定位销 | NEEDLE PLATE LINK PLATE PIN | 2 | 2 | 2 | 2 | 2 | 2 |

7. 护针部件 NEEDLE GUARD COMPONENTS



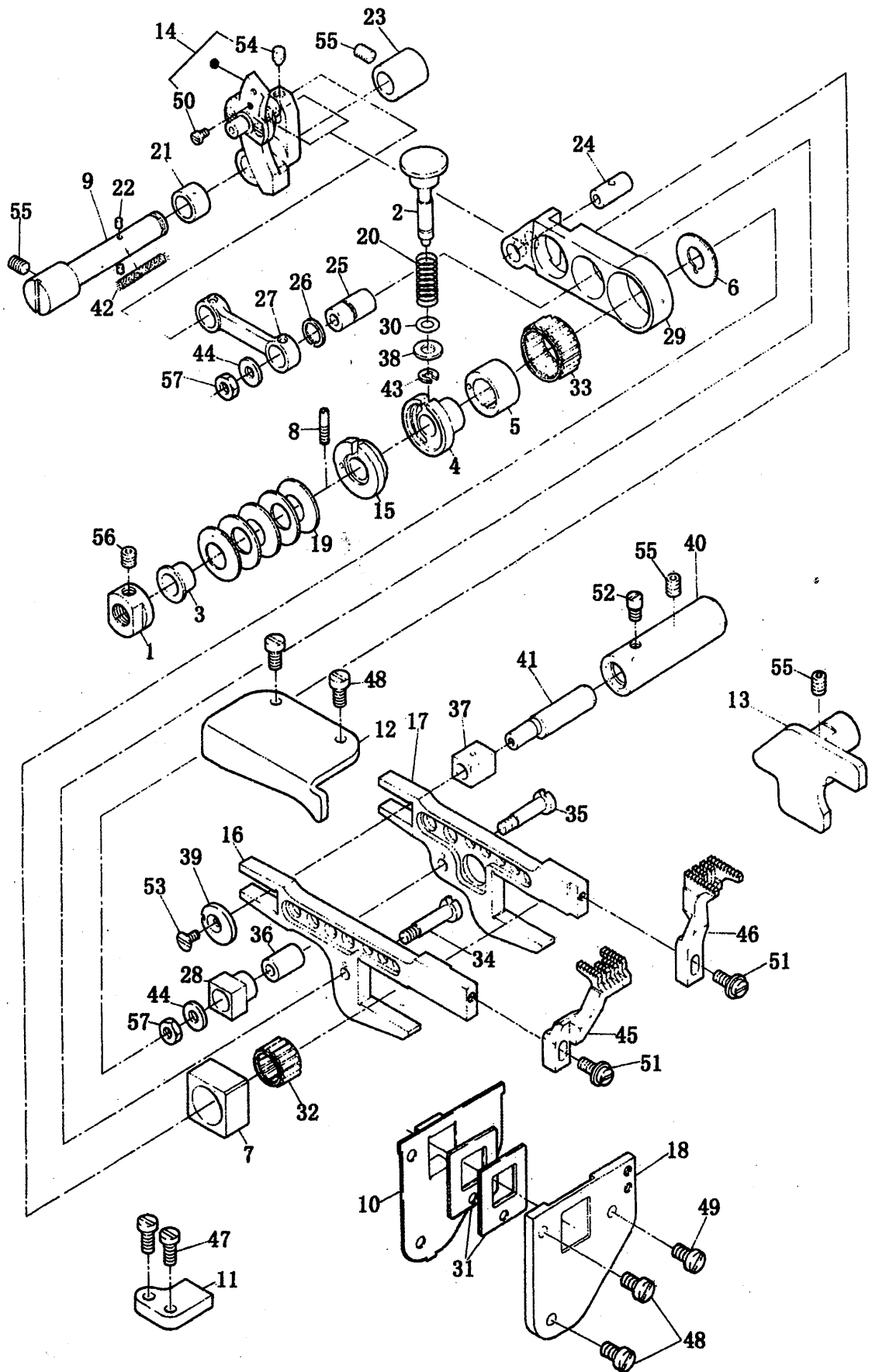
| 七、护针部件 NEEDLE GUARD COMPONENTS | | | | | | | | | |
|--------------------------------|--------------|---------|--|-----|-----|-----|-----|-----|-------|
| 序号 | 图号 | 名称 | DESIGNATION | -01 | -02 | -03 | -04 | -05 | -02HY |
| 1 | 301.07-01 | 保针曲柄 | NEEDLE GUARD CRANK | 1 | 1 | 1 | 1 | | 1 |
| 2 | 301.07-02 | 垫圈 | WASHER | 1 | 1 | 1 | 1 | | 1 |
| 3 | 301.07-03 | 后保针 | REAR NEEDLE GUARD | 1 | 1 | 1 | | | 1 |
| 4 | 301.07-04 | 保针连杆 | NEEDLE GUARD CONNECTING ROD | 1 | 1 | 1 | 1 | | 1 |
| 5 | 301.07-05 | 保针座 | NEEDLE GUARD BASE | 1 | 1 | 1 | | | 1 |
| 6 | 301.07-07 | 保针轴 | NEEDLE GUARD SHAFT | 1 | 1 | 1 | 1 | | 1 |
| 7 | 301.07-08 | 垫圈 | WASHER | 1 | 1 | 1 | 1 | | 1 |
| 8 | 301.07-09 | 油线 | OIL WICK | 3 | 3 | 3 | 3 | | 3 |
| 9 | 301.07-10 | 保针曲柄销 | NEEDLE GUARD CRANK PIN | 1 | 1 | 1 | 1 | | 1 |
| 10 | 301.07-11 | 开口挡圈 | SNAP THRUST RING | 1 | 1 | 1 | 1 | | 1 |
| 11 | 301.07-12 | 骨架防油圈 | FRAMEWORK OIL SHIELD | 1 | 1 | 1 | 1 | | 1 |
| 12 | 301.07-13 | 油线 | OIL WICK | 1 | 1 | 1 | 1 | | 1 |
| 13 | 301.07-14 | 保针螺钉 | NEEDLE GUARD SCREW M2.5X4 | 1 | 1 | 1 | | | 1 |
| 14 | 301.07-15 | 螺钉 | SCREW M4X7 | 1 | 1 | 1 | | | 1 |
| 15 | 301.07-16 | 保针连杆螺钉 | NEEDLE GUARD CONNECTING ROD SCREW SM11/64"X40X14 | 2 | 2 | 2 | 2 | | 2 |
| 16 | 301.07-17 | 保针曲柄螺钉 | NEEDLE GUARD CRANK SCREW SM11/64"X40X8 | 2 | 2 | 2 | 2 | | 2 |
| 17 | 301.07-18 | 螺钉 | SCREW M4X4 | 1 | 1 | 1 | 1 | | 1 |
| 18 | 301.07-19 | 螺钉 | SCREW M5X6 | 2 | 2 | 2 | 2 | | 2 |
| 19 | 301.07-20 | 保针座螺钉 | NEEDLE GUARD BASE SCREW M5X10 | 1 | 1 | 1 | 1 | | 1 |
| 20 | 301.07-21 | 前保针 | FRONT NEEDLE GUARD | 1 | 1 | 1 | 1 | | 1 |
| 21 | 301.07-23 | 保针轴左套 | NEEDLE GUARD SHAFT LEFT BUSHING | 1 | 1 | 1 | 1 | | 1 |
| 22 | 301.07-24 | 保针轴右套 | NEEDLE GUARD SHAFT RIGHT BUSHING | 1 | 1 | 1 | 1 | | 1 |
| 23 | 301.04-16 | 下轴前衬套组件 | LOWER SHAFT FRONT BUSHING ASM. | 1 | 1 | 1 | 1 | | 1 |
| | 301.04-16-01 | 下轴前衬套轴承 | BEARING | 1 | 1 | 1 | 1 | | 1 |
| | 301.04-16-02 | O形圈 | O-RING | 2 | 2 | 2 | 2 | | 2 |

8. 弯针部件 LOOPER COMPONENTS



| 八、弯针部件 LOOPER COMPONENTS | | | | | | | | | |
|--------------------------|-----------|------------|---|-----|-----|-----|-----|-----|-------|
| 序号 | 图号 | 名 称 | DESIGNATION | -01 | -02 | -03 | -04 | -05 | -02HY |
| 1 | 301.08-01 | 垫片 | WASHER | 1 | 1 | 1 | 2 | 1 | 1 |
| 2 | 301.08-02 | 弯针 | LOOPER | 1 | 1 | 1 | | 1 | 1 |
| 3 | 301.08-03 | 平衡块(下) | LOWER BALANCE BLOCK | 1 | 1 | 1 | 1 | | 1 |
| 4 | 301.08-04 | 弯针曲柄 | LOOPER CRANK | 1 | 1 | 1 | | 1 | 1 |
| 5 | 301.08-05 | 弯针轴 | LOOPER SHAFT | 1 | 1 | 1 | | 1 | 1 |
| 6 | 301.08-06 | 弯针调节摆轴 | LOOPER REGULATE DRIVING SHAFT | 1 | 1 | 1 | 1 | 1 | 1 |
| 7 | 301.08-07 | 调节摆杆 | REGULATOR DRIVING BAR | 1 | 1 | 1 | 1 | 1 | 1 |
| 8 | 301.08-08 | 偏心凸轮 | ECCENTRICITY CAM | 1 | 1 | 1 | 1 | | 1 |
| 9 | 301.08-09 | 垫圈 | WASHER | 1 | 1 | 1 | 1 | 1 | 1 |
| 10 | 301.08-12 | 偏心紧圈 | ECCENTRICITY THRUST RING | 1 | 1 | 1 | 1 | 1 | 1 |
| 11 | 301.08-13 | 垫圈 | WASHER | 1 | 1 | 1 | 1 | 1 | 1 |
| 12 | 301.08-14 | 开口挡圈 | SNAP THRUST RING | 1 | 1 | 1 | 1 | 1 | 1 |
| 13 | 301.08-15 | 弯针调节柱 | LOOPER REGULATOR POLE | 1 | 1 | 1 | 1 | 1 | 1 |
| 14 | 301.08-16 | 接头 | CONNECTING POLE | 1 | 1 | 1 | 1 | 1 | 1 |
| 15 | 301.08-17 | 弯针连杆组件 | LOOPER LINK LEVER ASM. | 1 | 1 | 1 | 1 | | 1 |
| 16 | 301.08-18 | 弯针调节摆轴左/右套 | REGULATOR DRIVING SHAFT BUSHING(LEFT,RIGHT) | 2 | 2 | 2 | 2 | 2 | 2 |
| 17 | 301.08-20 | 弯针轴前/后套 | LOOPER SHAFT BUSHING(FRONG,BACK) | 2 | 2 | 2 | 2 | 2 | 2 |
| 18 | 301.08-22 | 弯针刀槽螺钉 | LOOPER GROOVE SCREW M4X8 | 1 | 1 | 1 | | 1 | 1 |
| 19 | 301.08-23 | 弯针螺钉 | LOOPER SCREW M6X0.75X10 | 1 | 1 | 1 | | 1 | 1 |
| 20 | 301.08-24 | 连杆螺钉 | LINK LEVER SCREW SM9/64"X40X14 | 2 | 2 | 2 | 2 | | 2 |
| 21 | 301.08-25 | 平衡块螺钉 | BALANCE BLOCK SCREW M3X6 | 2 | 2 | 2 | 2 | | 2 |
| 22 | 301.08-26 | 紧圈螺钉 | THRUST RING SCREW SM11/64"X40X8 | 1 | 1 | 1 | 1 | 1 | 1 |
| 23 | 301.08-27 | 螺帽 | NUT M4 | 1 | 1 | 1 | 1 | 1 | 1 |
| 24 | 301.08-28 | 凸轮螺钉 | CAM SCREW M5X6 | 3 | 3 | 3 | 3 | 1 | 3 |
| 25 | 301.08-29 | 弯针曲柄螺钉 | LOOPER CRANK SCREW M5X16 | 1 | 1 | 1 | 2 | 1 | 1 |
| 26 | 301.08-30 | 螺帽 | NUT M5 | 1 | 1 | 1 | 1 | 1 | 1 |
| 27 | 301.08-31 | 骨架密封圈 | FRAMEWORK AIRPROOF RING | 1 | 1 | 1 | 1 | 1 | 1 |
| 28 | 301.08-10 | 垫圈 | WASHER | 1 | 1 | 1 | 1 | 1 | 1 |

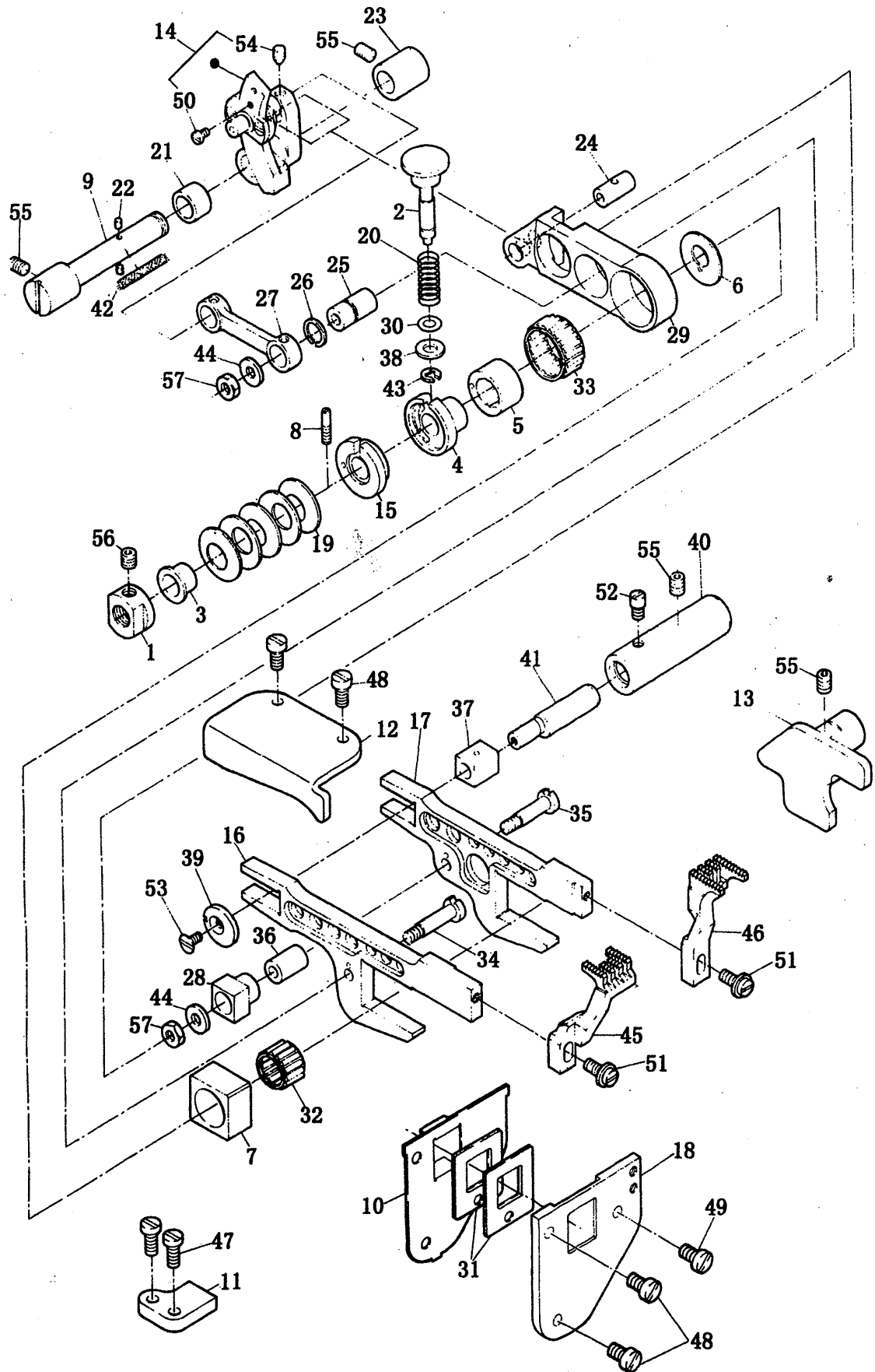
9. 送布部件 MAIN FEEN MECHANISM COMPONENTS



| 九、送布部件 MAIN FEED MECHANISM COMPONENTS | | | | | | | | | |
|---------------------------------------|-----------|----------|-----------------------------------|-----|-----|-----|-----|-----|-------|
| 序号 | 图号 | 名称 | DESIGNATION | -01 | -02 | -03 | -04 | -05 | -02HY |
| 1 | 301.09-01 | 凸轮螺母 | CAM NUT | 1 | 1 | 1 | 1 | 1 | 1 |
| 2 | 301.09-02 | 针距按钮 | NEEDLE DISTANCE BUTTON | 1 | 1 | 1 | 1 | 1 | 1 |
| 3 | 301.09-03 | 台阶套 | LADDER BUSHING | 1 | 1 | 1 | 1 | 1 | 1 |
| 4 | 301.09-04 | 送布调节凸轮 | FEED DOG REGULATOR CAM | 1 | 1 | 1 | 1 | 1 | 1 |
| 5 | 301.09-05 | 凸轮 | CAM | 1 | 1 | 1 | 1 | 1 | 1 |
| 6 | 301.09-06 | 送布连杆垫圈 | FEED DOG LINK LEVER WASHER | 1 | 1 | 1 | 1 | 1 | 1 |
| 7 | 301.09-07 | 牙架前滑块 | FEED RACK FRONT SLIDE BLOCK | 1 | 1 | 1 | 1 | 1 | 1 |
| 8 | 301.09-08 | 销螺钉 | PIN SCREW M3 | 1 | 1 | 1 | 1 | 1 | 1 |
| 9 | 301.09-09 | 差动器轴 | DIFFERENTIAL FEED SHAFT | 1 | 1 | 1 | 1 | 1 | 1 |
| 10 | 301.09-10 | 垫板 | WASHER | 1 | 1 | 1 | 1 | 1 | 1 |
| 11 | 301.09-11 | 左限位板 | LEFT STOPPER PLATE | 1 | 1 | 1 | 1 | 1 | 1 |
| 12 | 301.09-12 | 牙架上限位板 | FEED RACK UPPER STOPPER PLATE | 1 | 1 | 1 | 1 | 1 | 1 |
| 13 | 301.09-13 | 牙架右限位板 | FEED RACK RIGHT STOPPER PLATE | 1 | 1 | 1 | 1 | 1 | 1 |
| 14 | 301.09-14 | 差动器组件 | DIFFERENTIAL FEED ASSEMBLY | 1 | 1 | 1 | 1 | 1 | 1 |
| 15 | 301.09-15 | 针距调节套 | NEEDLE DISTANCE REGULATOR BUSHING | 1 | 1 | 1 | 1 | 1 | 1 |
| 16 | 301.09-16 | 差动牙架 | DIFFERENTIAL FEED RACK | 1 | 1 | 1 | 1 | 1 | 1 |
| 17 | 301.09-17 | 送布牙架 | FEED DOG RACK | 1 | 1 | 1 | 1 | 1 | 1 |
| 18 | 301.09-18 | 弯针盖 | LOOPER COVER | 1 | 1 | 1 | 1 | | 1 |
| 19 | 301.09-19 | 蝶形弹簧圈 | WAVE WASHER | 5 | 5 | 5 | 5 | 5 | 5 |
| 20 | 301.09-20 | 针距按钮簧 | NEEDLE DISTANCE BUTTON SPRING | 1 | 1 | 1 | 1 | 1 | 1 |
| 21 | 301.09-21 | 差动器隔套 | DIFFERENTIAL FEED SPACER | 1 | 1 | 1 | 1 | 1 | 1 |
| 22 | 301.09-22 | 油线 | OIL WICK | 1 | 1 | 1 | 1 | 1 | 1 |
| 23 | 301.09-23 | 差动器轴套 | DIFFERENTIAL FEED BUSHING | 1 | 1 | 1 | 1 | 1 | 1 |
| 24 | 301.09-24 | 送布连杆销 | FEED DOG LINK LEVER PIN | 1 | 1 | 1 | 1 | 1 | 1 |
| 25 | 301.09-25 | 送布连杆销 | FEED DOG LINK LEVER PIN | 1 | 1 | 1 | 1 | 1 | 1 |
| 26 | 301.09-26 | 开口挡圈 | SNAP RING | 1 | 1 | 1 | 1 | 1 | 1 |
| 27 | 301.09-27 | 差动送布连杆 | DIFFERENTIAL FEED LINK LEVER | 1 | 1 | 1 | 1 | 1 | 1 |
| 28 | 301.09-28 | 送布滑块 | FEED DOG SLIDE BLOCK | 1 | 1 | 1 | 1 | 1 | 1 |
| 29 | 301.09-29 | 送布连杆 | FEED DOG LINK LEVER | 1 | 1 | 1 | 1 | 1 | 1 |
| 30 | 301.09-30 | O型圈 | O-RING | 1 | 1 | 1 | 1 | 1 | 1 |
| 31 | 301.09-31 | 胶垫片 | RUBBER WASHER | 2 | 2 | 2 | 2 | 2 | 2 |
| 32 | 301.09-32 | 滚针轴承 | NEEDLE BEARING | 1 | 1 | 1 | 1 | 1 | 1 |
| 33 | 301.09-33 | 滚针轴承 | NEEDLE BEARING | 1 | 1 | 1 | 1 | 1 | 1 |
| 34 | 301.09-34 | 连接螺钉 | CONNECTION SCREW SM11/64"X40 | 1 | 1 | 1 | 1 | 1 | 1 |
| 35 | 301.09-35 | 送布滑块连接螺钉 | CONNECTION SCREW SM11/64"X40 | 1 | 1 | 1 | 1 | 1 | 1 |
| 36 | 301.09-36 | 送布滑块套 | FEED DOG SLIDE BLOCK BUSHING | 1 | 1 | 1 | 1 | 1 | 1 |
| 37 | 301.09-37 | 牙架后滑块 | FEED DOG RACK BACK SLIDE BLOCK | 1 | 1 | 1 | 1 | 1 | 1 |
| 38 | 301.09-38 | 垫圈 | WASHER | 1 | 1 | 1 | 1 | 1 | 1 |
| 39 | 301.09-39 | 垫圈 | WASHER | 1 | 1 | 1 | 1 | 1 | 1 |
| 40 | 301.09-40 | 偏心轴套 | ECCENTRIC BUSHING | 1 | 1 | 1 | 1 | 1 | 1 |
| 41 | 301.09-41 | 牙架偏心轴 | ECCENTRIC SHAFT | 1 | 1 | 1 | 1 | 1 | 1 |

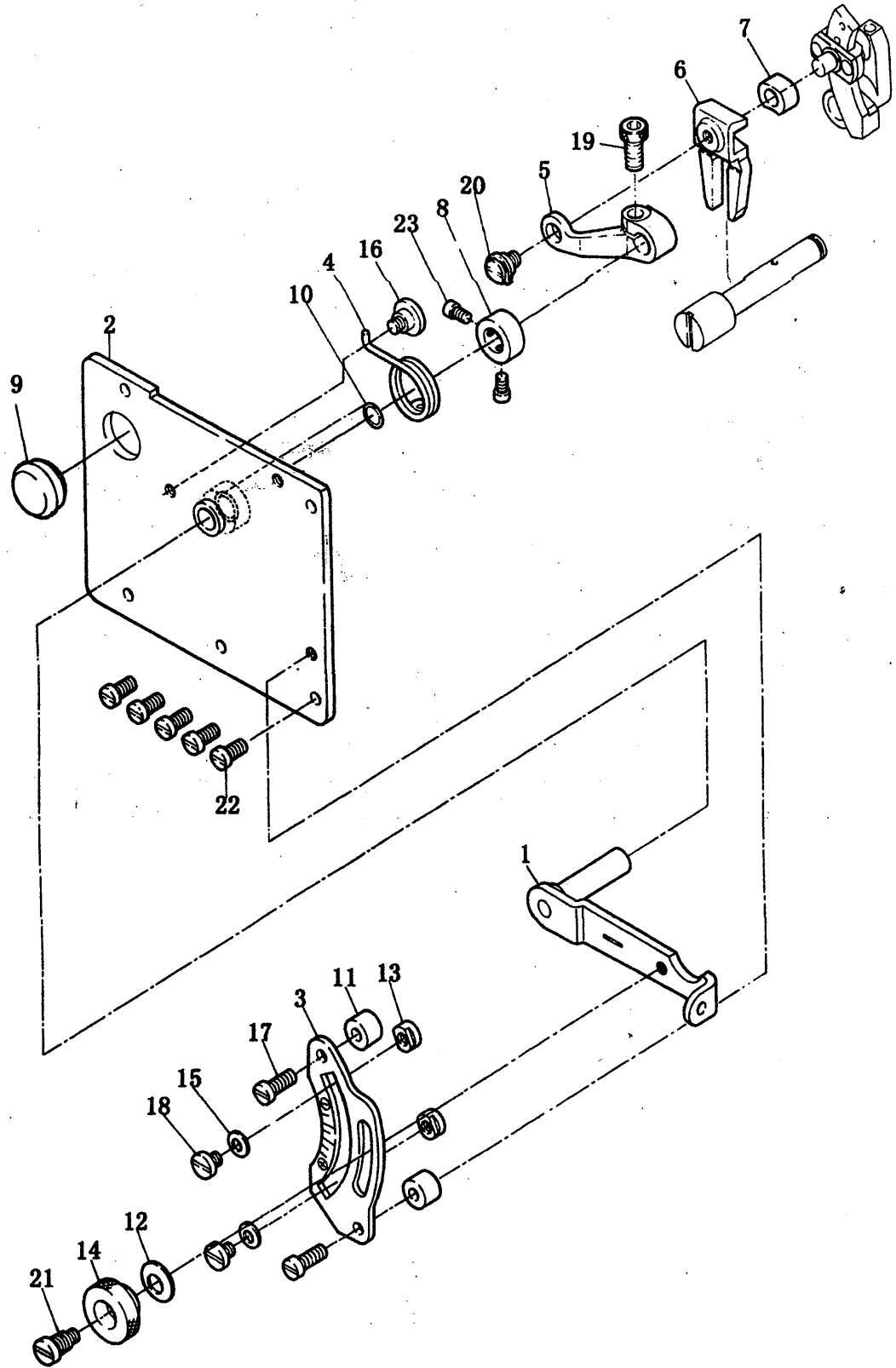
9. 送布部件

MAIN FEED MECHANISM COMPONENTS



| 九、送布部件 MAIN FEED MECHANISM COMPONENTS | | | | | | | | | |
|---------------------------------------|-----------|-------|-------------------------------|-----|-----|-----|-----|-----|-------|
| 序号 | 图号 | 名称 | DESIGNATION | -01 | -02 | -03 | -04 | -05 | -02HY |
| 42 | 301.09-42 | 油线 | OIL WICK | 1 | 1 | 1 | 1 | 1 | 1 |
| 43 | 301.09-43 | 开口挡圈 | SNAP RING | 1 | 1 | 1 | 1 | 1 | 1 |
| 44 | 301.09-44 | 垫片 | WASHER | 2 | 2 | 2 | 2 | 2 | 2 |
| 45 | 301.09-45 | 差动送布牙 | DIFFERENTIAL FEED DOG | 1 | | | | | |
| | 311.09-45 | 差动送布牙 | DIFFERENTIAL FEED DOG | | | | | 1 | |
| 46 | 301.09-46 | 主动送布牙 | MAIN FEED DOG | 1 | | | | | |
| | 311.09-46 | 主动送布牙 | MAIN FEED DOG | | | | | 1 | |
| 47 | 301.09-47 | 螺钉 | SCREW M4X10 | 2 | 2 | 2 | 2 | 2 | 2 |
| 48 | 301.09-48 | 限位板螺钉 | STOPPER PLATE SCREW M4X8 | 4 | 4 | 4 | 4 | 4 | 4 |
| 49 | 301.09-49 | 螺钉 | SCREW M4X8 | 1 | 1 | 1 | 1 | 1 | 1 |
| 50 | 301.09-50 | 差动器螺钉 | DIFFERENTIALFEED SCREW M2.5X4 | 2 | 2 | 2 | 2 | 2 | 2 |
| 51 | 301.09-51 | 牙架螺钉 | RACK SCREW SM9/64"X40 | 2 | 2 | 2 | 2 | 2 | 2 |
| 52 | 301.09-52 | 轴套螺钉 | BUSHING SCREW SM11/64"X40X6 | 1 | 1 | 1 | 1 | 1 | 1 |
| 53 | 301.09-53 | 螺钉 | SCREW SM1/8X44"X5 | 1 | 1 | 1 | 1 | 1 | 1 |
| 54 | 301.09-54 | 螺钉 | SCREW M4X5 | 1 | 1 | 1 | 1 | 1 | 1 |
| 55 | 301.09-55 | 螺钉 | SCREW M5X6 | 4 | 4 | 4 | 4 | 4 | 4 |
| 56 | 301.09-56 | 螺钉 | SCREW M5X5 | 1 | 1 | 1 | 1 | 1 | 1 |
| 57 | 301.09-57 | 螺母 | NUT SM11/64"X40 | 2 | 2 | 2 | 2 | 2 | 2 |

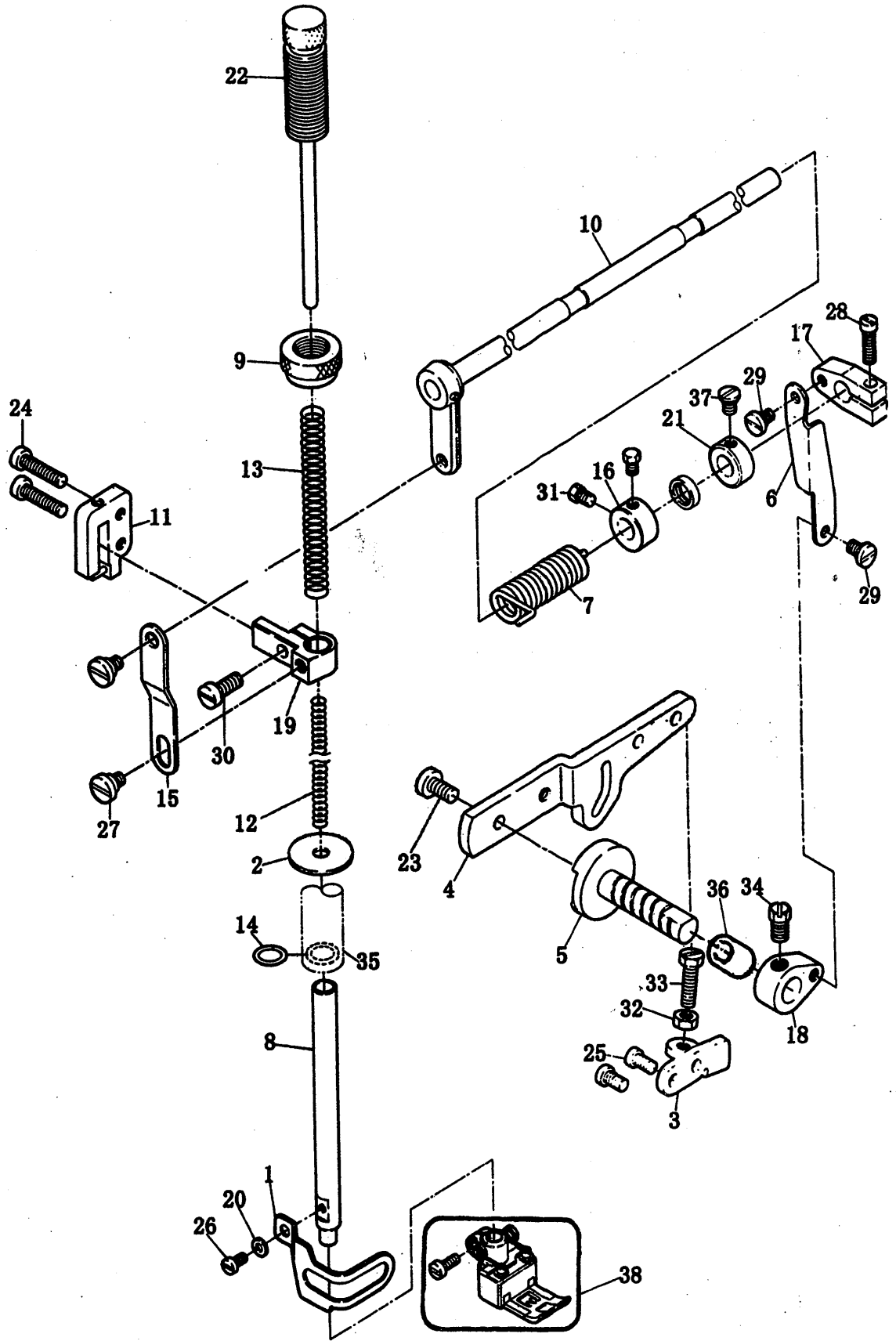
10. 差动部件 DIFFERENTIAL FEED MECHANISM COMPONENTS



| 十、差动部件 DIFFERENTIAL FEED MECHANISM COMPONENTS | | | | | | | | | |
|---|-----------|----------|---|-----|-----|-----|-----|-----|-------|
| 序号 | 图号 | 名称 | DESIGNATION | -01 | -02 | -03 | -04 | -05 | -02HY |
| 1 | 301.10-01 | 调节杆(组件) | ADJUSTING ROD ASM. | 1 | 1 | 1 | 1 | 1 | 1 |
| 2 | 301.10-02 | 差动调节板 | DIFFERENTIAL FEED REGULATING PLATE | 1 | 1 | 1 | 1 | 1 | 1 |
| 3 | 301.10-03 | 差动调节刻度板 | DIFFERENTIAL FEED REGULATING GRADUATION PLATE | 1 | 1 | 1 | 1 | 1 | 1 |
| 4 | 301.10-04 | 差动调节复位弹簧 | DIFFERENTIAL FEED REGULATING RETURN SPRING | 1 | 1 | 1 | 1 | 1 | 1 |
| 5 | 301.10-05 | 差动调节曲柄 | DIFFERENTIAL FEED REGULATING CRANK | 1 | 1 | 1 | 1 | 1 | 1 |
| 6 | 301.10-06 | 差动调节吊板 | DIFFERENTIAL FEED REGULATING FORK PLATE | 1 | 1 | 1 | 1 | 1 | 1 |
| 7 | 301.10-07 | 滑块 | SLIDE BLOCK | 1 | 1 | 1 | 1 | 1 | 1 |
| 8 | 301.10-08 | 差动扳手紧圈 | THRUST RING | 1 | 1 | 1 | 1 | 1 | 1 |
| 9 | 301.10-09 | 闷头 | PLUG | 1 | 1 | 1 | 1 | 1 | 1 |
| 10 | 301.10-10 | O型密封圈 | RUBBER RING | 1 | 1 | 1 | 1 | 1 | 1 |
| 11 | 301.10-11 | 刻度板隔套 | GRADUATION PLATE SPACER | 2 | 2 | 2 | 2 | 2 | 2 |
| 12 | 301.10-12 | 蝶形垫圈 | WAVE WASHER | 1 | 1 | 1 | 1 | 1 | 1 |
| 13 | 301.10-13 | 螺母(专用) | NUT | 2 | 2 | 2 | 2 | 2 | 2 |
| 14 | 301.10-14 | 差动调节锁紧螺母 | LOCKNUT | 1 | 1 | 1 | 1 | 1 | 1 |
| 15 | 301.10-15 | 平垫圈 | WAVE WASHER | 2 | 2 | 2 | 2 | 2 | 2 |
| 16 | 301.10-16 | 螺钉 | SCREW SM11/64"X40 | 1 | 1 | 1 | 1 | 1 | 1 |
| 17 | 301.10-17 | 螺钉 | SCREW M4X12 | 2 | 2 | 2 | 2 | 2 | 2 |
| 18 | 301.10-18 | 螺钉 | SCREW SM11/64"X40X6 | 2 | 2 | 2 | 2 | 2 | 2 |
| 19 | 301.10-19 | 螺钉 | SCREW M5X12 | 1 | 1 | 1 | 1 | 1 | 1 |
| 20 | 301.10-20 | 螺钉 | SCREW SM11/64"X40 | 1 | 1 | 1 | 1 | 1 | 1 |
| 21 | 301.10-21 | 锁紧螺钉 | SCREW SM7/32"X32 | 1 | 1 | 1 | 1 | 1 | 1 |
| 22 | 301.10-22 | 螺钉 | SCREW M4X8 | 5 | 5 | 5 | 5 | 5 | 5 |
| 23 | 301.10-23 | 螺钉 | SCREW SM9/64"X40X6 | 2 | 2 | 2 | 2 | 2 | 2 |

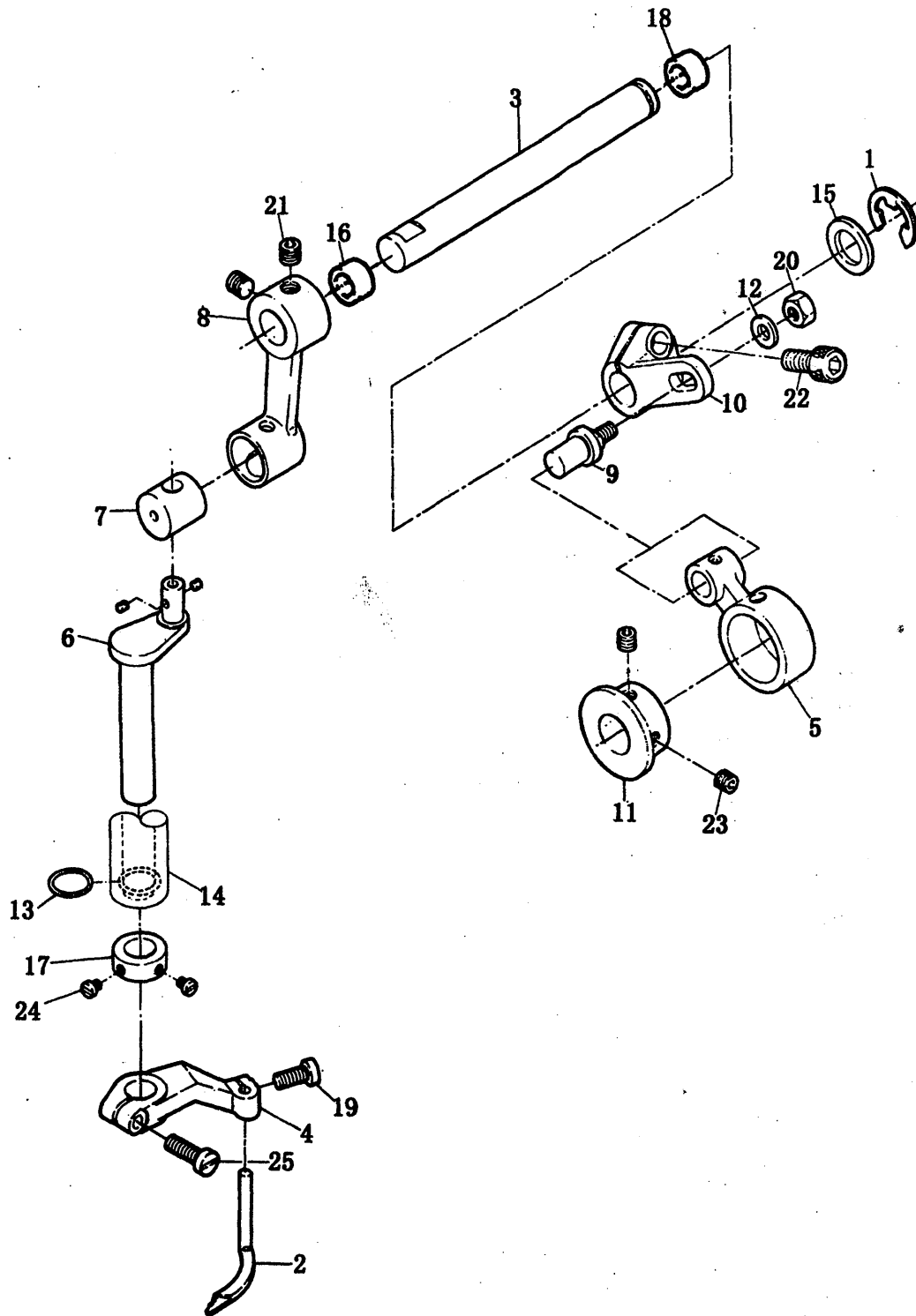
11. 拾压脚部件

PRESSER FOOT LIFTER COMPONENTS



| 十一、抬压脚部件 PRESSER FOOT LIFTER COMPONENTS | | | | | | | | | |
|---|-----------|--------|---------------------------------|-----|-----|-----|-----|-----|-------|
| 序号 | 图号 | 名称 | DESIGNATION | -01 | -02 | -03 | -04 | -05 | -02HY |
| 1 | 301.11-01 | 压紧防护罩 | PRESSER BAR SHIELD | 1 | 1 | 1 | | | |
| 2 | 301.11-02 | 压紧杆防油罩 | RUBBER WASHER | 1 | 1 | 1 | 1 | 1 | 1 |
| 3 | 301.11-03 | 限位板 | STOPPER PLATE | 1 | 1 | 1 | 1 | 1 | 1 |
| 4 | 301.11-04 | 抬压脚拉杆 | PRESSER FOOT LIFTING LEVER | 1 | 1 | 1 | 1 | 1 | 1 |
| 5 | 301.11-05 | 拉杆座 | LEVER BASE | 1 | 1 | 1 | 1 | 1 | 1 |
| 6 | 301.11-06 | 抬压脚吊杆 | PRESSER FOOT LIFTING STEEVE | 1 | 1 | 1 | 1 | 1 | 1 |
| 7 | 301.11-07 | 抬压脚弹簧 | PRESSER FOOT LIFTING SPRING | 1 | 1 | 1 | 1 | 1 | 1 |
| 8 | 301.11-08 | 压紧杆 | PRESSER BAR | 1 | 1 | 1 | 1 | 1 | 1 |
| 9 | 301.11-09 | 调压螺母 | ADJUSTING NUT | 1 | 1 | 1 | 1 | 1 | 1 |
| 10 | 301.11-10 | 抬压脚轴组件 | PRESSER FOOT LIFTING SHAFT | 1 | 1 | 1 | 1 | 1 | 1 |
| 11 | 301.11-11 | 压杆导架座 | PRESSER BAR GUIDE BRACKET BASE | 1 | 1 | 1 | 1 | 1 | 1 |
| 12 | 301.11-12 | 调压内弹簧 | PRESSER REGULATING INNER SPRING | 1 | 1 | 1 | 1 | 1 | 1 |
| 13 | 301.11-13 | 调压弹簧 | PRESSER REGULATING SPRING | 1 | 1 | 1 | 1 | 1 | 1 |
| 14 | 301.11-14 | O型圈 | O-RING | 1 | 1 | 1 | 1 | 1 | 1 |
| 15 | 301.11-15 | 抬压脚吊板 | PRESSER FOOT LIFTING STEEVE | 1 | 1 | 1 | 1 | 1 | 1 |
| 16 | 301.11-16 | 抬压脚轴紧圈 | THRUST RING | 1 | 1 | 1 | 1 | 1 | 1 |
| 17 | 301.11-17 | 抬压脚曲柄 | PRESSER FOOT LIFTING CRANK | 1 | 1 | 1 | 1 | 1 | 1 |
| 18 | 301.11-18 | 吊杆曲柄 | STEEVE CRANK | 1 | 1 | 1 | 1 | 1 | 1 |
| 19 | 301.11-19 | 压杆导架 | PRESSER BAR GUIDE BRACKET | 1 | 1 | 1 | 1 | 1 | 1 |
| 20 | 301.11-20 | 垫圈 | WASHER | 1 | 1 | 1 | 1 | 1 | |
| 21 | 301.11-21 | 限位紧圈 | THRUST RING | 1 | 1 | 1 | 1 | 1 | 1 |
| 22 | 301.11-22 | 调压螺钉 | ADJUSTING SCREW | 1 | 1 | 1 | 1 | 1 | 1 |
| 23 | 301.11-23 | 螺钉 | SCREW M5X10 | 1 | 1 | 1 | 1 | 1 | 1 |
| 24 | 301.11-24 | 导架座螺钉 | BRACKET BASE SCREW M4X20 | 2 | 2 | 2 | 2 | 2 | 2 |
| 25 | 301.11-25 | 螺钉 | SCREW M4X8 | 2 | 2 | 2 | 2 | 2 | 2 |
| 26 | 301.11-26 | 螺钉 | SCREW M3X6 | 1 | 1 | 1 | 1 | 1 | |
| 27 | 301.11-27 | 螺钉 | SCREW SM3/16X32 | 2 | 2 | 2 | 2 | 2 | 2 |
| 28 | 301.11-28 | 螺钉 | SCREW SM11/64"X40X14 | 1 | 1 | 1 | 1 | 1 | 1 |
| 29 | 301.11-29 | 螺钉 | SCREW SM11/64"X40 | 2 | 2 | 2 | 2 | 2 | 2 |
| 30 | 301.11-30 | 螺钉 | SCREW SM11/64"X40X12 | 1 | 1 | 1 | 1 | 1 | 1 |
| 31 | 301.11-31 | 螺钉 | SCREW SM11/64"X40X6 | 2 | 2 | 2 | 2 | 2 | 2 |
| 32 | 301.11-32 | 螺母 | NUT M5 | 1 | 1 | 1 | 1 | 1 | 1 |
| 33 | 301.11-33 | 螺钉 | SCREW M5X25 | 1 | 1 | 1 | 1 | 1 | 1 |
| 34 | 301.11-34 | 螺钉 | SCREW SM1/4"X40X9 | 1 | 1 | 1 | 1 | 1 | 1 |
| 35 | 301.11-35 | 压紧杆套 | PRESSER BAR BUSHING | 1 | 1 | 1 | 1 | 1 | 1 |
| 36 | 301.11-36 | 拉杆座套 | LEVER BASE BUSHING | 1 | 1 | 1 | 1 | 1 | 1 |
| 37 | 301.11-37 | 螺钉 | SCREW SM11/64"X40X6 | 1 | 1 | 1 | 1 | 1 | 1 |
| 38 | 301.11-38 | 压脚(组件) | PRESSER FOOT | 1 | | | | | |
| | 311.11-38 | 压脚 | PRESSER FOOT | | | | | 1 | |

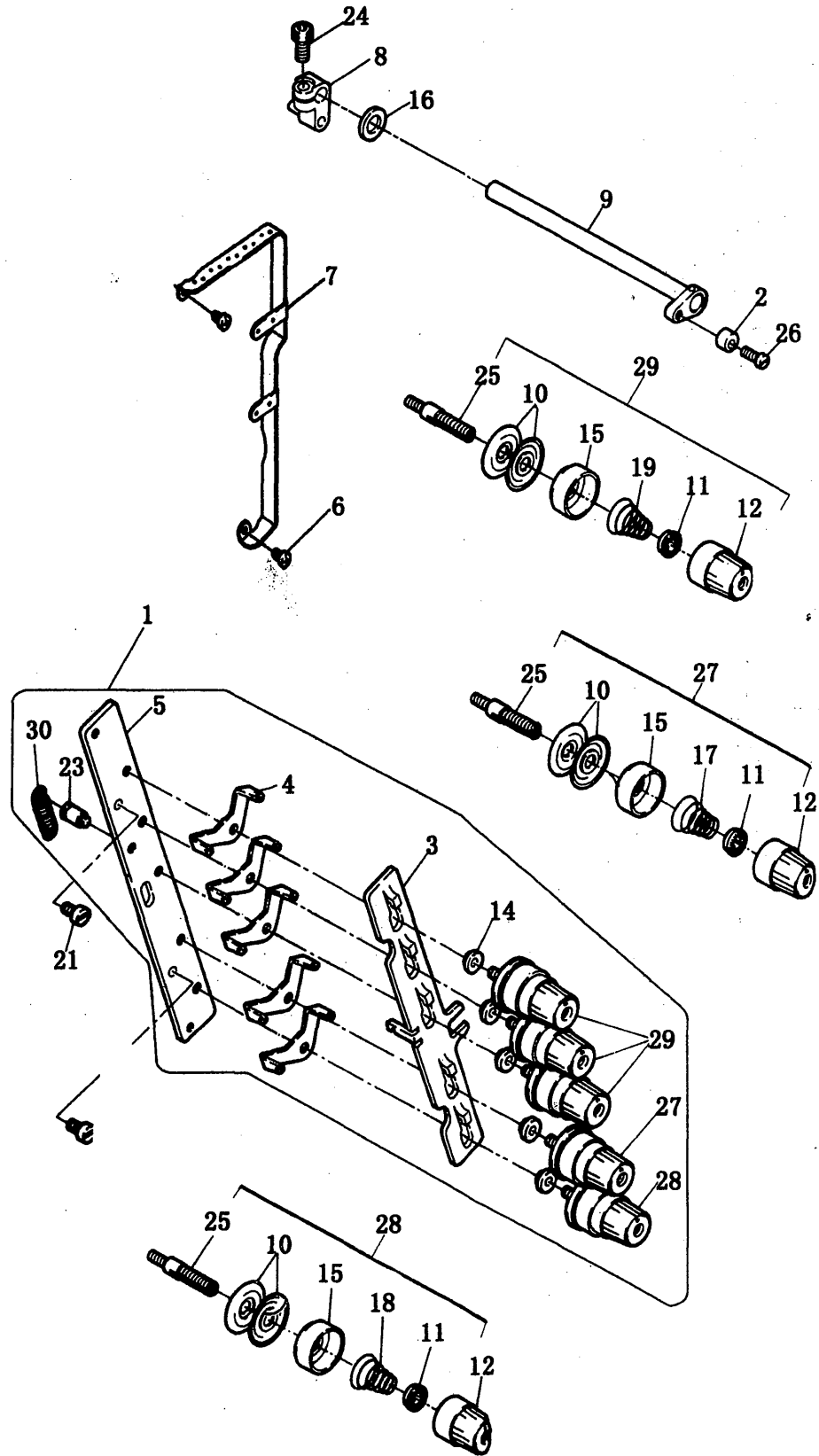
12. 绷针部件 STRETCH NEEDLE COMPONENTS



| 十二、绷针部件 STRETCH NEEDLE COMPONENTS | | | | | | | | | | |
|-----------------------------------|-----------|--------|--------------------------------------|-----|-----|-----|-----|-----|-------|---|
| 序号 | 图号 | 名称 | DESIGNATION | -01 | -02 | -03 | -04 | -05 | -02HY | |
| 1 | 301.12-01 | 开口挡圈 | SNAP RING | 1 | 1 | 1 | | 1 | | |
| 2 | 301.12-02 | 绷针 | STRETCH TIGHT NEEDLE | 1 | 1 | 1 | | 1 | | |
| 3 | 301.12-03 | 绷针横轴 | STRETCH TIGHT NEEDLE CROSSING SHAFT | 1 | 1 | 1 | | 1 | | |
| 4 | 301.12-04 | 绷针下摆杆 | LOWER OSCILLATING BAR | 1 | 1 | 1 | | 1 | | |
| 5 | 301.12-05 | 绷针连杆 | STRETCH TIGHT NEEDLE LINK LEVER | 1 | 1 | 1 | | 1 | | |
| 6 | 301.12-06 | 绷针曲柄 | STRETCH TIGHT NEEDLE CRANK | 1 | 1 | 1 | | 1 | | |
| 7 | 301.12-07 | 绷针连接柱 | STRETCH TIGHT NEEDLE CONNECTING POLE | 1 | 1 | 1 | | 1 | | |
| 8 | 301.12-08 | 绷针上摆杆 | UPPER OSCILLATING BAR | 1 | 1 | 1 | | 1 | | |
| 9 | 301.12-09 | 摆杆螺钉 | OSCILLATING BAR SCREW | 1 | 1 | 1 | | 1 | | |
| 10 | 301.12-10 | 绷针调节摆杆 | REGULATE OSCILLATING BAR | 1 | 1 | 1 | | 1 | | |
| 11 | 301.12-11 | 绷针凸轮 | STRETCH TIGHT NEEDLE CAM | 1 | 1 | 1 | | 1 | | |
| 12 | 301.12-12 | 垫圈 | WASHER | 1 | 1 | 1 | | 1 | | |
| 13 | 301.12-13 | O型圈 | O-RING | 1 | 1 | 1 | | 1 | | |
| 14 | 301.12-14 | 绷针竖套 | STRETCH TIGHT NEEDLE UPRIGHT BUSHING | 1 | 1 | 1 | | 1 | | 1 |
| 15 | 301.12-15 | 垫圈 | WASHER | 1 | 1 | 1 | | 1 | | |
| 16 | 301.12-16 | 绷针左套 | STRETCH TIGHT NEEDLE LEFT BUSHING | 1 | 1 | 1 | | 1 | | |
| 17 | 301.12-17 | 绷针紧圈 | THRUST RING | 1 | 1 | 1 | | 1 | | |
| 18 | 301.12-18 | 绷针右套 | STRETCH TIGHT NEEDLE RIGHT BUSHING | 1 | 1 | 1 | | 1 | | |
| 19 | 301.12-19 | 螺钉 | SCREW M4X10 | 1 | 1 | 1 | | 1 | | |
| 20 | 301.12-20 | 螺母 | NUT M5 | 1 | 1 | 1 | | 1 | | |
| 21 | 301.12-21 | 螺钉 | SCREW M6X0.75X6 | 2 | 2 | 2 | | 2 | | |
| 22 | 301.12-22 | 螺钉 | SCREW M6X0.75X14 | 1 | 1 | 1 | | 1 | | |
| 23 | 301.12-23 | 螺钉 | SCREW M5X5 | 2 | 2 | 2 | | 2 | | |
| 24 | 301.12-24 | 螺钉 | SCREW SM1/8"X44X4 | 2 | 2 | 2 | | 2 | | |
| 25 | 301.12-27 | 螺钉 | SCREW M4X14 | 1 | 1 | 1 | | 1 | | |

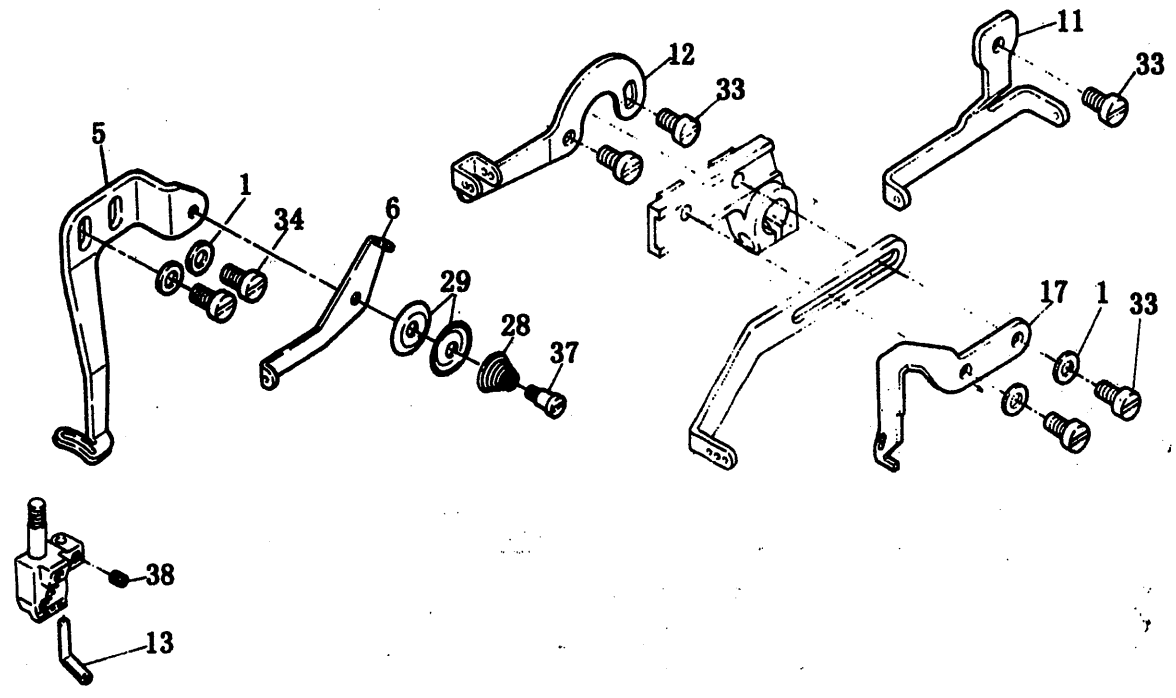
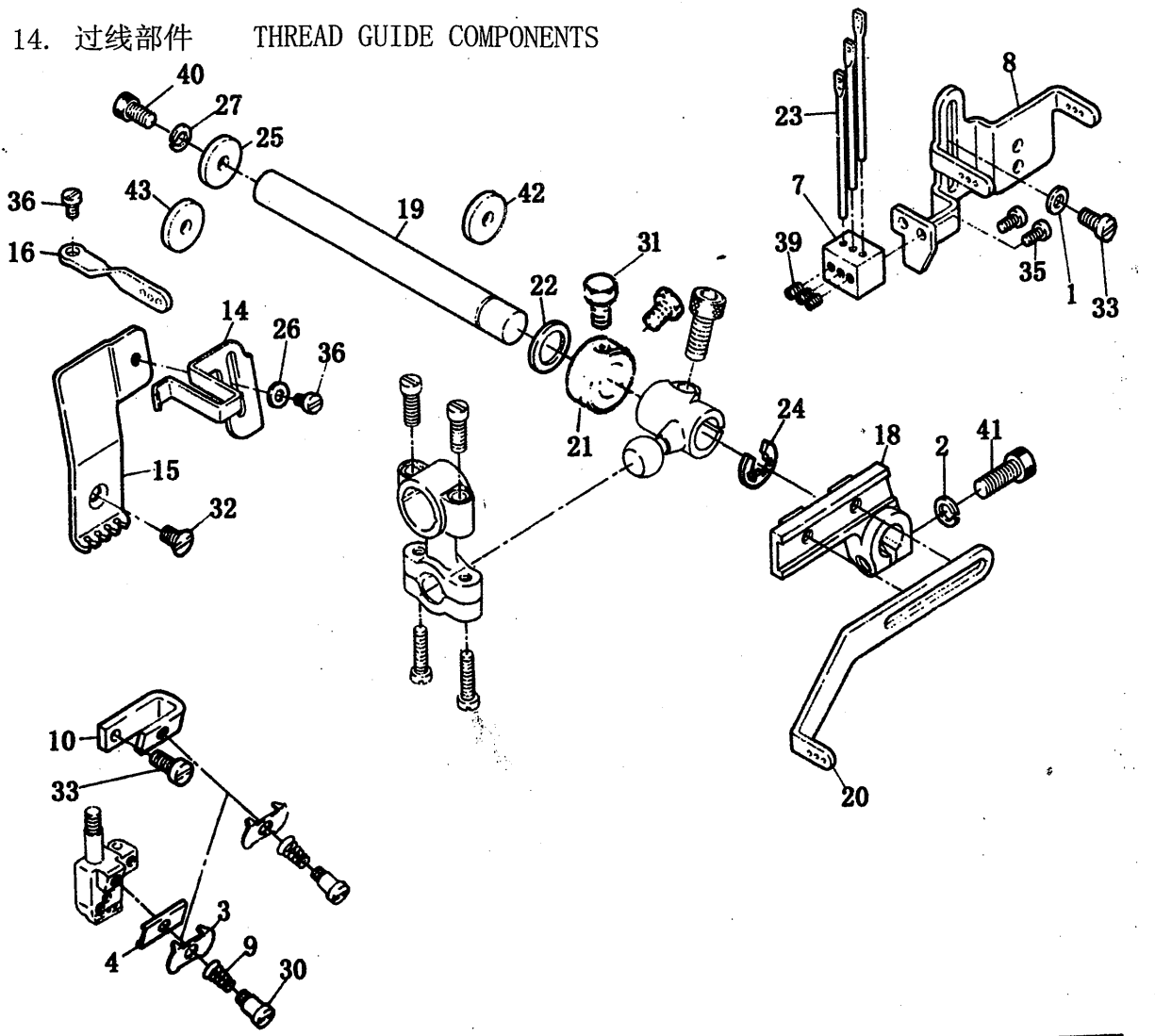
13. 过线器部件

THREAD GUIDE MECHANISM COMPONENTS



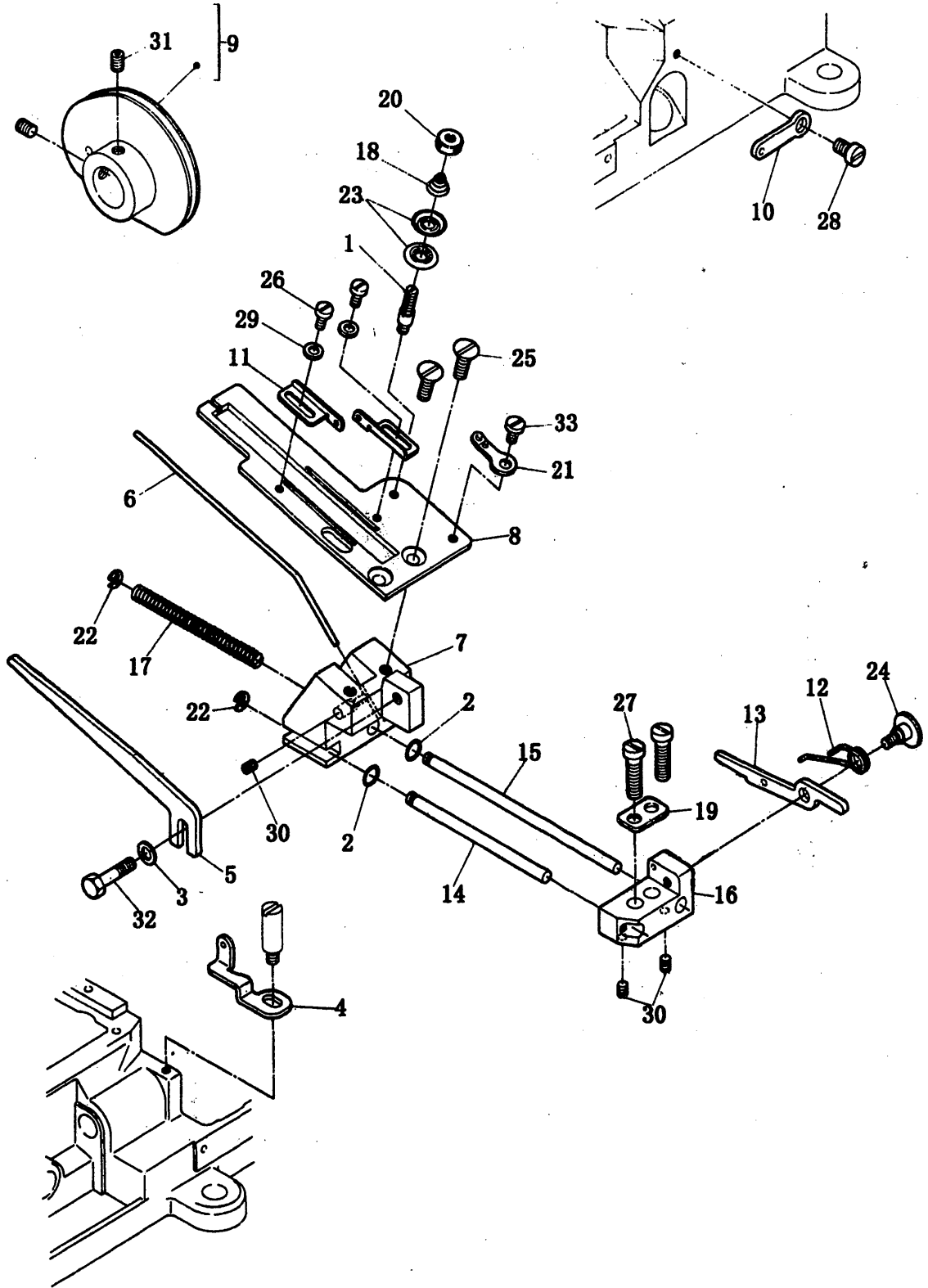
| 十三、过线器部件 THREAD GUIDE MECHANISM COMPONENTS | | | | | | | | | |
|--|-----------|---------|--------------------------------|------|------|------|-----|------|-------|
| 序号 | 图号 | 名称 | DESIGNATION | -01 | -02 | -03 | -04 | -05 | -02HY |
| 1 | 301.13-30 | 夹线器大组件 | THREAD TENSION SPRING ARM. | 1 | 1 | 1 | | 1 | 1 |
| 2 | 301.13-02 | 隔套 | SPACER | 1 | 1 | 1 | 1 | 1 | 1 |
| 3 | 301.13-03 | 过线座 | THREAD EYELET BASE | (1) | (1) | (1) | (1) | (1) | (1) |
| 4 | 301.13-04 | 压线过线板2 | THREAD GUIDE PLATE2 | (5) | (5) | (5) | (4) | (5) | (5) |
| 5 | 301.13-05 | 挺线板 | THREAD EYELET BASE | (1) | (1) | (1) | (1) | (1) | (1) |
| 6 | 301.13-06 | 螺钉 | WASHER M4X5 | 2 | 2 | 2 | 2 | 2 | 2 |
| 7 | 301.13-07 | 过线架 | THREAD EYELET STAND | 1 | 1 | 1 | 1 | 1 | 1 |
| 8 | 301.13-08 | 挺线杆曲柄 | THREAD EYELET BASE SHAFT CRANK | 1 | 1 | 1 | 1 | 1 | 1 |
| 9 | 301.13-09 | 挺线杆(组件) | THREAD EYELET BASE SHAFT | 1 | 1 | 1 | 1 | 1 | 1 |
| 10 | 301.13-10 | 夹线板 | THREAD TENSION PLATE | <10> | <10> | <10> | <8> | <10> | <10> |
| 11 | 301.13-11 | 夹线防松圈 | THREAD TENSION RING | <5> | <5> | <5> | <4> | <5> | <5> |
| 12 | 301.13-12 | 夹线螺母 | THREAD TENSION NUT | <5> | <5> | <5> | <4> | <5> | <5> |
| 14 | 301.13-14 | 垫圈 | WASHER | (5) | (5) | (5) | (4) | (5) | (5) |
| 15 | 301.13-15 | 夹线座 | THREAD TENSION BASE | <5> | <5> | <5> | <4> | <5> | <5> |
| 16 | 301.13-16 | 垫圈 | WASHER | 1 | 1 | 1 | 1 | 1 | 1 |
| 17 | 301.13-17 | 夹线簧 | THREAD TENSION SPRING | <1> | <1> | <1> | <1> | <1> | <1> |
| 18 | 301.13-18 | 夹线簧 | THREAD TENSION SPRING | <1> | <1> | <1> | <1> | <1> | <1> |
| 19 | 301.13-19 | 夹线簧 | THREAD TENSION SPRING | <3> | <3> | <3> | <2> | <3> | <3> |
| 21 | 301.13-21 | 螺钉 | WASHER M4X8 | 2 | 2 | 2 | 2 | 2 | 2 |
| 23 | 301.13-23 | 挺线板螺钉 | SCREW M4X8 | (2) | (2) | (2) | (2) | (2) | (2) |
| 24 | 301.13-24 | 螺钉 | SCREW M5X12 | 1 | 1 | 1 | 1 | 1 | 1 |
| 25 | 301.13-25 | 夹线螺钉 | THREAD TENSION SCREW STUD | <5> | <5> | <5> | <4> | <5> | <5> |
| 26 | 301.13-26 | 螺钉 | SCREW SM11/64"X40X12 | 1 | 1 | 1 | 1 | 1 | 1 |
| 27 | 301.13-27 | 夹线器组件B | THREAD TENSION SPRING ARM B | (1) | (1) | (1) | (1) | (1) | (1) |
| 28 | 301.13-28 | 夹线器组件C | THREAD TENSION SPRING ARM C | (1) | (1) | (1) | (1) | (1) | (1) |
| 29 | 301.13-29 | 夹线器组件A | THREAD TENSION SPRING ARM A | (3) | (3) | (3) | (2) | (3) | (3) |
| 30 | 301.13-01 | 挺线板拉簧 | SPRING | (1) | (1) | (1) | (1) | (1) | (1) |

14. 过线部件 THREAD GUIDE COMPONENTS



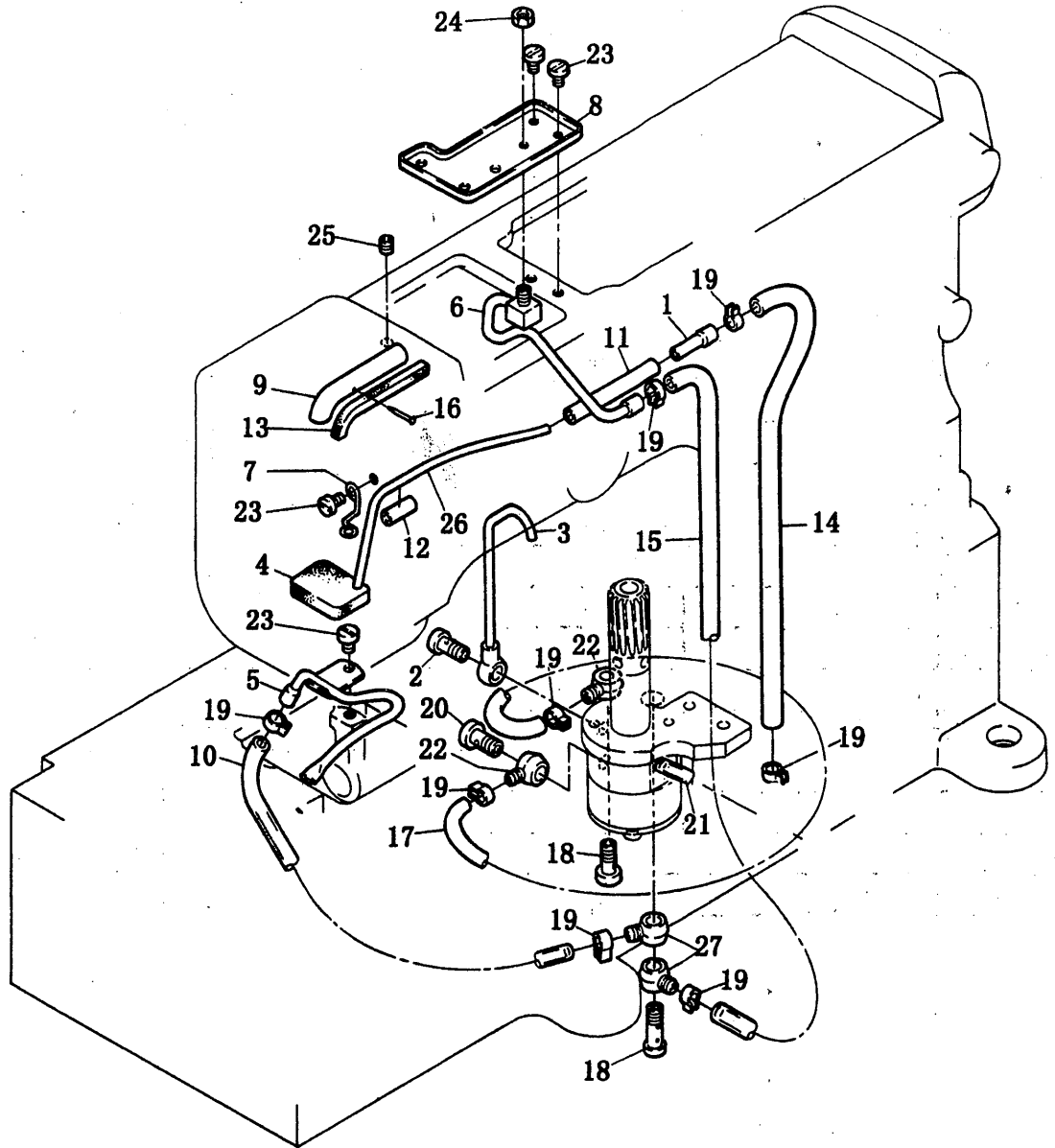
| 十四、过线部件 THREAD GUIDE COMPONENTS | | | | | | | | | |
|---------------------------------|-----------|----------|--|-----|-----|-----|-----|-----|-------|
| 序号 | 图号 | 名称 | DESIGNATION | -01 | -02 | -03 | -04 | -05 | -02HY |
| 1 | 301.14-01 | 垫圈 | WASHER | 3 | 3 | 3 | 1 | 3 | |
| 2 | 301.14-02 | 垫圈 | WASHER | 1 | 1 | 1 | 1 | 1 | 1 |
| 3 | 301.14-03 | 针轧过线压板 | THREAD GUIDE PRESSING PLATE | 1 | 1 | 1 | 1 | 1 | 1 |
| 4 | 301.14-04 | 针轧过线板 | THREAD GUIDE PLATE | 1 | 1 | 1 | 1 | 1 | 1 |
| 5 | 301.14-05 | 绷线过线下过线板 | LOWER THREAD GUIDE PLATE | 1 | 1 | 1 | | 1 | |
| 6 | 301.14-06 | 绷线过线板 | THREAD GUIDE PLATE | 1 | 1 | 1 | | 1 | |
| 7 | 301.14-07 | 硅油过线座 | SILICONE THREAD GUIDE BASE | 1 | 1 | 1 | 1 | 1 | 1 |
| 8 | 301.14-08 | 硅油过线座 | SILICONE THREAD GUIDE BASE | 1 | 1 | 1 | 1 | 1 | 1 |
| 9 | 301.14-09 | 针轧过线簧 | THREAD EYELET SPRING | 1 | 1 | 1 | 1 | 1 | 1 |
| 10 | 301.14-10 | 小过线座 | THREAD GUIDE BASE (SMALL) | 1 | 1 | 1 | 1 | 1 | 1 |
| 11 | 301.14-11 | 绷针上导线板 | UPPER THREAD GUIDE PLATE | 1 | 1 | 1 | | 1 | |
| 12 | 301.14-12 | 张线杆 | THREAD EYELET GUIDE LEVER | 1 | 1 | 1 | | 1 | 1 |
| 13 | 301.14-13 | 针轧右过线杆 | THREAD EYELET RIGHT BAR | 1 | 1 | 1 | | 1 | |
| 14 | 301.14-14 | 挑线防护罩 | THREAD TAKE-UP SHIELD | 1 | 1 | 1 | 1 | 1 | 1 |
| 15 | 301.14-15 | 挑线防护罩座 | THREAD TAKE-UP SHIELD BASE | 1 | 1 | 1 | 1 | 1 | 1 |
| 16 | 301.14-16 | 针杆上过线 | NEEDLE BAR TOP THREAD GUIDE | 1 | 1 | 1 | 1 | 1 | 1 |
| 17 | 301.14-17 | 上叉挑线杆 | THREAD TAKE-UP LEVER | 1 | 1 | 1 | | 1 | |
| 18 | 301.14-18 | 挑线杆座 | THREAD TAKE-UP LEVER BASE | 1 | 1 | 1 | 1 | 1 | 1 |
| 19 | 301.14-19 | 挑线杆轴 | THREAD TAKE-UP LEVER SHAFT | 1 | 1 | 1 | 1 | 1 | 1 |
| 20 | 301.14-20 | 挑线杆 | THREAD TAKE-UP LEVER | 1 | 1 | 1 | 1 | 1 | 1 |
| 21 | 301.14-21 | 紧圈 | THRUST RING | 1 | 1 | 1 | 1 | 1 | 1 |
| 22 | 301.14-22 | 密封圈(骨架) | AIRPROOF RING | 1 | 1 | 1 | 1 | 1 | 1 |
| 23 | 301.14-23 | 挑线钉 | THREAD EYELET GUIDED NAIL | 3 | 3 | 3 | 2 | 3 | 3 |
| 24 | 301.14-24 | 开口挡圈 | SNAP RING | 1 | 1 | 1 | 1 | 1 | 1 |
| 25 | 301.14-25 | 垫圈 | WASHER | 1 | 1 | 1 | 1 | 1 | 1 |
| 26 | 301.14-26 | 垫圈 | WASHER | 1 | 1 | 1 | 1 | 1 | 1 |
| 27 | 301.14-27 | 止退圈 | STOPPER RING | 1 | 1 | 1 | 1 | 1 | 1 |
| 28 | 301.14-28 | 压线簧 | PRESSER SPRING | 1 | 1 | 1 | | 1 | |
| 29 | 301.14-29 | 过线压板 | PRESSER PLATE | 2 | 2 | 2 | | 2 | |
| 30 | 301.14-30 | 针轧过线螺钉 | SCREW M3 | 1 | 1 | 1 | 1 | 1 | 1 |
| 31 | 301.14-31 | 螺钉 | SCREW SM11/64"X40X6 | 2 | 2 | 2 | 2 | 2 | 2 |
| 32 | 301.14-32 | 螺钉 | SCREW M4X8 | 1 | 1 | 1 | 1 | 1 | 1 |
| 33 | 301.14-33 | 螺钉 | SCREW M4X8 | 7 | 7 | 7 | 4 | 7 | |
| 34 | 301.14-34 | 螺钉 | SCREW M4X8 | 2 | 2 | 2 | | 2 | |
| 35 | 301.14-35 | 螺钉 | SCREW M3X6 | 2 | 2 | 2 | 2 | 2 | 2 |
| 36 | 301.14-36 | 螺钉 | SCREW M3X5 | 2 | 2 | 2 | 2 | 2 | 2 |
| 37 | 301.14-37 | 夹线螺钉 | SCREW SM1/8"X44 | 1 | 1 | 1 | | 1 | |
| 38 | 301.14-38 | 螺钉 | SCREW M3X3 | 1 | 1 | 1 | | 1 | 1 |
| 39 | 301.14-40 | 螺钉 | SCREW M3X4 | 3 | 3 | 3 | 2 | 3 | 3 |
| 40 | 301.14-41 | 挑线杆轴螺钉 | THREAD TAKE-UP LEVER SHAFT SCREW M4X8 | 1 | 1 | 1 | 1 | 1 | 1 |
| 41 | 301.14-42 | 螺钉 | SCREW M5X16 | 1 | 1 | 1 | 1 | 1 | 1 |
| 42 | 301.14-43 | 挑线杆轴前套 | THREAD TAKE-UP LEVER SHAFT FRONT BUSHING | 1 | 1 | 1 | 1 | 1 | 1 |
| 43 | 301.14-44 | 挑线杆轴后套 | THREAD TAKE-UP LEVER SHAFT BACK BUSHING | 1 | 1 | 1 | 1 | 1 | 1 |

15. 下过线部件 LOWER THREAD TENSION COMPONENTS



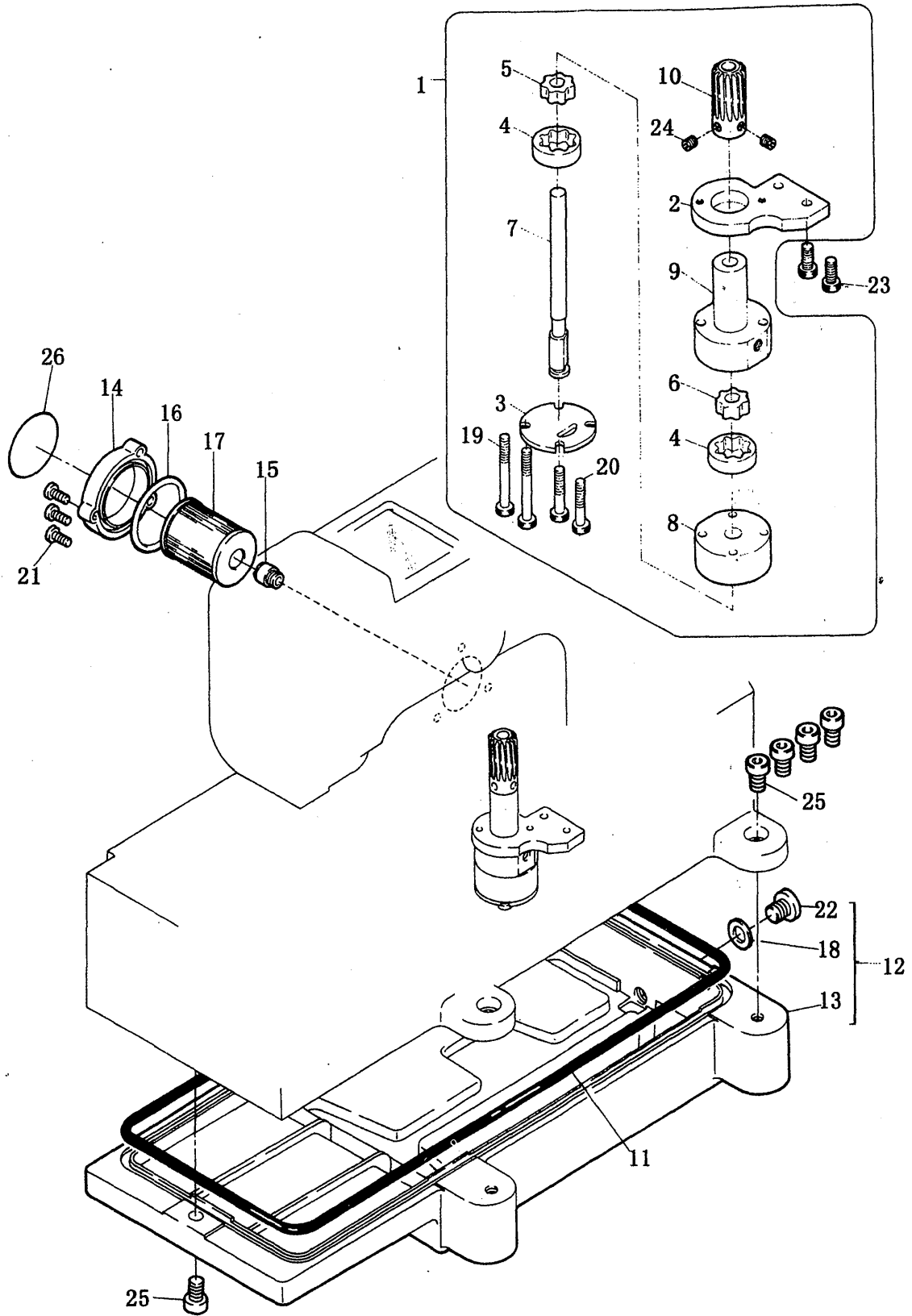
| 十五、下过线部位 | | | | | | | | | |
|----------|-----------|-----------|----------------------------------|-----|-----|-----|-----|-----|-------|
| 序号 | 图号 | 名称 | DESIGNATION | -01 | -02 | -03 | -04 | -05 | -02HY |
| 1 | 301.15-01 | 压线板螺钉 | SCREW | 1 | 1 | 1 | 1 | 1 | 1 |
| 2 | 301.15-02 | O型垫圈 | O-RING | 2 | 2 | 2 | 2 | 2 | 2 |
| 3 | 301.15-03 | 垫圈 | WASHER | 1 | 1 | 1 | 1 | 1 | 1 |
| 4 | 301.15-04 | 过线板 | THREAD GUIDE PLATE | 1 | 1 | 1 | | 1 | 1 |
| 5 | 301.15-05 | 下过线压板 | LOWER THREAD GUIDE PRESSER PLATE | 1 | 1 | 1 | 1 | 1 | 1 |
| 6 | 301.15-06 | 下过线杆 | LOWER THREAD EYELET BAR | 1 | 1 | 1 | 1 | 1 | 1 |
| 7 | 301.15-07 | 下过线架 | LOWER THREAD GUIDE FRAME | 1 | 1 | 1 | 1 | 1 | 1 |
| 8 | 301.15-08 | 下过线板 | LOWER THREAD GUIDE PLATE | 1 | 1 | 1 | 1 | 1 | 1 |
| 9 | 301.15-09 | 凸轮(组件) | CAM ASM. | 1 | 1 | 1 | 1 | 1 | 1 |
| 10 | 301.15-10 | 过线板 | THREAD GUIDE PLATE | 1 | 1 | 1 | | 1 | 1 |
| 11 | 301.15-11 | 下过线板 | LOWER THREAD GUIDE PLATE | 2 | 2 | 2 | | 2 | 2 |
| 12 | 301.15-12 | 下过线勾 | LOWER THREAD FINGER | 1 | 1 | 1 | 1 | 1 | 1 |
| 13 | 301.15-13 | 扳手 | HANDLE | 1 | 1 | 1 | 1 | 1 | 1 |
| 14 | 301.15-14 | 下线短导杆 | SHORT THREAD LEADER ROD | 1 | 1 | 1 | 1 | 1 | 1 |
| 15 | 301.15-15 | 下过线导杆 | THREAD LEADER ROD | 1 | 1 | 1 | 1 | 1 | 1 |
| 16 | 301.15-16 | 下过线座 | LOWER THREAD GUIDE SEATING | 1 | 1 | 1 | 1 | 1 | 1 |
| 17 | 301.15-17 | 压簧 | PRESS SPRING | 1 | 1 | 1 | 1 | 1 | 1 |
| 18 | 301.15-18 | 绷线簧 | SPRING | 1 | 1 | 1 | 1 | 1 | 1 |
| 19 | 301.15-19 | 下过线垫片 | WASHER | 1 | 1 | 1 | 1 | 1 | 1 |
| 20 | 301.15-20 | 螺母(夹线板专用) | NUT | 1套 | 1套 | 1套 | 1套 | 1套 | 1套 |
| 21 | 301.15-21 | 下过线板 | LOWER THREAD GUIDE PLATE | 1 | 1 | 1 | 1 | 1 | 1 |
| 22 | 301.15-22 | 开口挡圈 | SNAP RING | 2 | 2 | 2 | 2 | 2 | 2 |
| 23 | 301.15-23 | 绷线小压板 | PRESSER PLATE | 2 | 2 | 2 | 2 | 2 | 2 |
| 24 | 301.15-24 | 螺钉 | SCREW | 1 | 1 | 1 | 1 | 1 | 1 |
| 25 | 301.15-25 | 螺钉 | SCREW M4X8 | 2 | 2 | 2 | 2 | 2 | 2 |
| 26 | 301.15-26 | 螺钉 | SCREW M2.5X4 | 2 | 2 | 2 | 2 | 2 | 2 |
| 27 | 301.15-27 | 螺钉 | SCREW M4X16 | 2 | 2 | 2 | 2 | 2 | 2 |
| 28 | 301.15-28 | 螺钉 | SCREW M4X6 | 1 | 1 | 1 | 1 | 1 | 1 |
| 29 | 301.15-29 | 垫圈 | WASHER | 2 | 2 | 2 | 2 | 2 | 2 |
| 30 | 301.15-30 | 螺钉 | SCREW M3X3 | 3 | 3 | 3 | 3 | 3 | 3 |
| 31 | 301.15-31 | 螺钉 | SCREW M5X5 | 2 | 2 | 2 | 2 | 2 | 2 |
| 32 | 301.15-32 | 外六角螺钉 | SCREW M4X6 | 1 | 1 | 1 | 1 | 1 | 1 |
| 33 | 301.15-33 | 螺钉 | SCREW M3X4 | 1 | 1 | 1 | 1 | 1 | 1 |

16. 供油部件 LUBRICATION MECHNISM COMPONENTS



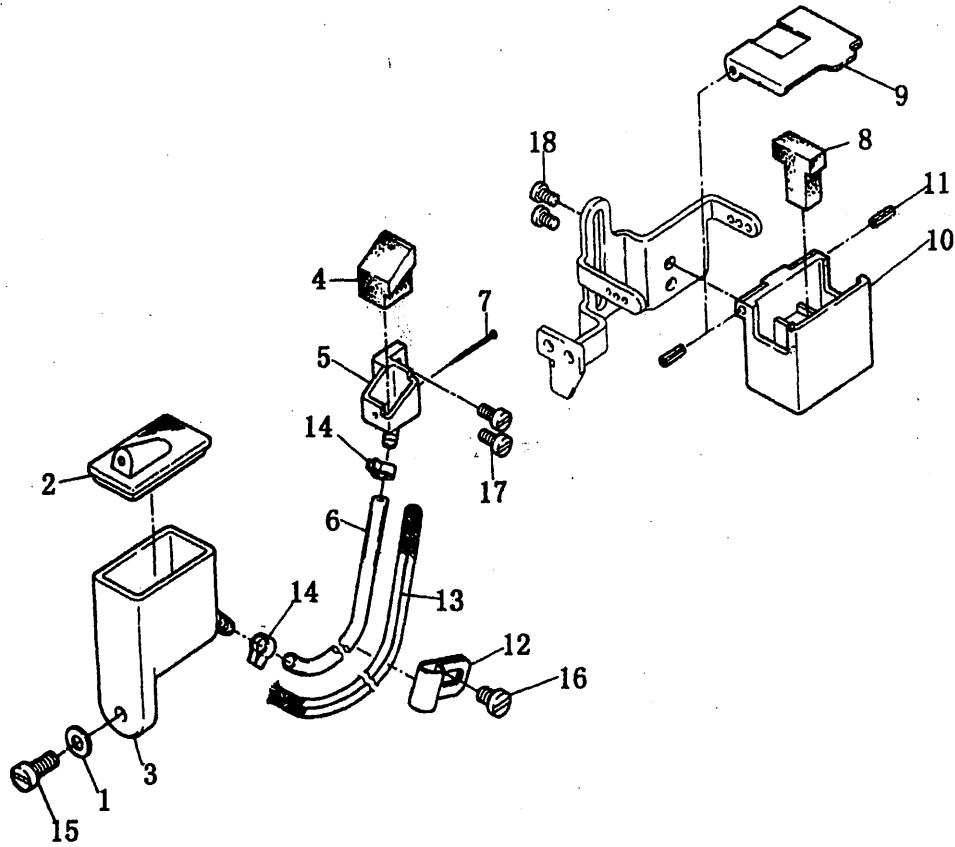
| 十六、供油部件 LUBRICATION MECHNISM COMPONENTS | | | | | | | | | |
|---|--------------|----------|-----------------------------------|-----|-----|-----|-----|-----|-------|
| 序号 | 图号 | 名称 | DESIGNATION | -01 | -02 | -03 | -04 | -05 | -02HY |
| 1 | 301.16-01 | 管接头 | TERMINAL | 1 | 1 | 1 | 1 | 1 | 1 |
| 2 | 301.16-02 | 螺钉小双通油接头 | SCREW WITH SMALL DOUBLE HOLES | 1 | 1 | 1 | 1 | 1 | 1 |
| 3 | 301.16-03 | 油管组件 | OIL TUBE COMPLETE | 1 | 1 | 1 | 1 | 1 | 1 |
| 4 | 301.16-04 | 羊毛毡 | WOOL FELT | 1 | 1 | 1 | 1 | 1 | 1 |
| 5 | 301.16-05 | 下油管组件 | LOWER OIL TUBE COMPLETE | 1 | 1 | 1 | 1 | 1 | 1 |
| 6 | 301.16-06 | 油管组件 | OIL TUBE COMPLETE | 1 | 1 | 1 | 1 | 1 | 1 |
| 7 | 301.16-07 | 油管定位勾 | OIL TUBE HOLDER | 1 | 1 | 1 | 1 | 1 | 1 |
| 8 | 301.16-08 | 上油盘 | UPPER OIL PAN | 1 | 1 | 1 | 1 | 1 | |
| 9 | 301.16-09 | 油管 | OIL TUBE | 1 | 1 | 1 | 1 | 1 | 1 |
| 10 | 301.16-10 | 油管 | OIL TUBE | 1 | 1 | 1 | 1 | 1 | 1 |
| 11 | 301.16-11 | 油管 | OIL TUBE | 1 | 1 | 1 | 1 | 1 | 1 |
| 12 | 301.16-12 | 小油管 | SMALL OIL TUBE | 1 | 1 | 1 | 1 | 1 | 1 |
| 13 | 301.16-13 | 油线 | OIL WICK | 1 | 1 | 1 | 1 | 1 | 1 |
| 14 | 301.16-14 | 油管 | OIL TUBE | 1 | 1 | 1 | 1 | 1 | 1 |
| 15 | 301.16-15 | 油管 | OIL TUBE | 1 | 1 | 1 | 1 | 1 | 1 |
| 16 | 301.16-16 | 油线钉 | OIL WICK NAIL | 1 | 1 | 1 | 1 | 1 | 1 |
| 17 | 301.16-17 | 油管 | OIL TUBE | 1 | 1 | 1 | 1 | 1 | 1 |
| 18 | 301.16-18 | 螺钉双通油接头 | SCREW WITH DOUBLE HOLES SM1/4"X40 | 2 | 2 | 2 | 2 | 2 | 2 |
| 19 | 301.16-19 | 夹头 | COLLET | 8 | 8 | 8 | 8 | 8 | 8 |
| 20 | 301.16-20 | 螺钉单通油螺钉 | SCREW WITH SINGLE HOLE SM1/4"X40 | 1 | 1 | 1 | 1 | 1 | 1 |
| 21 | 301.16-20-01 | 管接头 | TERMINAL | 1 | 1 | 1 | 1 | 1 | 1 |
| 22 | 301.16-21 | 管接头(单) | TERMINAL (SINGLE HOLE) | 2 | 2 | 2 | 2 | 2 | 2 |
| 23 | 301.16-22 | 螺钉 | SCREW M4X6 | 4 | 4 | 4 | 4 | 4 | 4 |
| 24 | 301.16-23 | 螺母 | NUT M4 | 1 | 1 | 1 | 1 | 1 | 1 |
| 25 | 301.16-24 | 螺钉 | SCREW M5X5 | 1 | 1 | 1 | 1 | 1 | 1 |
| 26 | 301.16-25 | 油管 | OIL TUBE | 1 | 1 | 1 | 1 | 1 | 1 |
| 27 | 301.16-26 | 管接头(双) | TERMINAL | 1 | 1 | 1 | 1 | 1 | 1 |

17. 油泵部件 PUMP COMPONENTS



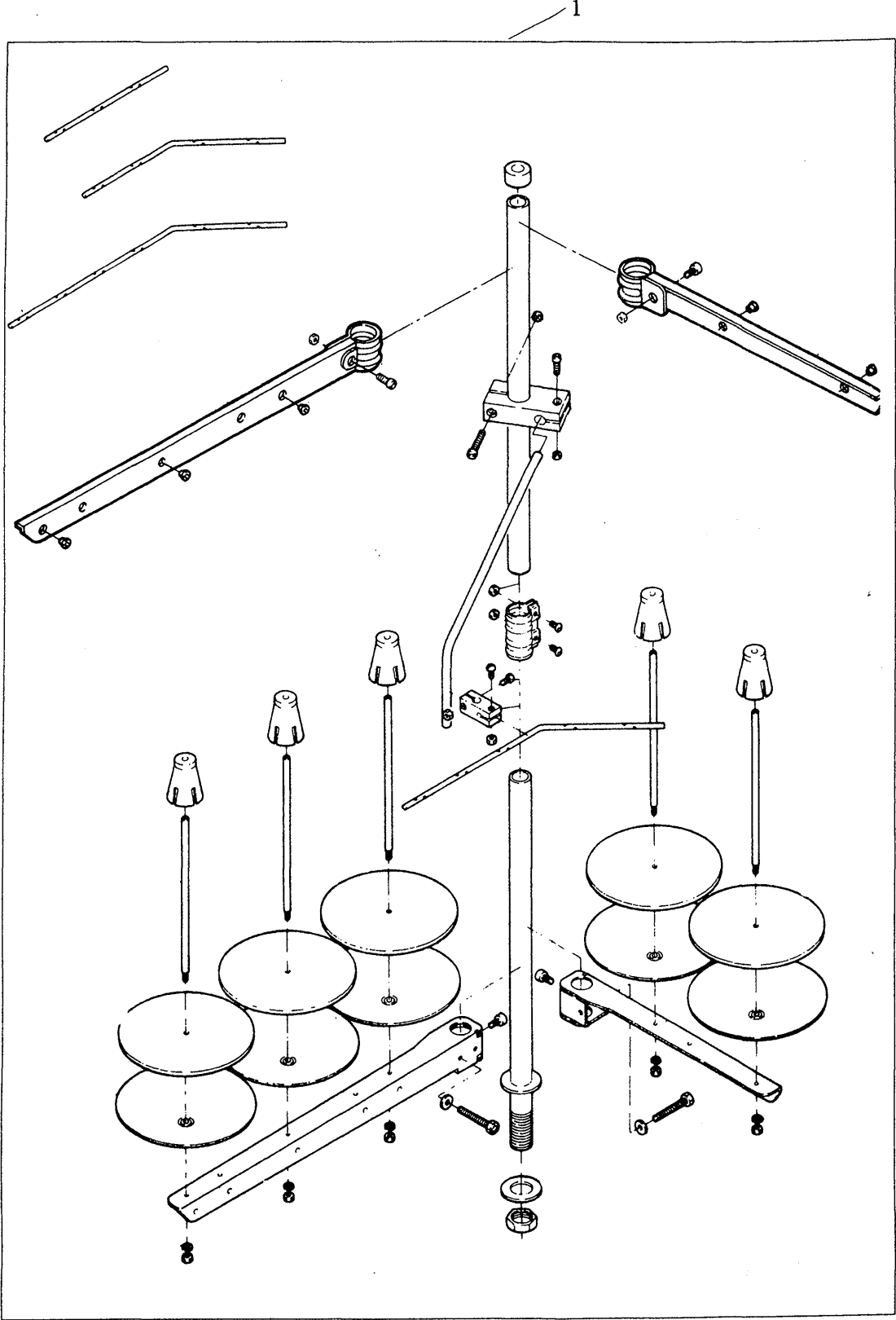
| 十七、油泵部件 PUMP COMPONENTS | | | | | | | | | |
|-------------------------|-----------|--------------|-----------------------------|-----|-----|-----|-----|-----|-------|
| 序号 | 图号 | 名称 | DESIGNATION | -01 | -02 | -03 | -04 | -05 | -02HY |
| 1 | 301.17-01 | (油泵组件) | PUMP COMPLETE | 1 | 1 | 1 | 1 | 1 | 1 |
| 2 | 301.17-02 | 固定板 | FIXING PLATE | (1) | (1) | (1) | (1) | (1) | (1) |
| 3 | 301.17-03 | 油泵端盖(底板) | MOTHERBOARD | (1) | (1) | (1) | (1) | (1) | (1) |
| 4 | 301.17-04 | 内齿轮 | INNER GEAR WHEEL | (2) | (2) | (2) | (2) | (2) | (2) |
| 5 | 301.17-05 | 上齿轮 | GEAR WHEEL (UPPER) | (1) | (1) | (1) | (1) | (1) | (1) |
| 6 | 301.17-06 | 下齿轮 | GEAR WHEEL (LOWER) | (1) | (1) | (1) | (1) | (1) | (1) |
| 7 | 301.17-07 | 油示轴 $\phi 8$ | SHAFT | (1) | (1) | (1) | (1) | (1) | (1) |
| 8 | 301.17-08 | 油泵壳体 | PUMP BODY | (1) | (1) | (1) | (1) | (1) | (1) |
| 9 | 301.17-09 | 上油泵体 | UPPER PUMP BODY | (1) | (1) | (1) | (1) | (1) | (1) |
| 10 | 301.17-10 | 小轮 | SMALL GEAR WHEEL | (1) | (1) | (1) | (1) | (1) | (1) |
| 11 | 301.17-11 | 油盘防油垫 | OIL PROTECTING GASKET | 1 | 1 | 1 | 1 | 1 | 1 |
| 12 | 301.17-12 | 油盘组件 | OIL PAN ASM. | 1 | 1 | 1 | 1 | 1 | 1 |
| 13 | 301.17-13 | 油盘 | OIL PAN | 1 | 1 | 1 | 1 | 1 | 1 |
| 14 | 301.17-14 | 滤油器盖 | PUMP FILTER COVER | 1 | 1 | 1 | 1 | 1 | 1 |
| 15 | 301.17-15 | 滤油器螺钉 | PUMP FILTER SCREW SM3/8"X28 | 1 | 1 | 1 | 1 | 1 | 1 |
| 16 | 301.17-16 | O型圈 | O-RING | 1 | 1 | 1 | 1 | 1 | 1 |
| 17 | 301.17-17 | 滤油器 | PUMP FILTER | 1 | 1 | 1 | 1 | 1 | 1 |
| 18 | 301.17-18 | 密封垫 | OIL PROTECTING GASKET | 1 | 1 | 1 | 1 | 1 | 1 |
| 19 | 301.17-20 | 螺钉 | SCREW | (2) | (2) | (2) | (2) | (2) | (2) |
| 20 | 301.17-21 | 螺钉 | SCREW | (2) | (2) | (2) | (2) | (2) | (2) |
| 21 | 301.17-22 | 螺钉 | SCREW M4X12 | 3 | 3 | 3 | 3 | 3 | 3 |
| 22 | 301.17-23 | 油盘螺钉 | OIL PAN SCREW SM3/8"X28 | 1 | 1 | 1 | 1 | 1 | 1 |
| 23 | 301.17-24 | 螺钉 | SCREW M5X12 | 2 | 2 | 2 | 2 | 2 | 2 |
| 24 | 301.17-25 | 螺钉 | SCREW | (2) | (2) | (2) | (2) | (2) | (2) |
| 25 | 301.17-26 | 螺钉 | SCREW M8X20 | 5 | 5 | 5 | 5 | 5 | 5 |
| 26 | 301.17-27 | 商标 | BRAND | 1 | 1 | 1 | 1 | 1 | 1 |

18. 机针冷却器部件 NEEDLE COOLING MECHANISM COMPONENTS



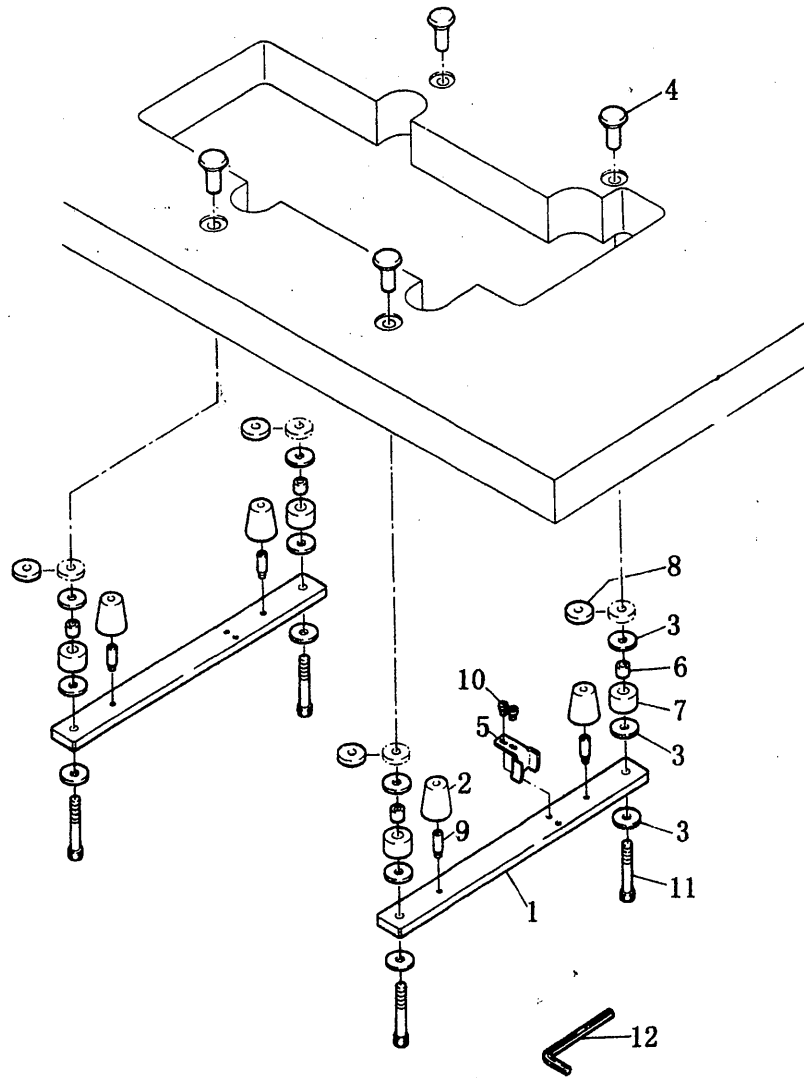
| 十八、机针冷却器部件 NEEDLE COOLING MECHANISM COMPONENTS | | | | | | | | | |
|--|-----------|-------|------------------------------|-----|-----|-----|-----|-----|-------|
| 序号 | 图号 | 名称 | DESIGNATION | -01 | -02 | -03 | -04 | -05 | -02HY |
| 1 | 301.18-01 | 垫圈 | WASHER | 1 | 1 | 1 | | 1 | 1 |
| 2 | 301.18-02 | 硅油贮盒盖 | SILICONE OIL RESERVOIR COVER | 1 | 1 | 1 | | 1 | 1 |
| 3 | 301.18-03 | 硅油贮盒 | SILICONE OIL RESERVOIR | 1 | 1 | 1 | | 1 | 1 |
| 4 | 301.18-04 | 硅油盒油毡 | SILICONE OIL RESERVOIR FELT | 1 | 1 | 1 | | 1 | 1 |
| 5 | 301.18-05 | 硅油盒壳体 | SILICONE OIL RESERVOIR BADCY | 1 | 1 | 1 | | 1 | 1 |
| 6 | 301.18-06 | 硅油输油管 | SILICONE OIL EFFERENT | 1 | 1 | 1 | | 1 | 1 |
| 7 | 301.18-07 | 大头针 | PIN | 1 | 1 | 1 | | 1 | 1 |
| 8 | 301.18-08 | 上硅油毡 | SILICONE OIL FELT (UPPER) | 1 | 1 | 1 | 1 | 1 | 1 |
| 9 | 301.18-09 | 上硅油盖 | SILICONE OIL COVER (UPPER) | 1 | 1 | 1 | 1 | 1 | 1 |
| 10 | 301.18-10 | 上硅油盒 | SILICONE OIL CASE (UPPER) | 1 | 1 | 1 | 1 | 1 | 1 |
| 11 | 301.18-11 | 开口弹簧销 | ELASTIC PIN | 2 | 2 | 2 | 2 | 2 | 2 |
| 12 | 301.18-12 | 油线压板 | OIL WICK PRESS PLATE | 1 | 1 | 1 | | 1 | 1 |
| 13 | 301.18-13 | 油线 | OIL WICK | 2 | 2 | 2 | | 2 | 2 |
| 14 | 301.18-14 | 弹簧管夹头 | SPRING TUBE COLLET | 2 | 2 | 2 | | 2 | 2 |
| 15 | 301.18-15 | 螺钉 | SCREW M4X10 | 1 | 1 | 1 | | 1 | 1 |
| 16 | 301.18-16 | 螺钉 | SCREW M4X6 | 1 | 1 | 1 | | 1 | 1 |
| 17 | 301.18-17 | 螺钉 | SCREW M3X6 | 2 | 2 | 2 | | 2 | 2 |
| 18 | 301.18-18 | 螺钉 | SCREW SM9/64"X40X5 | 2 | 2 | 2 | 2 | 2 | 2 |

19. 线架部件 THREAD STAND COMPONENTS



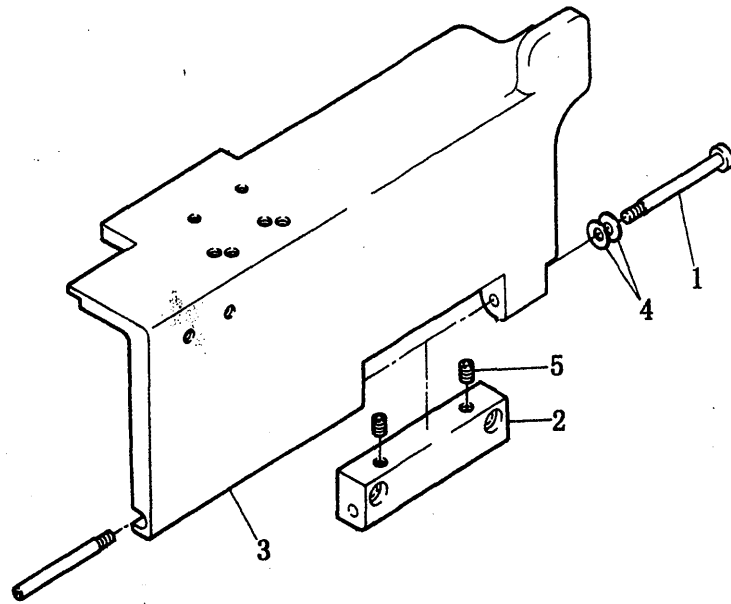
| 十九、线架部件 THREAD STAND COMPONENTS | | | | | | | | | |
|---------------------------------|-----------|------|------------------------|-----|-----|-----|-----|-----|------|
| 序号 | 图号 | 名称 | DESIGNATION | -01 | -02 | -03 | -04 | -05 | -021 |
| 1 | 301.19-01 | 线架组件 | THREAD STAND COMPLETE. | 1 | 1 | 1 | 1 | 1 | 2 |
| | | | | | | | | | |
| | | | | | | | | | |
| | | | | | | | | | |

20. 附件 ACCESSORIES PARTS



| 二十、附件 ACCESSORIES PARTS | | | | | | | | | |
|-------------------------|-----------|------|-----------------------|-----|-----|-----|-----|-----|------|
| 序号 | 图号 | 名称 | DESIGNATION | -01 | -02 | -03 | -04 | -05 | -02H |
| 1 | 301.20-01 | 承重板 | BEARING PLATE | 2 | 2 | 2 | 2 | 2 | 2 |
| 2 | 301.20-02 | 胶垫 | SPACE RING | 4 | 4 | 4 | 4 | 4 | 4 |
| 3 | 301.20-03 | 垫片 | WASHER | 12 | 12 | 12 | 12 | 12 | 12 |
| 4 | 301.20-04 | 螺钉 | SCREW M8 | 4 | 4 | 4 | 4 | 4 | 4 |
| 5 | 301.20-05 | 护板 | PROTECT PLATE | 1 | 1 | 1 | 1 | 1 | 1 |
| 6 | 301.20-06 | 胶垫骨架 | SPACE RING FRAME WORK | 4 | 4 | 4 | 4 | 4 | 4 |
| 7 | 301.20-07 | 胶垫 | SPACE RING | 4 | 4 | 4 | 4 | 4 | 4 |
| 8 | 301.20-08 | 塑料垫圈 | PLASTIC WASHER | 4 | 4 | 4 | 4 | 4 | 4 |
| 9 | 301.20-09 | 螺钉 | SCREW SM3/16X32 | 4 | 4 | 4 | 4 | 4 | 4 |
| 10 | 301.20-10 | 螺钉 | SCREW M5X8 | 2 | 2 | 2 | 2 | 2 | 2 |
| 11 | 301.20-11 | 长螺钉 | LONG SCREW M8X55 | 4 | 4 | 4 | 4 | 4 | 4 |
| 12 | 301.20-12 | 内六角 | WITHIN SIX FORELAND | 1套 | 1套 | 1套 | 1套 | 1套 | 1套 |

21. 导布部件 FABRIC GUIDE COMPONENTS

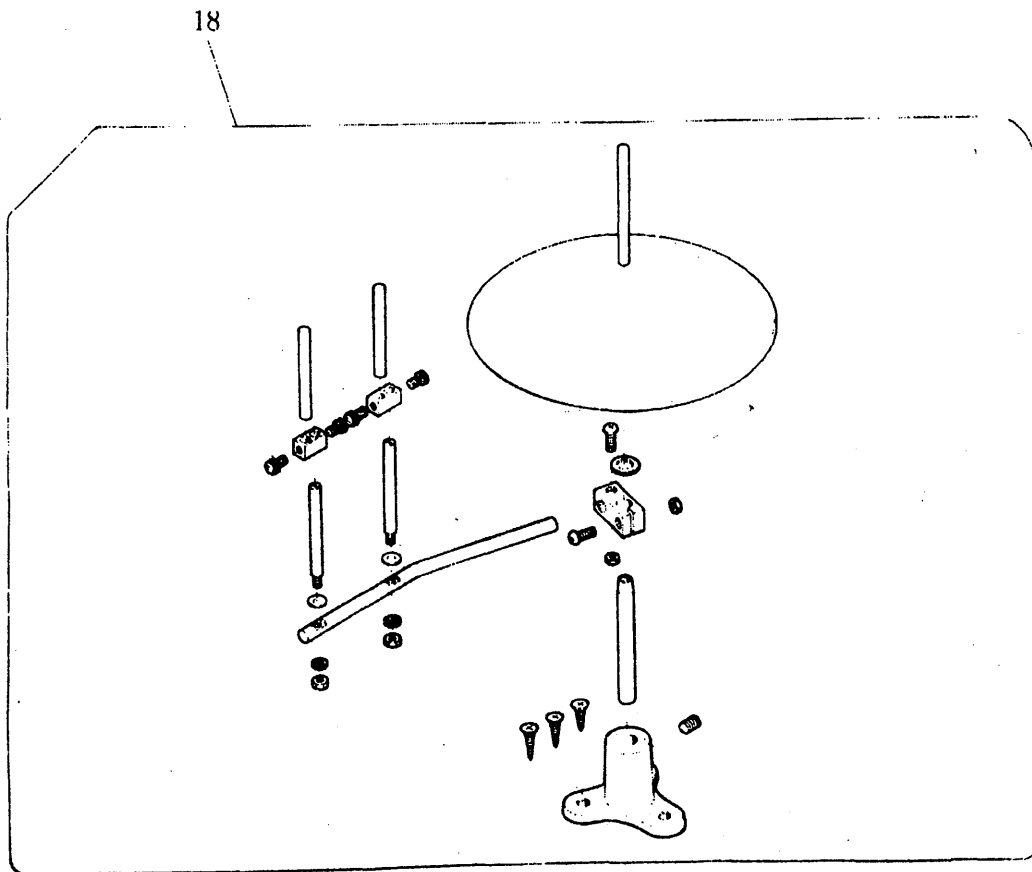
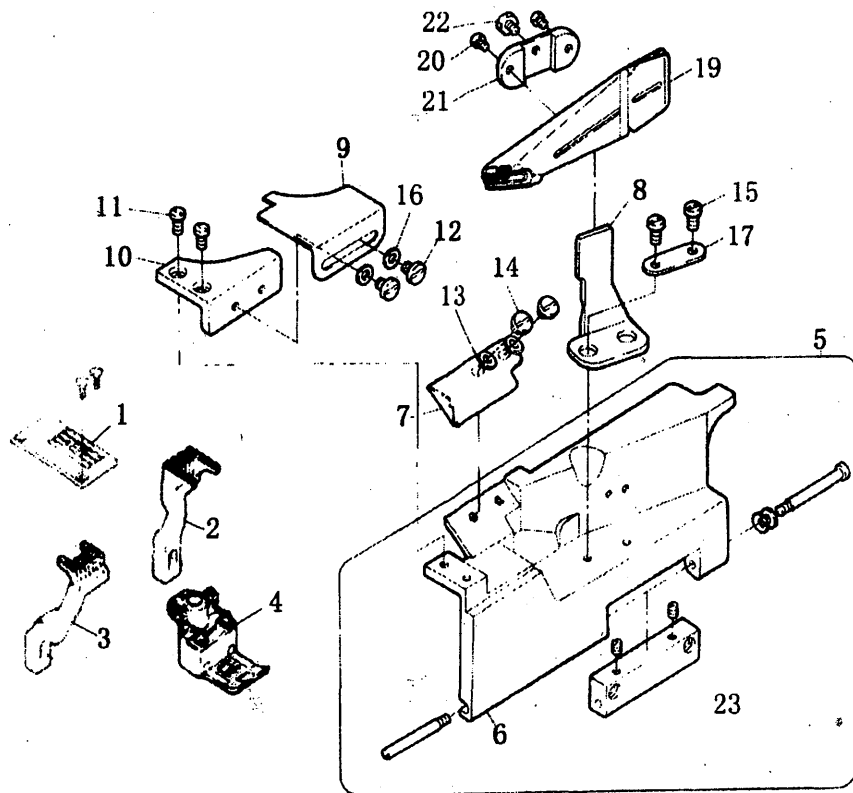


二十一、导布部件 FABRIC GUIDE COMPONENTS

| 序号 | 图号 | 名 称 | DESIGNATION | -01 | -02 | -03 | -04 | -05 | -02H |
|----|-----------|-------------------------------|-------------------------|-----|-----|-----|-----|-----|------|
| 1 | 301.21-02 | 长螺钉 | LONG SCREW M4 | 1 | 1 | 1 | 1 | 1 | 1 |
| 2 | 301.21-03 | 穿线链 | HINGE THREAD GUIDE LATH | 1 | | 1 | 1 | 1 | |
| 3 | 301.21-04 | 穿线罩板 | THREAD GUIDE PLATE | 1 | | 1 | | | |
| 4 | 301.21-05 | 鞍形垫圈 $\phi 5/\phi 9-0.3/0.82$ | WAVE WASHER | 2 | 2 | 2 | 2 | 2 | 2 |
| 5 | 301.21-06 | 螺钉 | SCREW M5X6 | 2 | 2 | 2 | 2 | 2 | 2 |

23. 专用部件 SPECIFIC PARTS

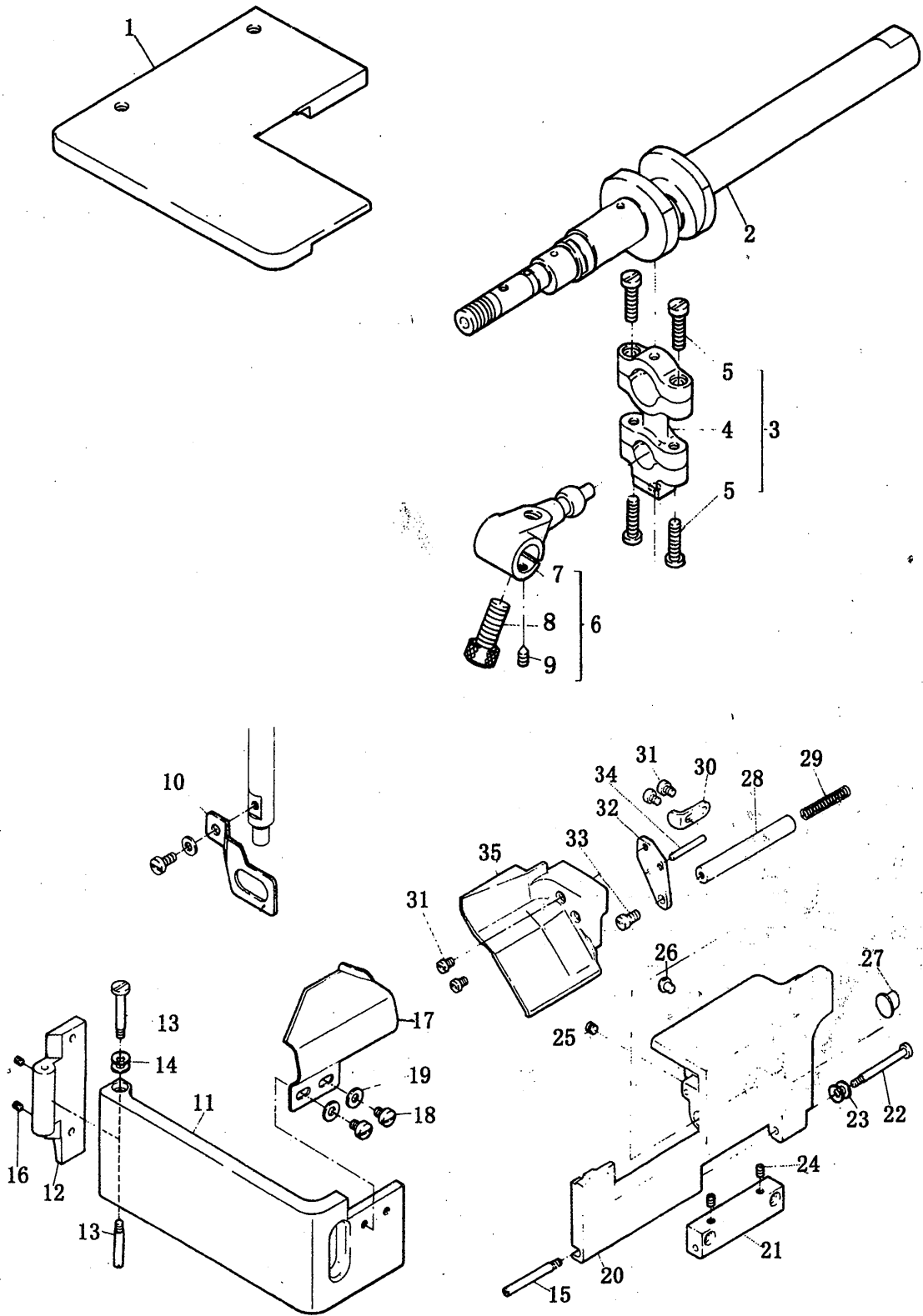
500B-02



| 二十三、专用部件 SPECIFIC PARTS | | | | | | | | | |
|-------------------------|-----------|---------------|--|-----|-----|-----|-----|-----|------|
| 序号 | 图号 | 名称 | DESIGNATION | -01 | -02 | -03 | -04 | -05 | 02HY |
| 1 | 302.06-01 | 针板 | NEEDLE PLATE | | 1 | | | | 1 |
| 2 | 302.09-01 | 主送布牙 | MAIN FEED DOG | | 1 | | | | 1 |
| 3 | 302.09-02 | 差动送布牙 | DIFFERENTIAL FEED DOG | | 1 | | | | 1 |
| 4 | 302.11-00 | 压脚组件 | PRESSER FOOT COMPLETE. | | 1 | | | | |
| 5 | 302.23-00 | 穿线罩板组件 | THREAD GUIDE PLATE COVER COMPLETE | | 1 | | | | 1 |
| 6 | 302.23-01 | 穿线罩板 | THREAD GUIDE PLATE COVER | | 1 | | | | 1 |
| 7 | 302.23-02 | 穿线罩板滚条护板(右) | PROTECT PLATE(RIGHT) | | 1 | | | | 1 |
| 8 | 302.23-03 | 穿线罩板滚条挡板 | BIBCOCK INSTALLATION BRACKET | | 1 | | | | 1 |
| 9 | 302.23-04 | 穿线罩板滚条护板(左) | PROTECT PLATE(LEFT) | | 1 | | | | 1 |
| 10 | 302.23-05 | 穿线罩挡线压板 | KEEP OFF THREAD PRESS PLATE | | 1 | | | | 1 |
| 11 | 301.03-15 | 穿线罩挡线压板螺钉 | KEEP OFF THREAD PRESS PLATE SCREW M4x8 | | 2 | | | | 2 |
| 12 | 302.23-06 | 穿线罩板护板(左)螺钉 | PROTECT PLATE(LEFT) SCREW M5x6. | | 2 | | | | 2 |
| 13 | 301.02-02 | 垫片 | WASHER | | 2 | | | | 2 |
| 14 | 301.15-28 | 穿线罩板滚条护板(右)螺钉 | PROTECT PLATE(RIGHT) SCREW M4x6 | | 2 | | | | 2 |
| 15 | 301.02-26 | 穿线罩板滚条挡板螺钉 | BIBCOCK INSTALLATION BRACKET SCREW M6x10 | | 2 | | | | 2 |
| 16 | 301.12-12 | 垫片 | WASHER | | 2 | | | | 2 |
| 17 | 302.23-12 | 垫片 | BIBCOCK INSTALLATION BRACKET WASHER | | 1 | | | | 1 |
| 18 | 302.23-07 | 线架组件 | THREAD STAND COMPLETE | | 1 | | | | 1 |
| 19 | 302.23-08 | 龙头组件(夹边器组件) | BIBCOCK COMPLETE | | 1 | | | | 1 |
| 20 | 302.23-14 | 夹线器固定板螺钉 | BIBCOCK FIXING PLATE SCREW M3.5x5 | | 2 | | | | 2 |
| 21 | 302.23-09 | 夹线器固定板 | BIBCOCK FIXING PLATE | | 1 | | | | 1 |
| 22 | 302.23-10 | 螺钉 | SCREW M5x12 | | 1 | | | | 1 |
| 23 | 302.23-11 | 穿线链 | HINGE THREAD GUIDE LATH | | 1 | | | | 1 |

24. 专用部件 (1) SPECIFIC PARTS (ONE)

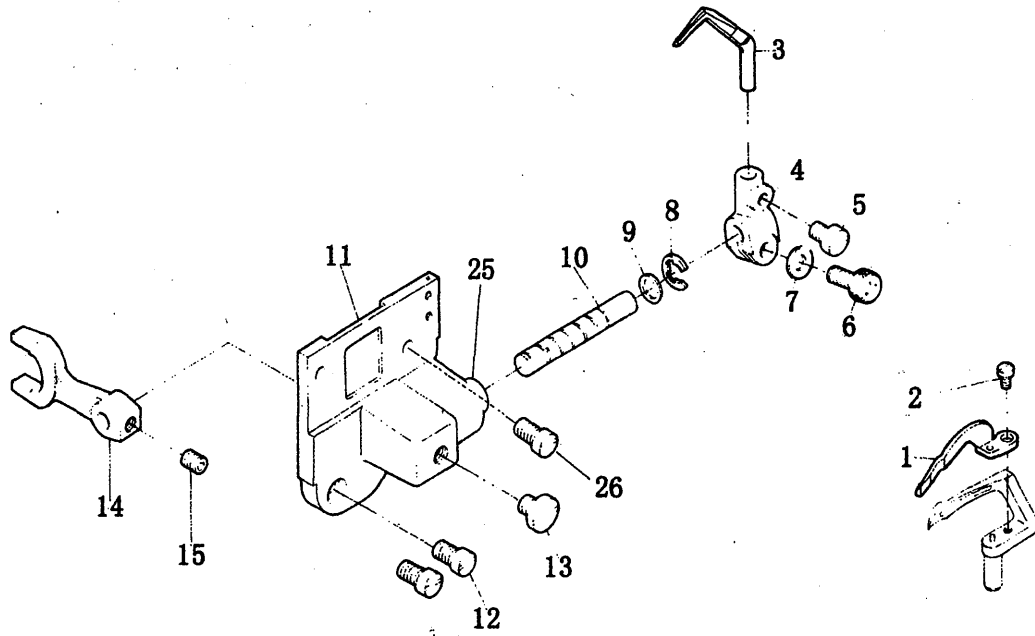
500B-05



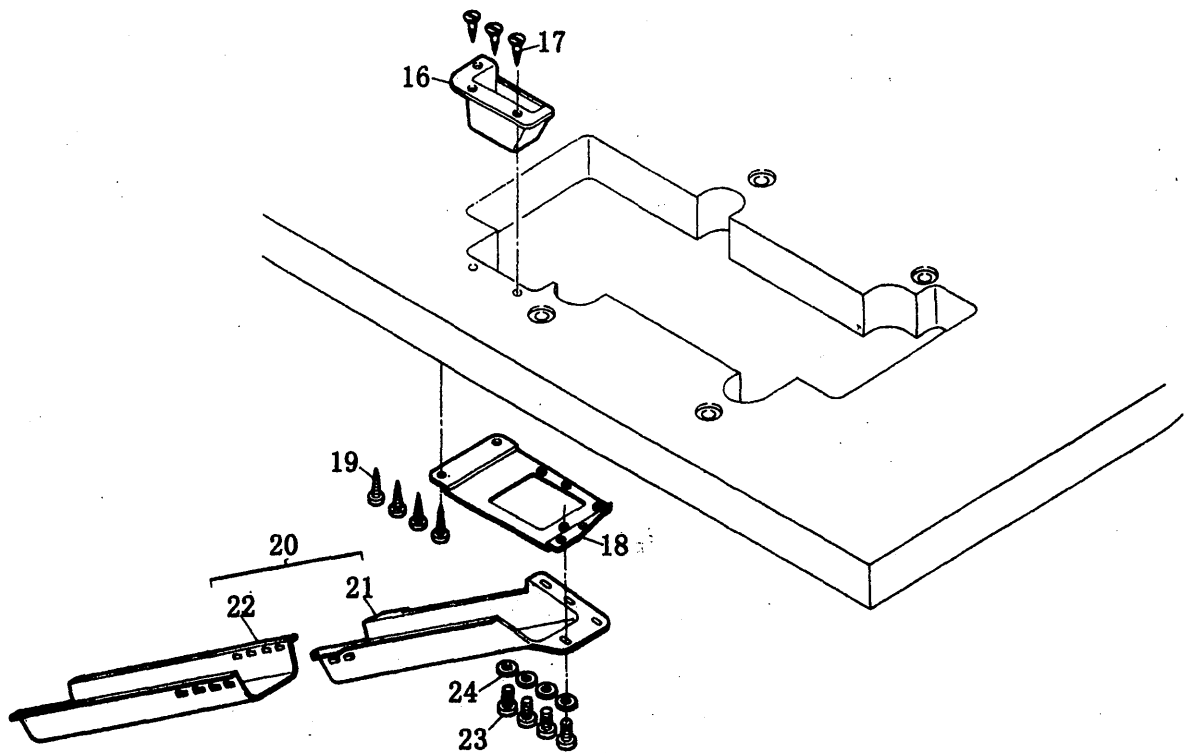
| 二十四、专用部件 (1) SPECIFIC PARTS (ONE) | | | | | | | | | | |
|-----------------------------------|-------------|--------|----------------------------|-----|-----|-----|-----|-----|------|--|
| 序号 | 图号 | 名称 | DESIGNATION | -01 | -02 | -03 | -04 | -05 | 02HY | |
| 1 | 311.24-01 | 缝台上盖 | SEWING PLATE UPER COVER | | | | | 1 | | |
| 2 | 311.24-02 | 下轴前节 | LOWER SHAFT FOREPART | | | | | 1 | | |
| 3 | 311.24-03 | 连杆组件 | LOOPER LEVER COMPLETE ASM. | | | | | 1 | | |
| 4 | 311.24-03-1 | 连杆 | LOOPER LEVER COMPLETE | | | | | 1 | | |
| 5 | 311.24-03-2 | 螺钉 | SCREW | | | | | 4 | | |
| 6 | 311.24-04 | 曲柄组件 | LOOPER BALL CRANK ASM. | | | | | 1 | | |
| 7 | 311.24-04-1 | 曲柄 | LOOPER BALL CRANK | | | | | 1 | | |
| 8 | 311.24-04-2 | 螺钉 | SCREW M6X14 | | | | | 1 | | |
| 9 | 311.24-04-3 | 螺钉 | SCREW GB78-85 M3X4 | | | | | 1 | | |
| 10 | 311.24-05 | 护指架 | PRESSER BAR SHIELD | | | | 1 | 1 | | |
| 11 | 311.24-06 | 左侧盖 | FRONTAL MANTLE | | | | | 1 | | |
| 12 | 311.24-07 | 铰链 | HINGE BOARD | | | | | 1 | | |
| 13 | 311.24-08 | 螺钉 | HINGE LINK SCREW | | | | | 1 | | |
| 14 | 311.24-09 | 弹簧垫片 | SPRING WASHER | | | | | 2 | | |
| 15 | 311.24-10 | 螺钉 | HINGE SCREW | | | | | 1 | | |
| 16 | 311.24-11 | 螺钉 | SCREW GB80-85 M3X4 | | | | | 2 | | |
| 17 | 311.24-12 | 护料板 | PROTECT BAT | | | | | 1 | | |
| 18 | 311.24-13 | 螺钉 | SCREW M5X6 | | | | | 2 | | |
| 19 | 311.24-14 | 垫圈 | WASHER | | | | | 2 | | |
| 20 | 311.24-15 | 前盖 | FRONTAL MANTLE | | | | | 1 | | |
| 21 | 311.24-16 | 铰链 | HINGE THREAD GUIDE LATH | | | | | 1 | | |
| 22 | 311.24-17 | 螺钉 | LONG SCREW | | | | | 1 | | |
| 23 | 311.24-18 | 弹簧垫片 | WAVE WASHER | | | | | 2 | | |
| 24 | 311.24-20 | 螺钉 | SCREW GB80-85 M5X6 | | | | | 2 | | |
| 25 | 311.24-21 | 螺钉 | SCREW GB80-85 M5X5 | | | | | 1 | | |
| 26 | 311.24-22 | 孔塞 | SHOCKPROOF PLUG | | | | | 1 | | |
| 27 | 311.24-23 | 塞 | PLUG | | | | | 1 | | |
| 28 | 311.24-24 | 轴 | SHAFT | | | | | 1 | | |
| 29 | 311.24-25 | 弹簧 | SPRING | | | | | 1 | | |
| 30 | 311.24-26 | 止动片 | STOP STIR PIECE | | | | | 1 | | |
| 31 | 311.24-27 | 螺钉 | SCREW GB818-85 M4X6 | | | | | 4 | | |
| 32 | 311.24-28 | 支架 | BAR ROCK SHAFT | | | | | 1 | | |
| 33 | 311.24-29 | 螺钉 | SCREW M5X10 | | | | | 1 | | |
| 34 | 311.24-30 | 销 | PIN | | | | | 1 | | |
| 35 | 311.24-31 | 前盖 (小) | FRONTAL MANTLE (SMALL) | | | | | 1 | | |

25. 专用部件 (2) SPECIFIC PARTS (TWO)

500B-05



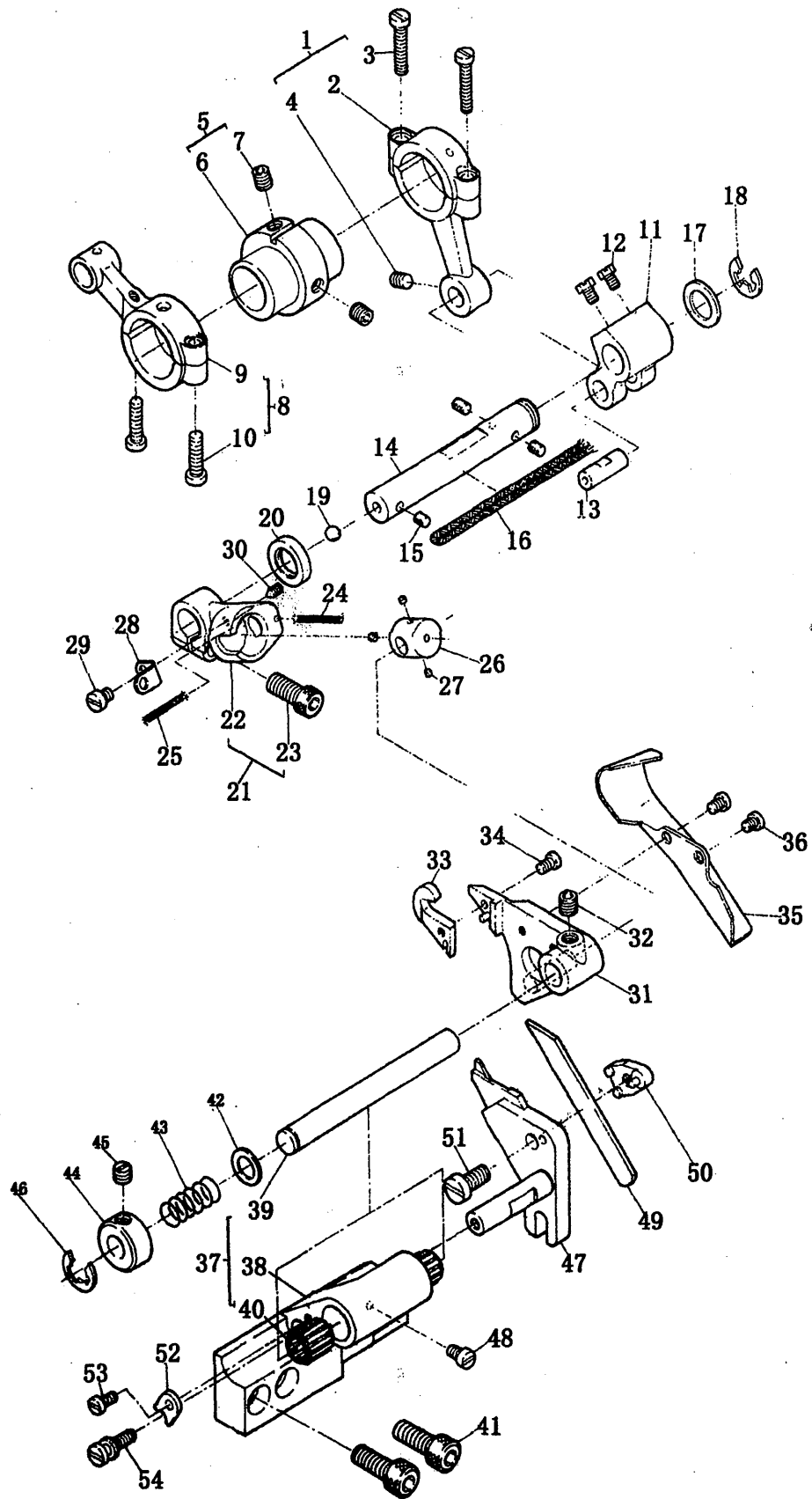
500B-05



| 二十五、专用部件 (2) SPECIFIC PARTS (TWO) | | | | | | | | | |
|-----------------------------------|-------------|--------|----------------------|-----|-----|-----|-----|-----|------|
| 序号 | 图号 | 名称 | DESIGNATION | -01 | -02 | -03 | -04 | -05 | 02HY |
| 1 | 311.25-01 | 护针 (前) | FRONT NEEDLE GUARD | | | | | 1 | |
| 2 | 311.25-02 | 螺钉 | SCREW GB65-85 M2.5X4 | | | | | 1 | |
| 3 | 311.25-03 | 护针 (后) | REAR NEEDLE GUARD | | | | | 1 | |
| 4 | 311.25-04 | 杠杆 | HAND LIFTER LINK | | | | | 1 | |
| 5 | 311.25-05 | 螺钉 | SCREW GB818-85 M4X8 | | | | | 1 | |
| 6 | 311.25-06 | 螺钉 | SCREW GB70-85 M5X10 | | | | | 1 | |
| 7 | 311.25-07 | 弹簧垫片 | WASHER | | | | | 1 | |
| 8 | 311.25-08 | 卡簧 | RETAINING RING | | | | | 1 | |
| 9 | 311.25-09 | 垫圈 | WASHER | | | | | 1 | |
| 10 | 311.25-10 | 轴 | SHAFT | | | | | 1 | |
| 11 | 311.25-11 | 支架 | BAR ROCK SHAFT | | | | | 1 | |
| 12 | 311.25-12 | 螺钉 | SCREW GB818-85 M4X8 | | | | | 2 | |
| 13 | 311.25-13 | 螺钉 | SCREW | | | | | 1 | |
| 14 | 311.25-14 | 杠杆 | HAND LIFTER LINK | | | | | 1 | |
| 15 | 311.25-15 | 螺钉 | SCREW GB80-85 M5X5 | | | | | 1 | |
| 16 | 311.25-16 | 废屑槽 | FILLER CHUTE | | | | | 1 | |
| 17 | 311.25-17 | 螺钉 | SCREW | | | | | 3 | |
| 18 | 311.25-18 | 支架 | BAR ROCK SHAFT | | | | | 1 | |
| 19 | 311.25-19 | 螺钉 | SCREW | | | | | 4 | |
| 20 | 311.25-20 | 废屑流槽装置 | FILLER CHUTE ASM. | | | | | 1 | |
| 21 | 311.25-20-1 | 废屑流槽 | FILLER CHUTE (UPPER) | | | | | 1 | |
| 22 | 311.25-20-2 | 废屑流槽 | FILLER CHUTE (LOWER) | | | | | 1 | |
| 23 | 311.25-21 | 螺钉 | SCREW M4X12 | | | | | 1 | |
| 24 | 311.25-22 | 垫圈 | WASHER | | | | | 1 | |
| 25 | 311.25-23 | 铜套 | COPPER BUSHING | | | | | 1 | |
| 26 | 311.25-26 | 螺钉 | SCREW | | | | | 1 | |

26. 专用部件 (3) SPECIFIC PARTS (THREE)

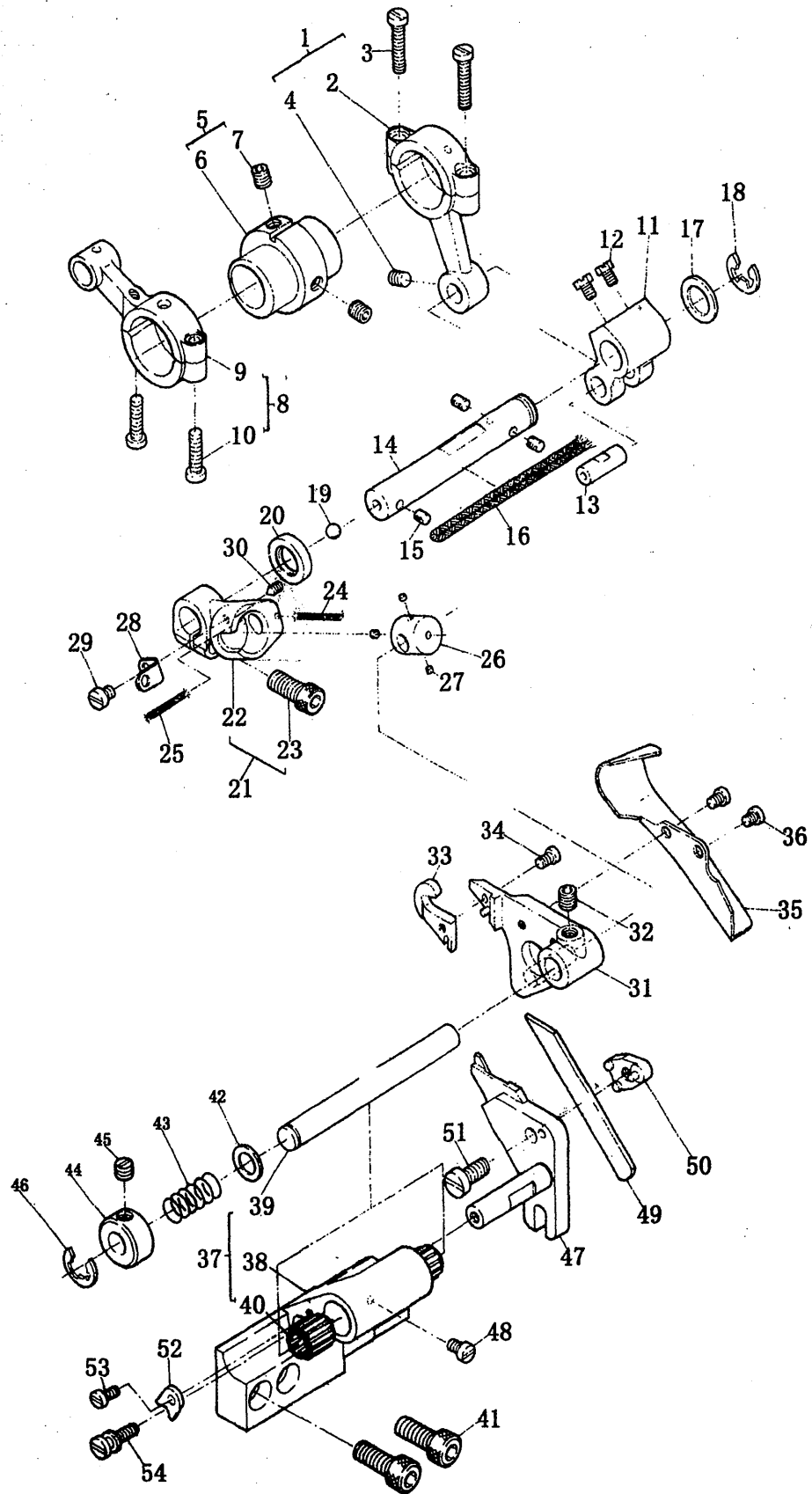
500B-05



| 二十六、专用部件 (3) SPECIFIC PARTS (THREE) | | | | | | | | | |
|-------------------------------------|-------------|--------|--------------------------|-----|-----|-----|-----|-----|------|
| 序号 | 图号 | 名称 | DESIGNATION | -01 | -02 | -03 | -04 | -05 | 02HY |
| 1 | 311.26-01 | 连杆组件 | CONNECTING ROD ASM. | | | | | 1 | |
| 2 | 311.26-01-1 | 连杆 | CONNECTING ROD | | | | | 1 | |
| 3 | 311.26-01-2 | 螺钉 | SCREW | | | | | 2 | |
| 4 | 311.26-01-3 | 螺钉 | SCREW GB80-85 M4X4 | | | | | 1 | |
| 5 | 311.26-02 | 偏心轮组件 | ECCENTRIC CAM ASM. | | | | | 1 | |
| 6 | 311.26-02-1 | 偏心轮 | ECCENTRIC CAM | | | | | 1 | |
| 7 | 311.26-02-2 | 螺钉 | SCREW GB80-85 M5X6 | | | | | 2 | |
| 8 | 311.26-03 | 连杆组件 | LOOPER LINK LEVER ASM. | | | | | 1 | |
| 9 | 311.26-03-1 | 连杆 | LOOPER LINK LEVER | | | | | 1 | |
| 10 | 311.26-03-2 | 螺钉 | SCREW | | | | | 2 | |
| 11 | 311.26-04 | 曲柄 | NEEDLE GUARD CRANK | | | | | 1 | |
| 12 | 311.26-05 | 螺钉 | SCREW SM11/64"X40X6 | | | | | 2 | |
| 13 | 311.26-06 | 销 | PIN | | | | | 1 | |
| 14 | 311.26-07 | 轴 | SHAFT | | | | | 1 | |
| 15 | 311.26-08 | 毛毡 | FELT | | | | | 3 | |
| 16 | 311.26-09 | 油线 | OIL WICK | | | | | 1 | |
| 17 | 311.26-10 | 垫圈 | WASHER | | | | | 1 | |
| 18 | 311.26-11 | 卡簧 | SNAP THRUST RING | | | | | 1 | |
| 19 | 311.26-12 | 塞头 | PLUG | | | | | 1 | |
| 20 | 311.26-13 | 油封 | OIL SEAL | | | | | 1 | |
| 21 | 311.26-14 | 杠杆组件 | HAND LIFTER LINK ASM. | | | | | 1 | |
| 22 | 311.26-14-1 | 杠杆 | HAND LIFTER LINK | | | | | 1 | |
| 23 | 311.26-14-2 | 螺钉 | SCREW GB70-85 M5X15 | | | | | 1 | |
| 24 | 311.26-15 | 油线 | OIL WICK | | | | | 1 | |
| 25 | 311.26-16 | 油线 | OIL WICK | | | | | 1 | |
| 26 | 311.26-17 | 滑块 | SLIDE BLOCK | | | | | 1 | |
| 27 | 311.26-18 | 毛毡 | FELT | | | | | 3 | |
| 28 | 311.26-19 | 销门 | PIN | | | | | 1 | |
| 29 | 311.26-20 | 螺钉 | SCREW GB65-85 M3X5 | | | | | 1 | |
| 30 | 311.26-21 | 螺钉 | SCREW GB78-85 M3X4 | | | | | 1 | |
| 31 | 311.26-22 | 上切刀架组件 | UPPER KNIFE BRACKET ASM. | | | | | 1 | |
| 32 | 311.26-23 | 螺钉 | SCREW GB80-85 M6X0.75X5 | | | | | 1 | |
| 33 | 311.26-24 | 上切刀 | UPPER KNIFE BRACKET | | | | | 1 | |
| 34 | 311.26-25 | 螺钉 | SCREW SM1/8x44-5.5 | | | | | 1 | |
| 35 | 311.26-26 | 挡屑罩 | WARD OFF SCRAPS COVER | | | | | 1 | |
| 36 | 311.26-27 | 螺钉 | SCREW M3 | | | | | 2 | |
| 37 | 311.26-28 | 支架组件 | BAR ROCK SHAFT ASM. | | | | | 1 | |
| 38 | 311.26-28-1 | 支架 | BAR ROCK SHAFT | | | | | 1 | |
| 39 | 311.26-28-2 | 轴 | SHAFT | | | | | 1 | |
| 40 | 311.26-28-3 | 滚针轴承 | NEEDLE BEARING | | | | | 2 | |
| 41 | 311.26-29 | 螺钉 | SCREW M6X14 | | | | | 2 | |

26. 专用部件 (3) SPECIFIC PARTS (THREE)

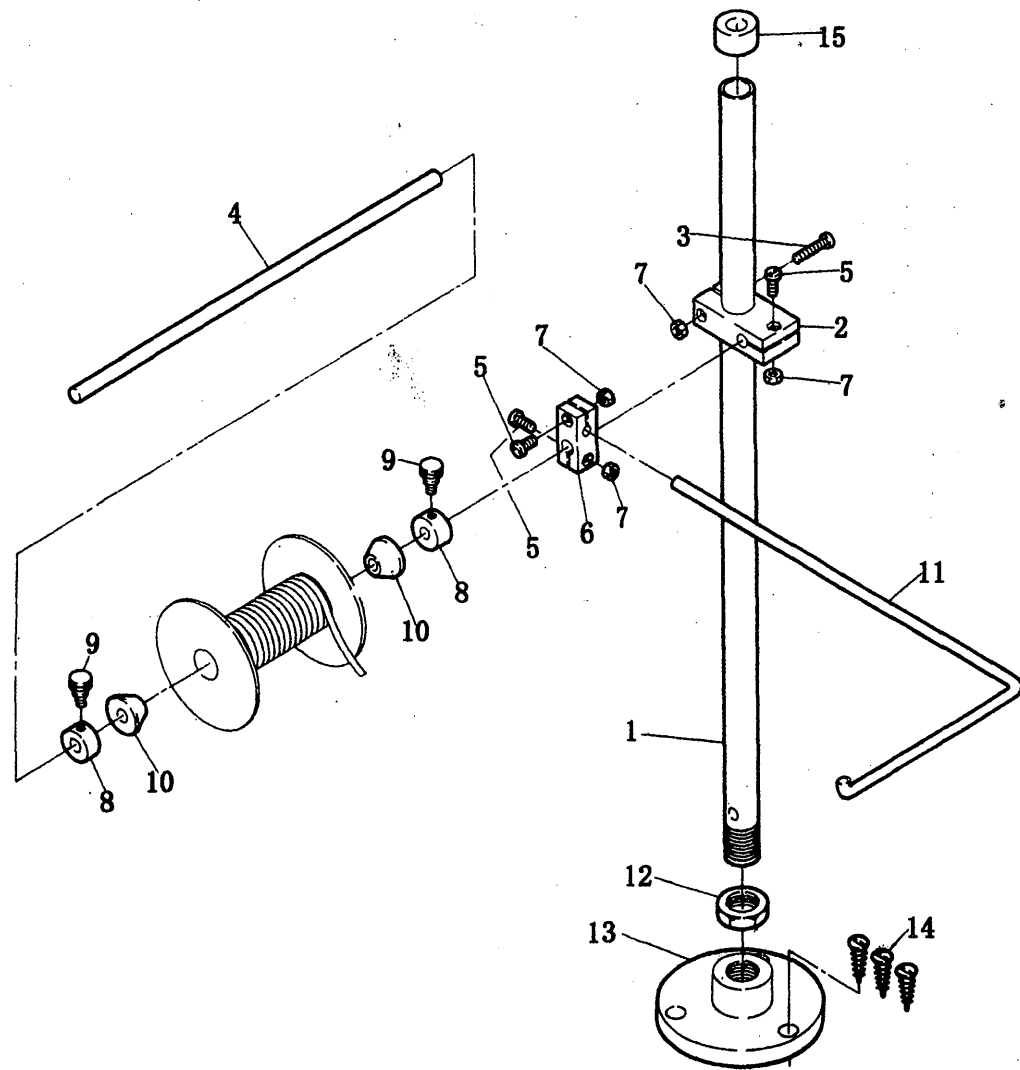
500B-05



| 二十六、专用部件 (3) SPECIFIC PARTS (THREE) | | | | | | | | | |
|-------------------------------------|-----------|------|----------------------|-----|-----|-----|-----|-----|------|
| 序号 | 图号 | 名称 | DESIGNATION | -01 | -02 | -03 | -04 | -05 | 02HY |
| 42 | 311.26-30 | 垫圈 | WASHER | | | | | 1 | |
| 43 | 311.26-31 | 弹簧 | SPRING | | | | | 1 | |
| 44 | 311.26-32 | 紧圈 | THRUST RING | | | | | 1 | |
| 45 | 311.26-33 | 螺钉 | SCREW SM11/64x40X4 | | | | | 1 | |
| 46 | 311.26-34 | 卡簧 | CLIP SPRING | | | | | 1 | |
| 47 | 311.26-35 | 下切刀架 | KNIFE BOTTOM BRACKET | | | | | 1 | |
| 48 | 311.26-36 | 螺钉 | SCREW M4X6 | | | | | 1 | |
| 49 | 311.26-37 | 下刀片 | KNIFE BOTTOM | | | | | 1 | |
| 50 | 311.26-38 | 下刀夹 | KNIFE BOTTOM | | | | | 1 | |
| 51 | 311.26-39 | 螺钉 | SCREW M5X10 | | | | | 1 | |
| 52 | 311.26-40 | 导向器 | LEAD FAVER WARE | | | | | 1 | |
| 53 | 311.26-41 | 螺钉 | SCREW GB65-85 M3X6 | | | | | 1 | |
| 54 | 311.26-42 | 螺钉 | SCREW | | | | | 1 | |

28. 专用部件 (4) SPECIFIC PARTS (FOUR)

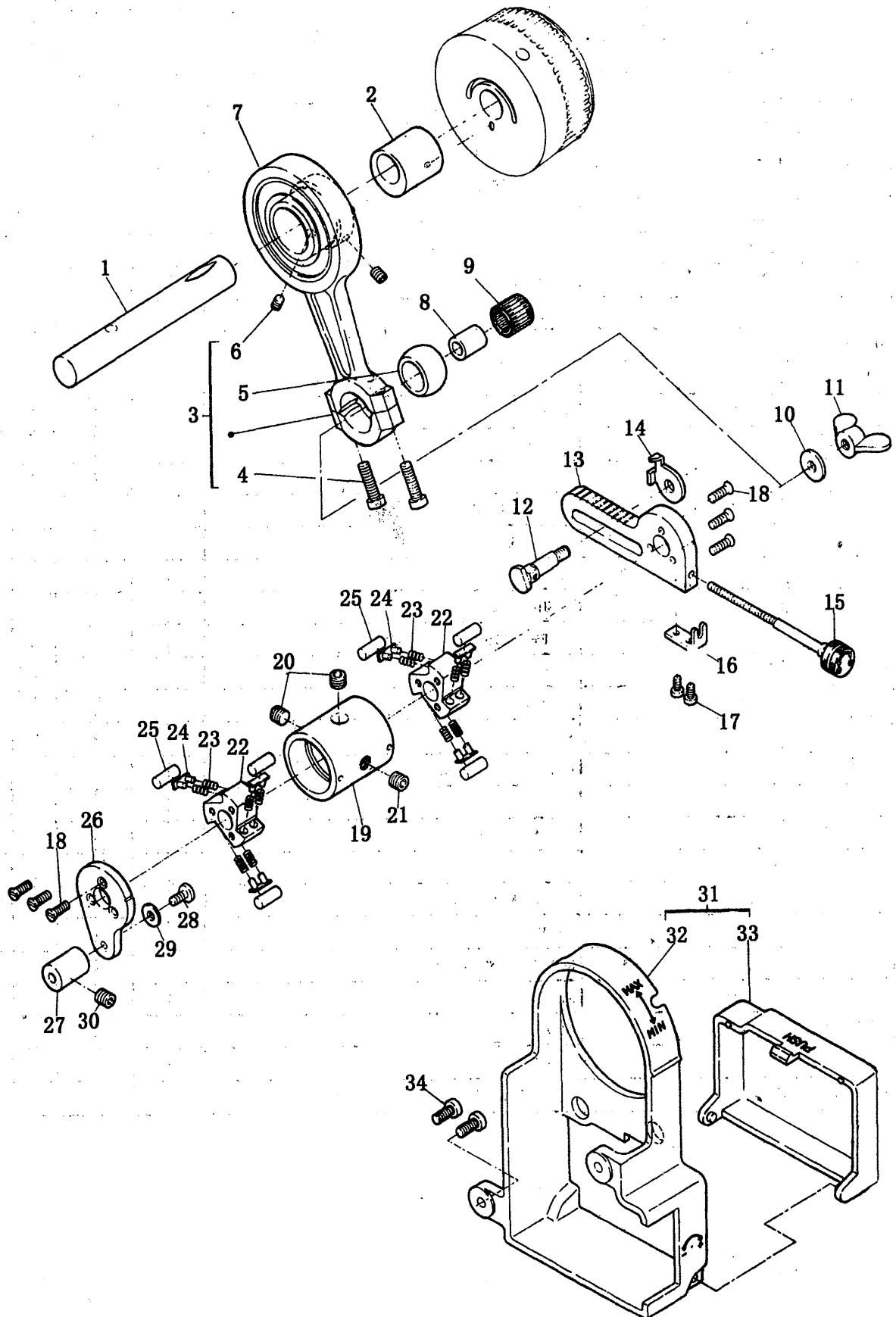
500B-05



| 二十八、专用部件 (4) SPECIFIC PARTS (FOUR) | | | | | | | | | |
|------------------------------------|-----------|------|---------------------|-----|-----|-----|-----|-----|------|
| 序号 | 图号 | 名称 | DESIGNATION | -01 | -02 | -03 | -04 | -05 | 02HY |
| 1 | 311.28-01 | 杆 | HAND LIFTER LINK | | | | 1 | 1 | |
| 2 | 311.28-02 | 支架 | BAR ROCK SHAFT | | | | 1 | 1 | |
| 3 | 311.28-03 | 螺钉 | SCREW | | | | 1 | 1 | |
| 4 | 311.28-04 | 棒 | STICK | | | | 1 | 1 | |
| 5 | 311.28-05 | 螺钉 | SCREW | | | | 3 | 3 | |
| 6 | 311.28-06 | 固定器 | FIXER | | | | 1 | 1 | |
| 7 | 311.28-08 | 螺母 | NUT M4 | | | | 4 | 4 | |
| 8 | 311.28-09 | 紧圈 | THRUST RING | | | | 2 | 2 | |
| 9 | 311.28-10 | 螺钉 | SCREW SM9/64x40 | | | | 2 | 2 | |
| 10 | 311.28-11 | 卷轴导向 | REEL LEAD FAVOR | | | | 2 | 2 | |
| 11 | 311.28-12 | 辅助杆 | ASSISTANT PERCH | | | | 1 | 1 | |
| 12 | 311.28-15 | 螺母 | NUT | | | | 1 | 1 | |
| 13 | 311.28-16 | 线支架 | LINE BAR ROCK SHAFT | | | | 1 | 1 | |
| 14 | 311.28-17 | 螺钉 | SCREW | | | | 3 | 3 | |
| 15 | 311.28-18 | 塑料帽 | PLASTIC CAP | | | | 1 | 1 | |

29. 专用部件 (5) SPECIFIC PARTS (FIVE)

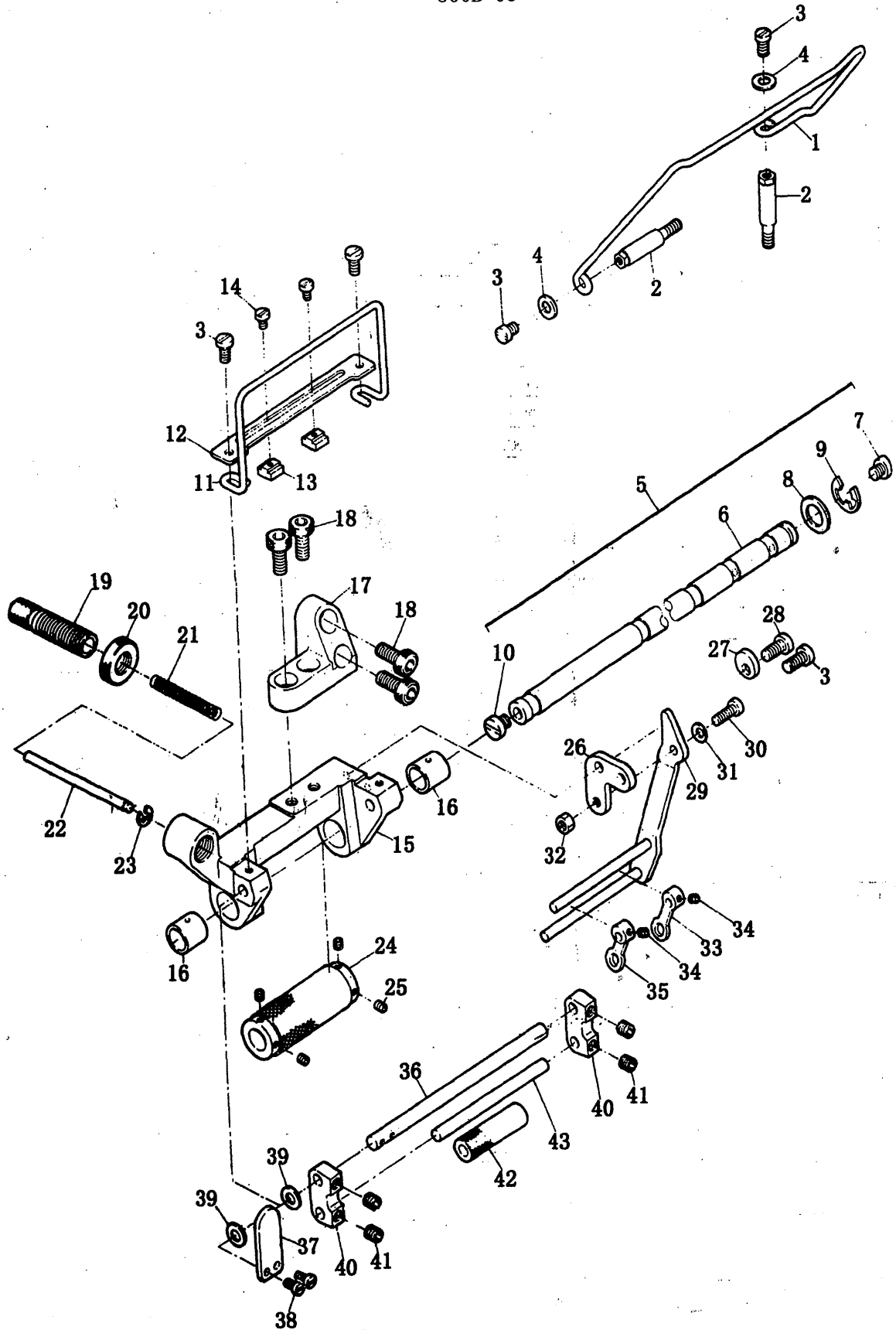
500B-05



| 二十九、专用部件 (6) SPECIFIC PARTS (FIVE) | | | | | | | | | |
|------------------------------------|-------------|--------|-------------------------|-----|-----|-----|-----|-----|------|
| 序号 | 图号 | 名称 | DESIGNATION | -01 | -02 | -03 | -04 | -05 | 02HY |
| 1 | 311.29-01 | 上轴后节 | MAIN SHAFT BACKSIDE | | | | | 1 | |
| 2 | 311.29-02 | 偏心组件 | ECCENTRICITY ASM. | | | | | 1 | |
| 3 | 311.29-03 | 连接组件 | LINK ASM. | | | | | 1 | |
| 4 | 311.29-03-1 | 螺钉 | SCREW | | | | | 2 | |
| 5 | 311.29-03-2 | 球轴 | SPHERE SHAFT | | | | | 1 | |
| 6 | 311.29-03-3 | 螺钉 | SCREW GB80-85 M5X5 | | | | | 2 | |
| 7 | 311.29-03-4 | 轴承 | BEARING | | | | | 1 | |
| 8 | 311.29-04 | 轴套 | BUSHING | | | | | 1 | |
| 9 | 311.29-05 | 滚针轴承 | NEEDLE BEARING | | | | | 1 | |
| 10 | 311.29-06 | 垫圈 | WASHER | | | | | 1 | |
| 11 | 311.29-07 | 螺母 | NUT | | | | | 1 | |
| 12 | 311.29-08 | 销 | PIN | | | | | 1 | |
| 13 | 311.29-09 | 曲柄 | BRACE | | | | | 1 | |
| 14 | 311.29-10 | 显示器 | DISPLAY | | | | | 1 | |
| 15 | 311.29-11 | 螺钉 | SCREW | | | | | 1 | |
| 16 | 311.29-12 | 止动板 | STOP STIR BOARD | | | | | 1 | |
| 17 | 311.29-13 | 螺钉 | SCREW GB65-85 M3X6 | | | | | 2 | |
| 18 | 311.29-14 | 螺钉 | SCREW | | | | | 6 | |
| 19 | 311.29-15 | 轴套 | BUSHING | | | | | 1 | |
| 20 | 311.29-16 | 螺钉 | SCREW GB80-85 M6X0.75X5 | | | | | 2 | |
| 21 | 311.29-17 | 螺钉 | SCREW M6X8 | | | | | 1 | |
| 22 | 311.29-18 | 离合器 | CLUTCH | | | | | 2 | |
| 23 | 311.29-19 | 弹簧 | SPRING | | | | | 12 | |
| 24 | 311.29-20 | 导向板组件 | GUIDE FAVOR BOARD | | | | | 6 | |
| 25 | 311.29-21 | 销 | PIN | | | | | 6 | |
| 26 | 311.29-22 | 止动板 | STOP STIR BOARD | | | | | 1 | |
| 27 | 311.29-24 | 销 | PIN | | | | | 1 | |
| 28 | 311.29-25 | 螺钉 | SCREW SM11/64x40 | | | | | 1 | |
| 29 | 311.29-26 | 垫圈 | WASHER | | | | | 1 | |
| 30 | 311.29-27 | 螺钉 | SCREW GB80-85 M5X5 | | | | | 1 | |
| 31 | 311.29-28 | 盖 (组件) | ABOUT ASM. | | | | | 1 | |
| 32 | 311.29-28-1 | 盖 | ABOUT | | | | | 1 | |
| 33 | 311.29-28-2 | 盖 | ABOUT | | | | | 1 | |
| 34 | 311.29-29 | 螺钉 | SCREW GB818-85 M4X10 | | | | | 2 | |

30. 专用部件 (6) SPECIFIC PARTS (SIX)

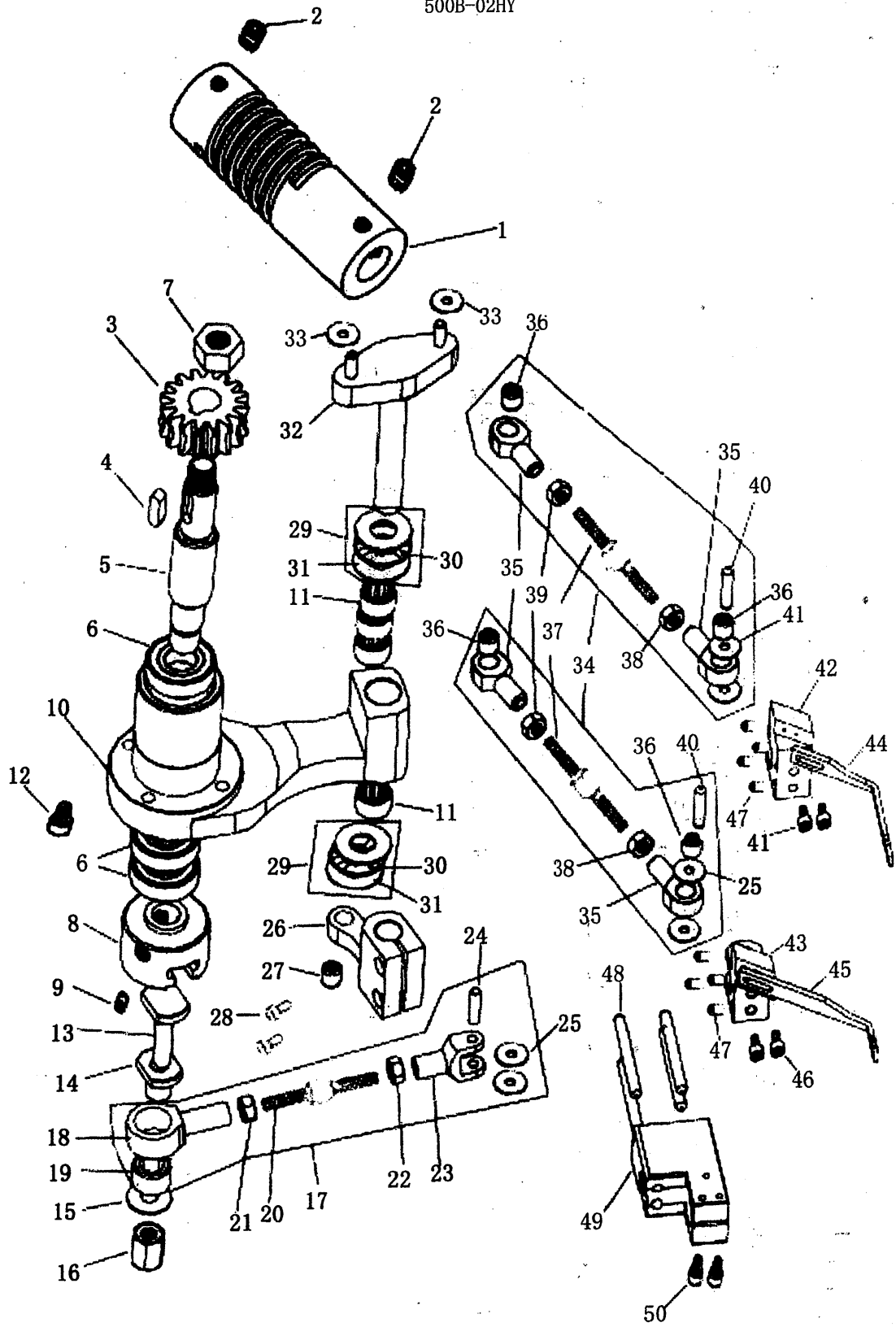
500B-05



| 三十、专用部件 (6) SPECIFIC PARTS (SIX) | | | | | | | | | | |
|----------------------------------|-------------|-------|----------------------|-----|-----|-----|-----|-----|------|--|
| 序号 | 图号 | 名称 | DESIGNATION | -01 | -02 | -03 | -04 | -05 | 02HY | |
| 1 | 311.30-01 | 花边导向器 | LACE LEAD FAVER WARE | | | | 1 | 1 | | |
| 2 | 311.30-02 | 螺钉 | SCREW | | | | 2 | 2 | | |
| 3 | 311.30-03 | 螺钉 | SCREW GB818-85 M4X8 | | | | 5 | 5 | | |
| 4 | 311.30-04 | 垫圈 | WASHER | | | | 2 | 2 | | |
| 5 | 311.30-05 | 轴组件 | SHAFT ASM. | | | | | 1 | | |
| 6 | 311.30-05-1 | 轴 | SHAFT | | | | | 1 | | |
| 7 | 311.30-05-2 | 螺钉 | SCREW M5X5 | | | | | 1 | | |
| 8 | 311.30-05-3 | 垫圈 | WASHER | | | | | 1 | | |
| 9 | 311.30-05-4 | 卡簧 | RETAINING RING | | | | | 1 | | |
| 10 | 311.30-05-2 | 螺钉 | SCREW M5X5 | | | | | 2 | | |
| 11 | 311.30-06 | 花边导向器 | LACE LEAD FAVER WARE | | | | | 1 | | |
| 12 | 311.30-07 | 导向器 | LEAD FAVER WARE | | | | | 1 | | |
| 13 | 311.30-09 | 滑块 | BLOCK | | | | | 2 | | |
| 14 | 311.30-10 | 螺钉 | SCREW SM3/32x56 | | | | | 2 | | |
| 15 | 311.30-11 | 支架 | BAR ROCK SHAFT | | | | | 1 | | |
| 16 | 311.30-12 | 轴套 | BUSHING | | | | | 2 | | |
| 17 | 311.30-13 | 支架 | BAR ROCK SHAFT | | | | | 1 | | |
| 18 | 311.30-14 | 螺钉 | SCREW M6X14 | | | | | 4 | | |
| 19 | 311.30-16 | 螺钉 | SCREW | | | | | 1 | | |
| 20 | 311.30-17 | 调节螺母 | NUT | | | | | 1 | | |
| 21 | 311.30-18 | 弹簧 | SPRING | | | | | 1 | | |
| 22 | 311.30-19 | 轴 | SHAFT | | | | | 1 | | |
| 23 | 311.30-20 | 卡簧 | RETAINING RING | | | | | 1 | | |
| 24 | 311.30-21 | 滚柱组件 | ROLL MAST ASM. | | | | | 1 | | |
| 25 | 311.30-22 | 螺钉 | SCREW | | | | | 4 | | |
| 26 | 311.30-23 | 支架 | BAR ROCK SHAFT | | | | | 1 | | |
| 27 | 311.30-24 | 止动片 | STOP STIR PIECE | | | | | 1 | | |
| 28 | 311.30-25 | 螺钉 | SCREW GB818-85 M4X10 | | | | | 1 | | |
| 29 | 311.30-27 | 支架组件 | BAR ROCK SHAFT ASM. | | | | | 1 | | |
| 30 | 311.30-28 | 螺栓 | BOLT | | | | | 1 | | |
| 31 | 311.30-29 | 弹簧垫圈 | WASHER | | | | | 1 | | |
| 32 | 311.30-30 | 螺母 | NUT M4 | | | | | 1 | | |
| 33 | 311.30-31 | 花边导向器 | LACE LEAD FAVER WARE | | | | | 1 | | |
| 34 | 311.30-32 | 螺钉 | SCREW M3X3 | | | | | 2 | | |
| 35 | 311.30-33 | 花边导向器 | LACE LEAD FAVER WARE | | | | | 1 | | |
| 36 | 311.30-35 | 轴 | SHAFT | | | | | 1 | | |
| 37 | 311.30-36 | 杠杆 | HAND LIFTER LINK | | | | | 1 | | |
| 38 | 311.30-37 | 螺钉 | SCREW M3X6 | | | | | 2 | | |
| 39 | 311.30-38 | 垫圈 | WASHER | | | | | 2 | | |
| 40 | 311.30-39 | 支架 | BAR ROCK SHAFT | | | | | 2 | | |
| 41 | 311.30-40 | 螺钉 | SCREW M5X5 | | | | | 4 | | |
| 42 | 311.30-41 | 滚柱 | ROLL MAST | | | | | 1 | | |
| 43 | 311.30-42 | 轴 | SHAFT | | | | | 1 | | |

31. 专用部件 (1) SPECIFIC PARTS (ONE)

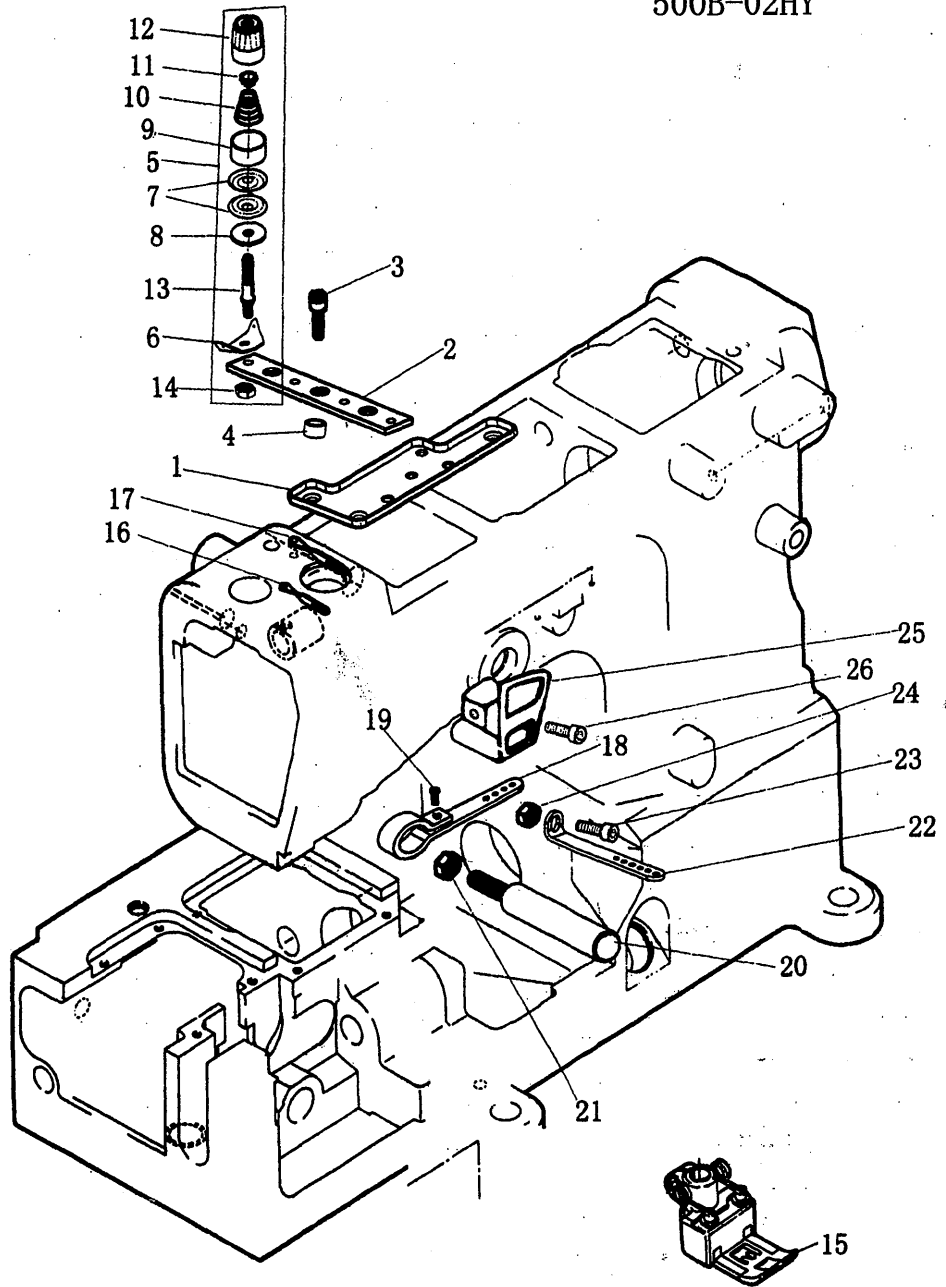
500B-02HY



| 三十一、专用部件 (1) SPECIFIC PARTS (ONE) | | | | | | | | | |
|-----------------------------------|--------------|----------------------------|--|-----|-----|-----|-----|-----|------|
| 序号 | 图号 | 名称 | DESIGNATION | -01 | -02 | -03 | -04 | -05 | 02HY |
| 1 | 338.01-01 | 蜗杆 | WORM | | | | | | 1 |
| 2 | 338.01-01-01 | 蜗杆紧定螺钉 | WORM FIXING NUT M6X8 | | | | | | 6 |
| 3 | 338.01-02 | 蜗轮 | WORM WHEEL | | | | | | 1 |
| 4 | 338.01-03 | 蜗轮花键 | WORM WHEEL SPLINE | | | | | | 1 |
| 5 | 338.01-04 | 蜗轮轴 | WORM WHEEL SHAFT | | | | | | 1 |
| 6 | 338.01-05 | 蜗轮轴轴承 $\phi 15X\phi 32X9$ | WORM WHEEL SHAFT BEARING | | | | | | 3 |
| 7 | 338.01-06 | 蜗轮轴螺母 | WORM WHEEL SHAFT NUT M12X1.25 | | | | | | 1 |
| 8 | 338.01-07 | 偏心轮 | ECCENTRICITY WHEEL | | | | | | 1 |
| 9 | 338.01-07-01 | 偏心轮紧定螺钉 | ECCENTRICITY WHEEL FIXING SCREW M8X12 | | | | | | 3 |
| 10 | 338.01-08 | 支承架 | SUPPORTING STAND | | | | | | 1 |
| 11 | 338.01-08-01 | 滚针轴承 $\phi 12X\phi 16X10$ | NEEDLE BEARING | | | | | | 4 |
| 12 | 338.01-08-02 | 支架固定螺钉 | STAND FIXING SCREW M6X20 | | | | | | 4 |
| 13 | 338.01-09 | 摆动销A | SWING PIN A | | | | | | 1 |
| 14 | 338.01-10 | 摆动销B | SWING PIN B | | | | | | 1 |
| 15 | 338.01-11 | 摆动销垫片 $\phi 8X\phi 21X1$ | SWING PIN WASHER | | | | | | 1 |
| 16 | 338.01-12 | 摆动销螺母 | SWING WASHER NUT M8X1 | | | | | | 1 |
| 17 | 338.01-13 | 摆动连杆组件 | SWING CONNECTING ROD ASM | | | | | | 1 |
| 18 | 338.01-13-01 | 连杆A | CONNECTING ROD | | | | | | 1 |
| 19 | 338.01-13-02 | 连杆A轴承 | CONNECTING ROD BEARING | | | | | | 1 |
| 20 | 338.01-13-03 | 拉杆 | LEVER | | | | | | 1 |
| 21 | 338.01-13-04 | 拉杆螺母 | LEVER NUT | | | | | | 1 |
| 22 | 338.01-13-05 | 拉杆螺母(左旋) | LEVER NUT (LEFT) | | | | | | 1 |
| 23 | 338.01-13-06 | 连杆B | CONNECTING ROD B | | | | | | 1 |
| 24 | 338.01-13-07 | 连杆B连接销 | CONNECTING ROD B CONNECTING PIN | | | | | | 1 |
| 25 | 338.01-13-08 | 垫片 $\phi 5X\phi 15X1$ | WASHER | | | | | | 2 |
| 26 | 338.01-14 | 摆动曲柄 | SWING CRANK | | | | | | 1 |
| 27 | 338.01-14-01 | 滚针轴承 $\phi 5X\phi 9X9$ | NEEDLE BEARING | | | | | | 1 |
| 28 | 338.01-15 | 摆动曲柄螺钉 | SWING CRANK SCREW M5X16 | | | | | | 2 |
| 29 | 338.01-16 | 平面推力滚针组件 | HORIZONTAL PUSHING NEEDLE BEARING ASM | | | | | | 2 |
| 30 | 338.01-16-01 | 平面推力滚针 | HORIZONTAL PUSHING NEEDLE BEARING | | | | | | 2 |
| 31 | 338.01-16-02 | 推力滚针垫片 $\phi 12X\phi 26X1$ | PUSHING NEEDLE BEARING WASHER | | | | | | 4 |
| 32 | 338.01-17 | 摆动轴组件 | SWING SHAFT ASM | | | | | | 1 |
| 33 | 338.01-18 | 垫片 $\phi 5X\phi 15X1$ | WASHER | | | | | | 2 |
| 34 | 338.01-19 | 拉杆组件 | LEVER ASM | | | | | | 2 |
| 35 | 338.01-19-01 | 拉杆接头 | LEVER CONNECTOR | | | | | | 4 |
| 36 | 338.01-19-02 | 拉杆接头滚针 $\phi 5X\phi 9X9$ | LEVER CONNECTOR NEEDLE BEARING | | | | | | 4 |
| 37 | 338.01-19-03 | 拉杆 | LEVER | | | | | | 2 |
| 38 | 338.01-19-04 | 拉杆螺母 | LEVER NUT | | | | | | 2 |
| 39 | 338.01-19-05 | 拉杆螺母(右旋) | LEVER NUT (RIGHT) | | | | | | 2 |
| 40 | 338.01-19-06 | 拉杆销 | LEVER PIN | | | | | | 2 |
| 41 | 338.01-19-07 | 垫片 $\phi 5X\phi 15X1$ | WASHER | | | | | | 4 |
| 42 | 338.01-20 | 拨线座A | DRAWING THREAD SET A | | | | | | 1 |
| 43 | 338.01-21 | 拨线座B | DRAWING THREAD SET B | | | | | | 1 |
| 44 | 338.01-22 | 拨线杆A | DRAWING THREAD BAR A | | | | | | 1 |
| 45 | 338.01-23 | 拨线杆B | DRAWING THREAD BAR B | | | | | | 1 |
| 46 | 338.01-24 | 拨线杆固定螺钉 | DRAWING THREAD BAR FIXING SCREW M3X10 | | | | | | 4 |
| 47 | 338.01-25 | 拨线座螺钉 | DRAWING THREAD SET SCREW M4X6 | | | | | | 8 |
| 48 | 338.01-26 | 拨线座定位销 | DRAWING THREAD POSION PIN | | | | | | 4 |
| 49 | 338.01-27 | 拨线座定位块 | DRAWING THREAD SET POSION PLATE | | | | | | 1 |
| 50 | 338.01-28 | 拨线座定位块固定螺钉 | DRAWING THREAD SET POSION PLATE FIXING SCREW M4X25 | | | | | | 2 |

32. 专用部件 (2) SPECIFIC PARTS (TWO)

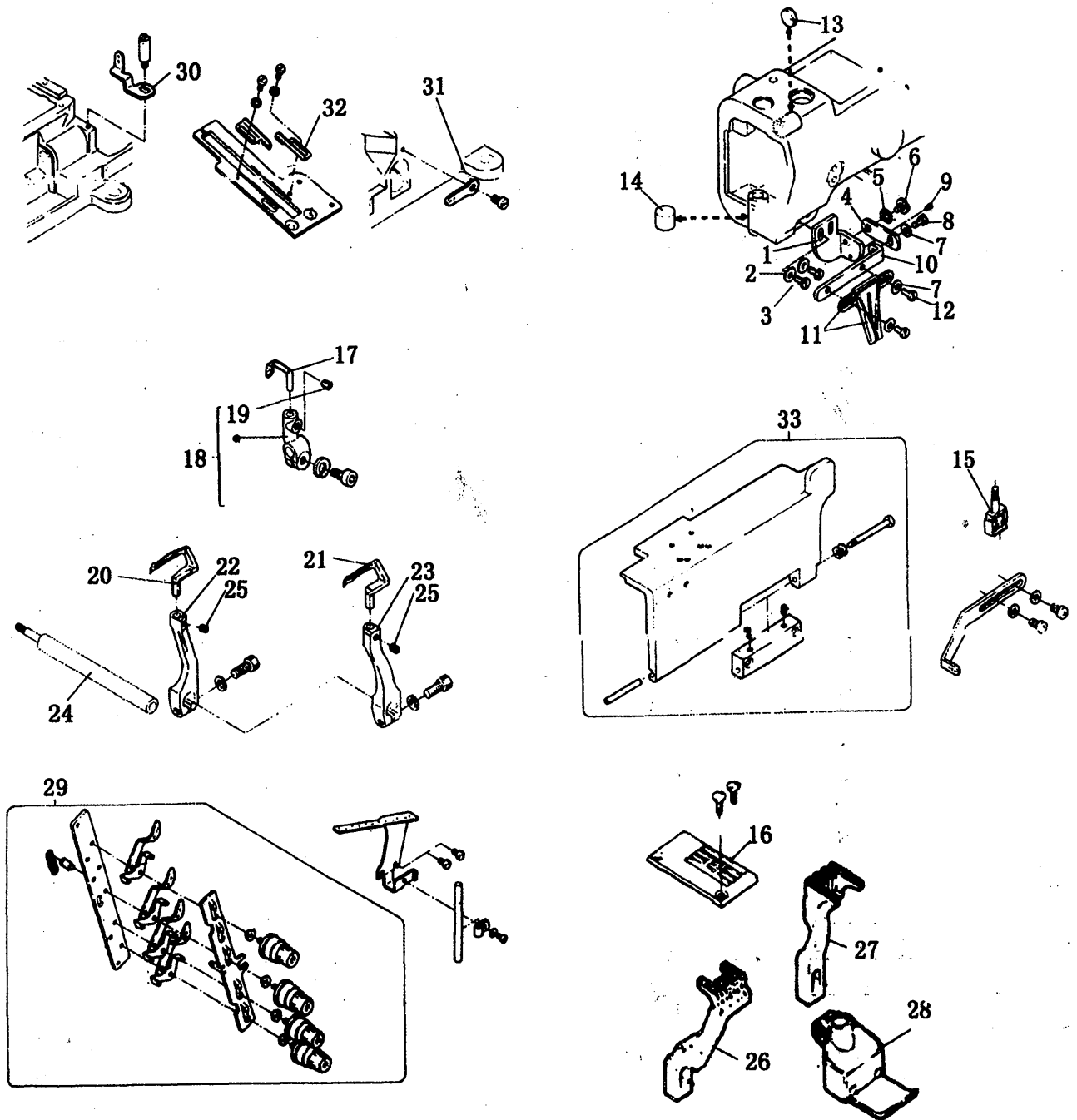
500B-02HY



| 三十二、专用部件 (2) SPECIFIC PARTS (TWO) | | | | | | | | | | |
|-----------------------------------|--------------|-----------|--|-----|-----|-----|-----|-----|------|--|
| 序号 | 图号 | 名称 | DESIGNATION | -01 | -02 | -03 | -04 | -05 | 02HY | |
| 1 | 338.01-29 | 小油盘 | SMALL OIL PAN | | | | | | 1 | |
| 2 | 338.01-30 | 压线座固定架 | PRESS FIXING BRACKET | | | | | | 1 | |
| 3 | 338.01-31 | 压线座固定架螺钉 | PRESS FIXING BRACKET SCREW M5X16 | | | | | | 1 | |
| 4 | 338.01-32 | 压线座固定架垫片 | PRESS FIXING BRACKET WASHER | | | | | | 3 | |
| 5 | 338.01-33 | 压线器组件 | PRESSER ASM | | | | | | 4 | |
| 6 | 338.01-33-01 | 过线板 | THREAD GUIDE PLATE | | | | | | 4 | |
| 7 | 338.01-33-02 | 夹线板 | THREAD TENSION PLATE | | | | | | 8 | |
| 8 | 338.01-33-03 | 羊毛毡 | WOOL FELT | | | | | | 4 | |
| 9 | 338.01-33-04 | 夹线座 | THREAD TENSION SET | | | | | | 4 | |
| 10 | 338.01-33-05 | 夹线弹簧 | THREAD TENSION SPRING | | | | | | 4 | |
| 11 | 338.01-33-06 | 夹线防松圈 | THREAD TENSION PROTECT LOOSING RING | | | | | | 4 | |
| 12 | 338.01-33-07 | 夹线螺母 | THREAD TENSION SCREW | | | | | | 4 | |
| 13 | 338.01-33-08 | 夹线螺钉 | NUT | | | | | | 4 | |
| 14 | 338.01-33-09 | 螺母 | PRESSER FOOT COMPLETE M4 | | | | | | 4 | |
| 15 | 338.01-34 | 压脚组件 | PRESSER FOOT COMPLETE | | | | | | 1 | |
| | 338.01-34-01 | 压脚座 | PRESSER FOOT BRACKET | | | | | | 1 | |
| | 338.01-34-02 | 压杆座 | PRESSER BAR BRACKET | | | | | | 1 | |
| | 338.01-34-03 | 压脚 | PRESSER FOOT COMPLETE | | | | | | 1 | |
| | 338.01-34-04 | 压脚压板 | PRESSER FOOT PLATE | | | | | | 1 | |
| | 338.01-34-05 | 压脚接头 | PRESSER FOOT CONNECTOR | | | | | | 1 | |
| | 338.01-34-06 | 压脚销 | PRESSER FOOT PIN | | | | | | 1 | |
| | 338.01-34-07 | 压脚接头销 | PRESSER FOOT CONNECTION PIN | | | | | | 1 | |
| | 338.01-34-08 | 压杆座弹簧 | PRESSER BAR BRACKET SPRING | | | | | | 1 | |
| | 338.01-34-09 | 压脚压簧 | PRESSER FOOT PRESS SPING | | | | | | 1 | |
| | 338.01-34-10 | 压杆座调节螺钉 | PRESSER BAR SET REGULATING SCREW | | | | | | 1 | |
| | 338.01-34-11 | 压簧螺钉 | PRESSER SPRING SCREW | | | | | | 2 | |
| | 338.01-34-12 | 压脚压板螺钉 | PRESSER FOOT PRESSING PLATE SCREW | | | | | | 1 | |
| | 338.01-34-13 | 压杆座销紧定螺钉 | PRESSER BAR FIXING SCREW | | | | | | 1 | |
| | 338.01-34-14 | 调节螺钉螺母 | REGULATING SCREW NUT | | | | | | 1 | |
| 16 | 338.01-35 | 上过线勾A | UPPER THREAD GUIDE FINGER A | | | | | | 2 | |
| 17 | 338.01-36 | 上过线勾B | UPPER THREAD GUIDE FINGER B | | | | | | 1 | |
| 18 | 338.01-37 | 下过线勾A | LOWER THREAD GUIDE FINGER A | | | | | | 1 | |
| 19 | 338.01-38 | 下过线勾A螺钉 | LOWER THREAD GUIDE FINGER A SCREW M4X8 | | | | | | 1 | |
| 20 | 338.01-39 | 下过线勾A支柱 | LOWER THREAD GUIDE FINGER A STAND | | | | | | 1 | |
| 21 | 338.01-40 | 下过线勾A支柱螺母 | LOWER THREAD GUIDE FINGER A STAND SCREW M4 | | | | | | 1 | |
| 22 | 338.01-41 | 下过线勾B | LOWER THREAD GUIDE FINGER B | | | | | | 1 | |
| 23 | 338.01-42 | 下过线勾B螺钉 | LOWER THREAD GUIDE FINGER B SCREW M4X8 | | | | | | 1 | |
| 24 | 338.01-43 | 下过线勾B螺母 | LOWER THREAD GUIDE FINGER B SCREW M4 | | | | | | 1 | |
| 25 | 338.01-44 | 挑线杆防护罩 | THREAD TAKE-UP LEVER SHAFT SHIELD | | | | | | 1 | |
| 26 | 338.01-45 | 螺钉 | SCREW M4X12 | | | | | | 2 | |

33.专用部件 (1) SPECIFIC PARTS (ONE)

500B-04



| 三十三、专用部件 (1) SPECIFIC PARTS (ONE) | | | | | | | | | |
|-----------------------------------|-----------|---------|--------------------------------------|-----|-----|-----|-----|-----|------|
| 序号 | 图号 | 名称 | DESIGNATION | -01 | -02 | -03 | -04 | -05 | 02HY |
| 1 | 310.33-01 | 卷边龙头支座 | FOLDER BRACKET | | | | 1 | | |
| 2 | 310.33-02 | 垫片 | WASHER | | | | 2 | | |
| 3 | 310.33-03 | 螺钉 | SCREW | | | | 2 | | |
| 4 | 310.33-04 | 侧板 | SIDE PLATE | | | | 1 | | |
| 5 | 310.33-05 | 鞍型垫圈 | WAVE WASHER | | | | 1 | | |
| 6 | 310.33-06 | 螺钉 | SCREW | | | | 1 | | |
| 7 | 310.33-07 | 垫片 | WASHER | | | | 3 | | |
| 8 | 310.33-08 | 外六角螺钉 | SCREW M4X6 | | | | 1 | | |
| 9 | 310.33-09 | 定位螺钉 | ORIENTATION SCREW | | | | 1 | | |
| 10 | 310.33-10 | 卷边龙头固定板 | FOLDER FIXING PLATE | | | | 1 | | |
| 11 | 310.33-11 | 卷边龙头 | FOLDER | | | | 1 | | |
| 12 | 310.33-12 | 螺钉 | SCREW M4X6 | | | | 2 | | |
| 13 | 310.33-13 | 绷针横轴油塞 | OIL SEAL FOR SPREADER CROSSING SHAFT | | | | 1 | | |
| 14 | 310.33-14 | 绷针竖轴油堵 | OIL SEAL FOR SPREADER UPRINAT SHAFT | | | | 1 | | |
| 15 | 310.33-15 | 针夹 | NEEDLE HOLDER | | | | 1 | | |
| 16 | 310.33-16 | 针板 | NEEDLE PLATE | | | | 1 | | |
| 17 | 310.33-17 | 后保针 | REAR NEEDLE GUARD | | | | 1 | | |
| 18 | 310.33-18 | 保针座 | NEEDLE GUARD BASE | | | | 1 | | |
| 19 | 310.33-19 | 螺钉 | SCREW M4X4 | | | | 1 | | |
| 20 | 310.33-20 | 左弯针 | LEFT LOOPER | | | | 1 | | |
| 21 | 310.33-21 | 右弯针 | RIGHT LOOPER | | | | 1 | | |
| 22 | 310.33-22 | 左弯针曲柄 | LEFT LOOPER CRANK | | | | 1 | | |
| 23 | 310.33-23 | 右弯针曲柄 | RIGHT LOOPER CRANK | | | | 1 | | |
| 24 | 310.33-24 | 弯针轴 | LOOPER SHAFT | | | | 1 | | |
| 25 | 310.33-25 | 弯针刀槽螺钉 | LOOPER GROOVE SCREW | | | | 2 | | |
| 26 | 310.33-26 | 差动送布牙 | DIFFERENTIAL FEED DOG | | | | 1 | | |
| 27 | 310.33-27 | 主动送布牙 | MAIN FEED DOG | | | | 1 | | |
| 28 | 310.33-28 | 压脚 (组件) | PRESSER FOOT | | | | 1 | | |
| 29 | 310.33-29 | 夹线器大组件 | THREAD TENSION SPRING ARM | | | | 1 | | |
| 30 | 310.33-30 | 过线板 | THREAD GUIDE PLATE | | | | 1 | | |
| 31 | 310.33-31 | 过线板 | THREAD GUIDE PLATE | | | | 1 | | |
| 32 | 310.33-32 | 下过线板 | LOWER THREAD GUIDE PLATE | | | | 2 | | |
| 33 | 310.33-33 | 穿线单板 | THREAD GUIDE PLATE | | | | 1 | | |

Model CN-897VF
PARTS MANUAL
CONSEW USA